

Product Information Packet

April 26, 2017

Data shown is for the current revision model #. Ensure your nameplate model # matches.

Model Number:	5KS449DAJ6008A
Catalog Number:	V4432
Instruction Manual:	GEK-95352
Connection Diagram:	GEM2034E-FIG19
Outline Drawing:	148CB49VMJKFGAA0001

Accessory Connection Diagrams			
Bearing Thermocouple:	None	Heater:	3027JE-1C
RTD:	None	Thermistor:	None
Thermostat:	None	Winding Thermocouple:	None
Bearing RTD:	None		

Table of Contents

Specification	01
Performance Characteristics	02
Outline Drawing	03
Connection Drawing(s)	04
Spare parts	05



Marks:

MODEL NUMBER:	5KS449DAJ6008A	Estimated Weight:	3600 Lbs
Outline Drawing:	148CB49VMJKFGAA0001	Time Rating:	CONT
Connection Diagram:	GEM2034E-FIG19	Enclosure:	WPI
Instruction Book:	GEK-95352	Encl Construction:	OPEN
Design Code:	49BD1253AB	Ambient Max(°C):	40
Type:	KS	Alt Ambient Max(°C):	--
Frame:	L449TP20	Insulation Class:	H
Phases:	3	NEMA Design:	B
Poles:	4	Nominal Efficiency:	95.8 %
Output Power:	400HP 296KW	Guaranteed Efficiency:	95.0
RPM:	1790	3/4 Load Efficiency:	96.6
Voltage:	460	KVA Code:	G
Hertz:	60	Max KVAR:	79.8
Amps - FL:	439.0	Power Factor:	89.0
Service Factor:	1.15	Bearing - DE:	6217C3
Alt Service Factor:	--	Bearing - ODE:	235A2536AB01

Enclosure is Weather Protected One

Stamped Nameplate Notes:

HTR LDS HE1-HE2 115V 145W
 ROT CCW FACING ODE LEAD/PH SEQ 1-2-3/1-2-3
 INVERTER DUTY PER NEMA MG1 PART 31
 ALTERNATE RATING FOR PWM CONTROL:1.0SF 40C AMBIENT
 VAR TORQUE RANGE 5-60 HZ
 SUITABLE FOR 350 HP, 380V, 50 HZ WITH
 465.0 AMPS AND 1485 RPM AT 1.0 SF

Additional Information:

4 POLE, VERT HOLLOW SHAFT HIGH THRUST (2D)
 SPECIAL BALANCE
 2500 CU IN - 2(4.00" NPT)
 BEARING LIFE 8760 HRS AT 20800 LB THRUST
 C/B GRD PLATE
 OIL RESISTANT SLEEVING ON LEADS
 115V HTR LDS TO MAIN CONDUIT BOX
 COUPLING NOT INCLUDED IN BOM, WILL BE
 ORDERED SEPERATELY
 PART WINDING START

Performance Characteristics

1st Winding 1st Connection

Design: 49BD1253AB

Marks:

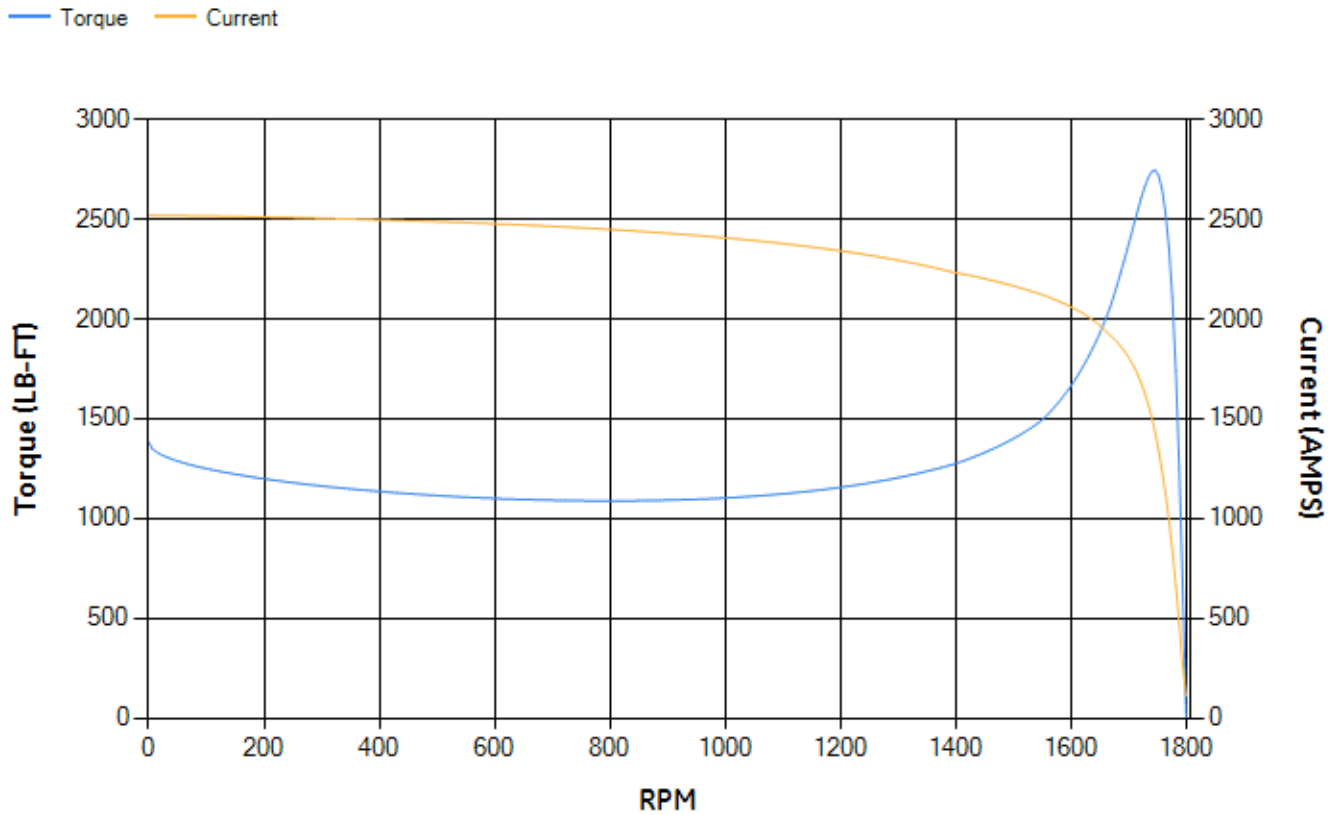
LOAD %	125.0	115.0	100.0	75.0	50.0	25.0	0.0
% EFF	94.74	95.04	95.61	95.83	95.77	94.06	0.00
% PF	88.74	88.95	88.9	87.44	82.23	64.27	4.39
AMPS	556.57	509.3	440.45	335.08	237.71	154.82	111.26

TORQ(FL)#FT	1174.58	TORQ(LR)%FL	117.72	TORQ(BD)%FL	233.56
AMPS(LR)	2518.98	PF AT START	0.25		

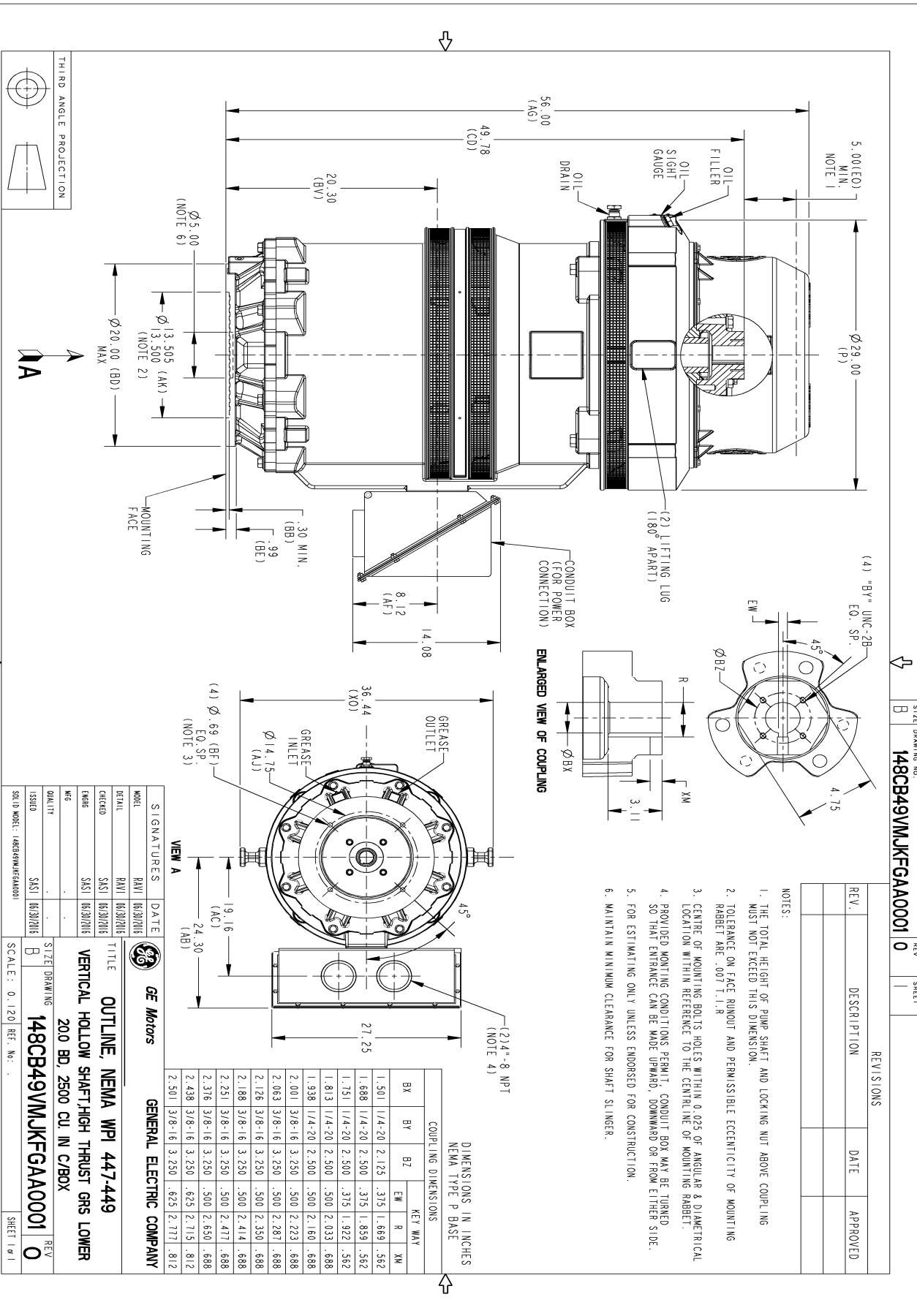
This motor is capable of two cold or one hot start with a maximum connected load inertia of 4732 Lb-Ft Sq (199.22 Kg-meter Sq) at 100% voltage, where the load torque varies with the square of the speed. Acceleration time with maximum inertia and the above load type is 32 seconds. Safe stall time at 100% voltage is 85 seconds cold, 48 seconds hot. Rotor inertia is 130.07 Lb-Ft Sq (5.48 Kg-meter Sq).

Open Circuit A-C:	1.587	Short Circuit D-C:	0.026
Short Circuit A-C:	0.063	X/R Ratio:	9.867
Stator Slots:	72	Rotor Slots:	58

Speed Torque Current Curve (First Connection, First Speed)



Marks:



SIZE DRAWING NO. B 148CB49VMJKFGAA0001 0

REVISONS

REV.	DESCRIPTION	DATE	APPROVED

GE Motors
GENERAL ELECTRIC COMPANY

OUTLINE, NEMA WPI 447-449
VERTICAL HOLLOW SHAFT-HIGH THRUST GRS LOWER
200 BD, 2500 CU. IN. C/BOX

148CB49VMJKFGAA0001

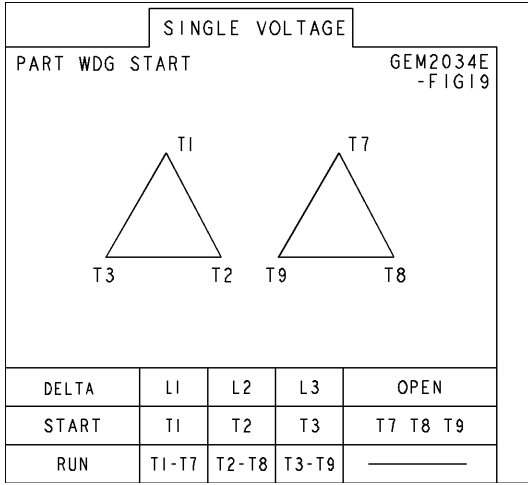
SIGNATURES	DATE
MODEL: 5KS449DAJ6008A	REV: 0
DETAIL: SASI 06/30/2016	DATE: 06/30/2016
DESIGN: SASI 06/30/2016	DATE: 06/30/2016
ENGR: SASI 06/30/2016	DATE: 06/30/2016
CHK: SASI 06/30/2016	DATE: 06/30/2016
ISSUED: SASI 06/30/2016	DATE: 06/30/2016
SOLD TO MODEL: 148CB49VMJKFGAA0001	DATE: 06/30/2016

SCALE: 0.120 REF. No.:

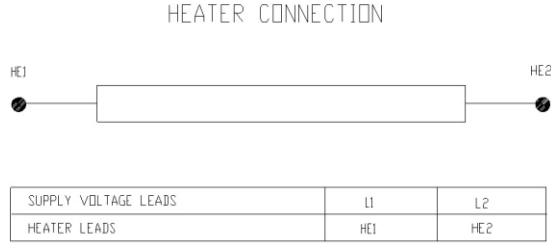
SHEET 1 OF 1

Marks:

Connection Diagram
GEM2034E-FIG19



Heater Connection
3027JE-1C



End shield Assembly		
Part Description	DE Side Part#	ODE Side Part#
End Shield	115E7661AA1	115E7670LA1
Bearing	235A2522AJ01	235A2536AB01
Slinger/Inproseal		

Fan & Fan Cover Assembly	
Part Description	Part#
Fan	
Fan Cover	149C4050AA1

Conduit & Accessories Box Assembly	
Part Description	Part#
Conduit Box	179B9052G01

Mechanical Accessories	
Part Description	Part#
Brake	
Tachometer	