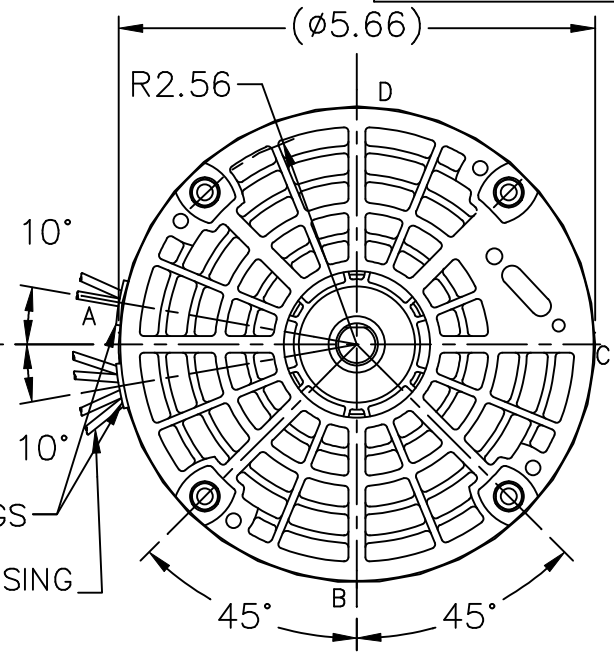
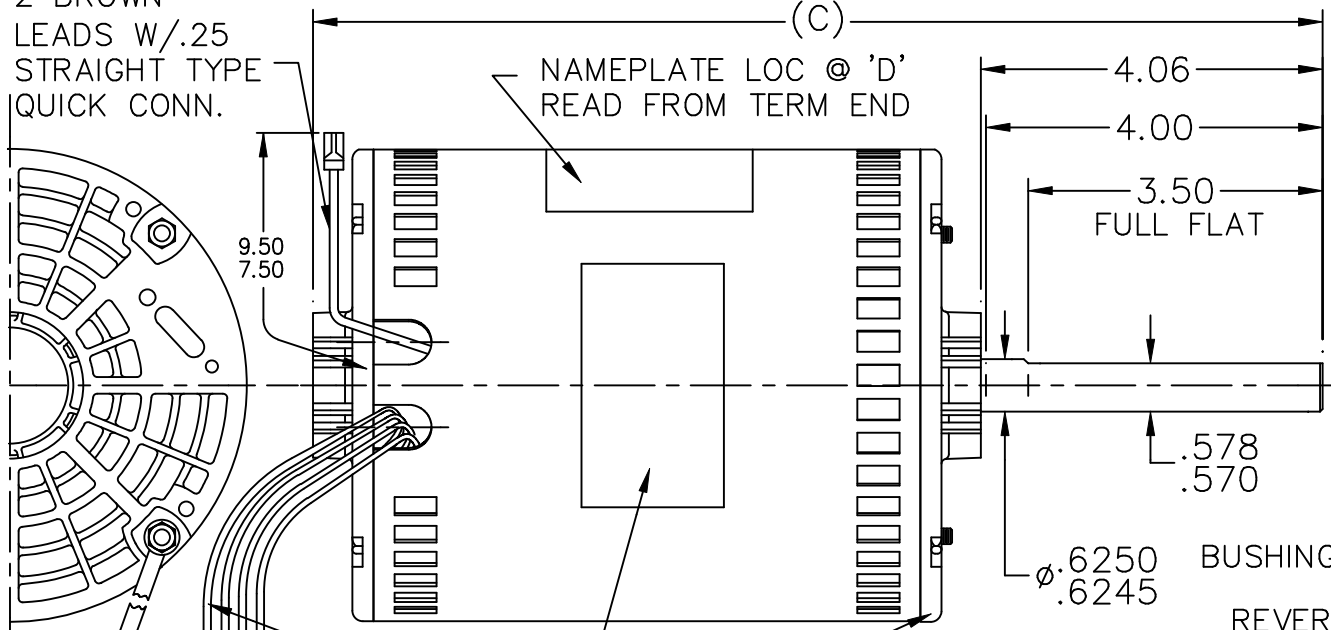
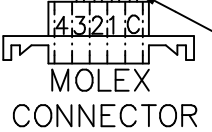


SS73771

2 BROWN
LEADS W/.25
STRAIGHT TYPE
QUICK CONN.



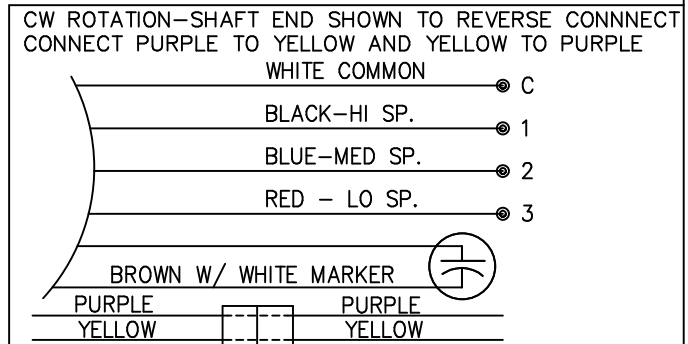
RED
BLUE
BLACK
WHITE



1 GREEN GRD.
LEAD W/TERM
FOR .25 SCREW

DASH	FR	C
675	48	12.25

REVERSING LEADS ARE MOLDED INTO MATING
PULL APART PLUGS. 1 YELLOW AND 1 PURPLE
LEAD PER PLUG. 4.00-6.00 LONG.



NO.	REVISION	BY & DATE	CHK	TOLERANCES UNLESS SPECIFIED		FINISH
				DEC.	INCHES	
6	REV'D TO STRAIGHT TYPE QUICK CONN. CN 29400-1204	NJS 03-20-2003	ML	.XX	±.03	TITLE OUTLINE
5	CLARIFIED NAMEPLATE CN 25600-155	BLR 04-16-1998		.XXX	±.005	48 FR.
4	REDRAWN ON CADD	BLR 03-28-1998		.XXXX	±.0005	MAT'L.
				ANG	±7'30"	



DRAWN	BLR 03-24-1998
CHK	MRB 03-28-1998
APPD	ML 03-28-1998
SCALE	7=16
REF	
FMF	
PREV	

THIS DRAWING IN DESIGN AND DETAIL IS OUR PROPERTY AND MUST NOT BE USED EXCEPT IN CONNECTION WITH OUR WORK ALL RIGHTS OF DESIGN AND INVENTION ARE RESERVED THIS IS AN ELECTRONICALLY GENERATED DOCUMENT - DO NOT SCALE THIS PRINT	RFP	CAD FILE	SS73771	SIZE	DRAWING NO.	PAGE	OF	REV.
	DIST	WP		A	SS73771			6

ERROR: syntaxerror
OFFENDING COMMAND: --nostringval--

STACK:

/RS
-dictionary-
/Pscript_WinNT_Compat
-dictionary-