

# Product Information Packet

January 12, 2017

Data shown is for the current revision model #. Ensure your nameplate model # matches.

<b>Model Number:</b>	<b>5KS324CAG118A</b>
<b>Catalog Number:</b>	<b>E9276</b>
<b>Instruction Manual:</b>	GEI-56128
<b>Connection Diagram:</b>	GEM2034E-FIG7
<b>Outline Drawing:</b>	225B4700AY

Accessory Connection Diagrams			
<b>Bearing Thermocouple:</b>	None	<b>Heater:</b>	None
<b>RTD:</b>	None	<b>Thermistor:</b>	None
<b>Thermostat:</b>	3027JE-2	<b>Winding Thermocouple:</b>	None
<b>Bearing RTD:</b>	None		

Table of Contents	
Specification	01
Performance Characteristics	02
Outline Drawing	03
Connection Drawing(s)	04

**Marks:**

<b>MODEL NUMBER:</b>	<b>5KS324CAG118A</b>	<b>Estimated Weight:</b>	600 Lbs
<b>Outline Drawing:</b>	225B4700AY	<b>Time Rating:</b>	CONT
<b>Connection Diagram:</b>	GEM2034E-FIG7	<b>Enclosure:</b>	TEFC
<b>Instruction Book:</b>	GEI-56128	<b>Encl Construction:</b>	XP
<b>Design Code:</b>	32ED0048A	<b>Ambient Max(°C):</b>	40
<b>Type:</b>	KS	<b>Alt Ambient Max(°C):</b>	XX
<b>Frame:</b>	324TS	<b>Insulation Class:</b>	F
<b>Phases:</b>	3	<b>NEMA Design:</b>	B
<b>Poles:</b>	2	<b>Nominal Efficiency:</b>	92.4 %
<b>Output Power:</b>	40HP 29.6KW	<b>Guaranteed Efficiency:</b>	91.0
<b>RPM:</b>	3550	<b>3/4 Load Efficiency:</b>	92.6
<b>Voltage:</b>	460	<b>KVA Code:</b>	G
<b>Hertz:</b>	60	<b>Max KVAR:</b>	17.1
<b>Amps - FL:</b>	49.4	<b>Power Factor:</b>	82.0
<b>Service Factor:</b>	1.0	<b>Bearing - DE:</b>	6312ZC3
<b>Alt Service Factor:</b>	XX	<b>Bearing - ODE:</b>	6312ZC3

**Enclosure is Totally Enclosed Fan-Cooled**

---

**Stamped Nameplate Notes:**

EXPLOSION PROOF MOTOR  
TEMP CODE T3C  
THERMOSTAT LEADS TB1-TB2:TRIP

**Additional Information:**

STAMP NP249A5571AD AS FOLLOWS:  
CL I GR C&D CL II GR F&G  
2 POLE, TS SHAFT EXTN  
(3)NC THERMOSTAT LEADS TO MAIN CONDUIT BOX  
250 Cu. In. CBOX

**Performance Characteristics**

1st Winding 1st Connection

**Design: 32ED0048A**

**Marks:**

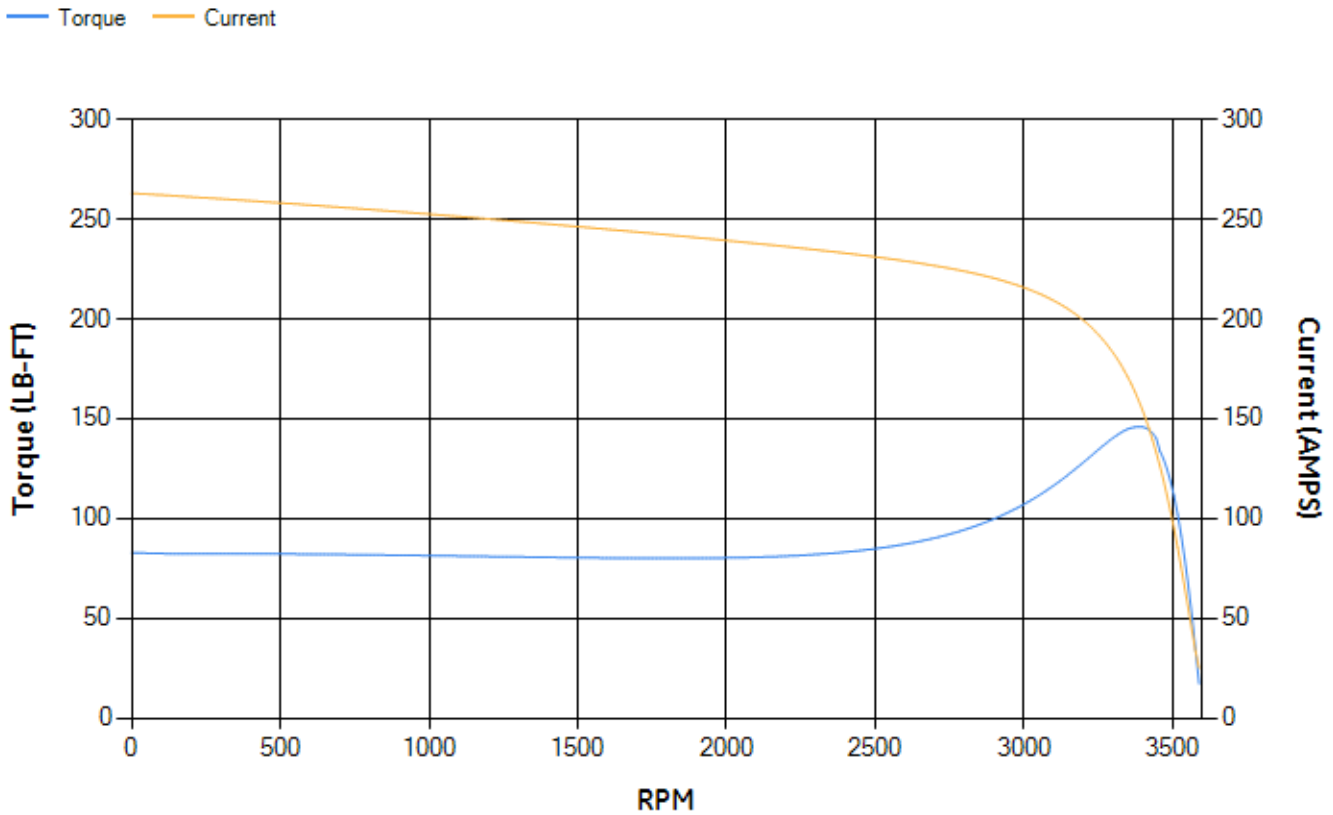
LOAD %	125.0	115.0	100.0	75.0	50.0	25.0	0.0
% EFF	91.81	92.13	92.86	92.61	91.61	86.72	0.00
% PF	83.85	83.29	81.84	77.1	66.76	44.86	5.76
AMPS	60.78	56.1	49.26	39.32	30.61	24.06	20.98

TORQ(FL)#FT	59.22	TORQ(LR)%FL	139.97	TORQ(BD)%FL	246.19
AMPS(LR)	263.02	PF AT START	0.29		

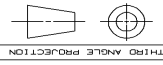
This motor is capable of two cold or one hot start with a maximum connected load inertia of 105 Lb-Ft Sq (4.42 Kg-meter Sq)at 100% voltage, where the load torque varies with the square of the speed. Acceleration time with maximum inertia and the above load type is 17 seconds. Safe stall time at 100% voltage is 43 seconds cold, 20 seconds hot. Rotor inertia is 1.9 Lb-Ft Sq (0.08 Kg-meter Sq).

Open Circuit A-C:	0.418	Short Circuit D-C:	0.022
Short Circuit A-C:	0.03	X/R Ratio:	8.269
Stator Slots:	48	Rotor Slots:	38

**Speed Torque Current Curve (First Connection, First Speed)**



Marks:

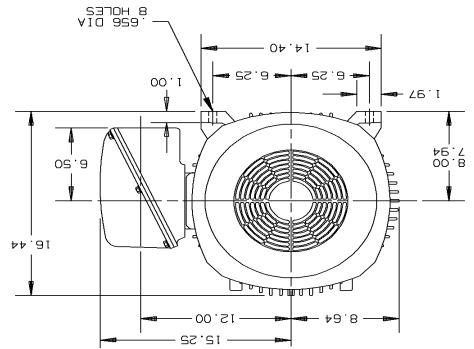
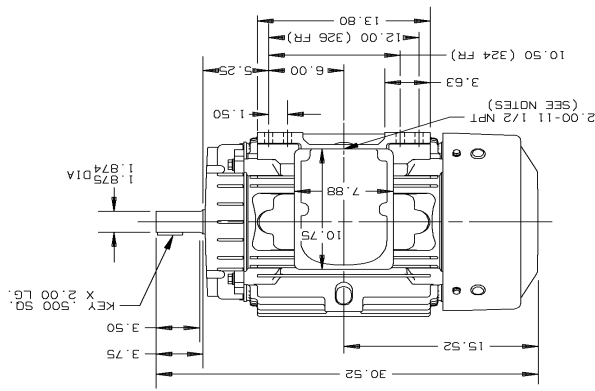


THIRD ANGLE PROJECTION

- NOTES:
1. CONDUIT BOX MAY BE PLACED WITH THE ENTRANCE DOWN, UP, OR ON EITHER SIDE
  2. F-1 ASM AS SHOWN
  3. F-2 ASM HAS CONDUIT BOX ON OPPOSITE SIDE

APPROVED REVISIONS:  
 DATE: 01/30/92  
 DRAWN BY: N. R. BURK  
 CHECKED BY: N. R. B.  
 ENGR: 25  
 1/30/92  
 01/30/92  
 225B4700AY

SCALE: .15	SHEET: 1 OF 1
CAD NO: DMH320:225B4700AY	SIZE: 11
DATE: 01/30/92	FORM NO: 225B4700AY
250 CU. IN. CONDUIT BOX 5K324C9189P	324/326TS FR TFC
OUTLINE (XP)	
Fort Wayne, Indiana	
GE Motors	
METRIC EQUIVALENT 225B4700BA	



REVISIONS

REV	DESCRIPTION	DATE	APPROVED
1	ADDED METRIC EQUIV M8B	02/13/92	

SIZE: 11 DWG NO: 225B4700AY

Marks:

**Connection Diagram**  
GEM2034E-FIG7



**Thermostat Connection**  
3027JE-2

FIG. 2  
THERMOSTAT CONN.

