

Product Information Packet

November 7, 2016

Data shown is for the current revision model #. Ensure your nameplate model # matches.

Model Number:	5KS364ATE204A
Catalog Number:	E7330
Instruction Manual:	GEI-M1023
Connection Diagram:	GEM-M1013
Outline Drawing:	358B6219AA

Accessory Connection Diagrams			
Bearing Thermocouple:	None	Heater:	None
RTD:	None	Thermistor:	None
Thermostat:	None	Winding Thermocouple:	None
Bearing RTD:	None		

Table of Contents	
Specification	01
Performance Characteristics	02
Outline Drawing	03
Connection Drawing(s)	04



Marks:

MODEL NUMBER:	5KS364ATE204A	Estimated Weight:	768 Lbs
Outline Drawing:	358B6219AA	Time Rating:	CONT
Connection Diagram:	GEM-M1013	Enclosure:	DP
Instruction Book:	GEI-M1023	Encl Construction:	OPEN
Design Code:	36AD1005B	Ambient Max(°C):	40
Type:	KS	Alt Ambient Max(°C):	--
Frame:	364T	Insulation Class:	F
Phases:	3	NEMA Design:	A
Poles:	4	Nominal Efficiency:	95.0 %
Output Power:	60HP 44.4KW	Guaranteed Efficiency:	94.1
RPM:	1785	3/4 Load Efficiency:	94.7
Voltage:	575	KVA Code:	J
Hertz:	60	Max KVAR:	23.7
Amps - FL:	58	Power Factor:	78.5
Service Factor:	1.15	Bearing - DE:	6314
Alt Service Factor:	--	Bearing - ODE:	6313

Enclosure is Dripproof

Stamped Nameplate Notes:**Additional Information:**

4 POLE DRIP PROOF
 CONDUIT BOX MATERIAL: STAMPED STEEL
 CONDUIT BOX VOL: 550 CU IN
 NO. OF MOTOR LEADS: 6
 GREASE TYPE: CHEVRON SRI-2 POLYUREA
 SOUND POWER DATA: 76.8
 INVERTER DUTY PER NEMA MG1 PART 31
 FOR VARIABLE TORQUE LOADS

Performance Characteristics

1st Winding 1st Connection

Design: 36AD1005B

Marks:

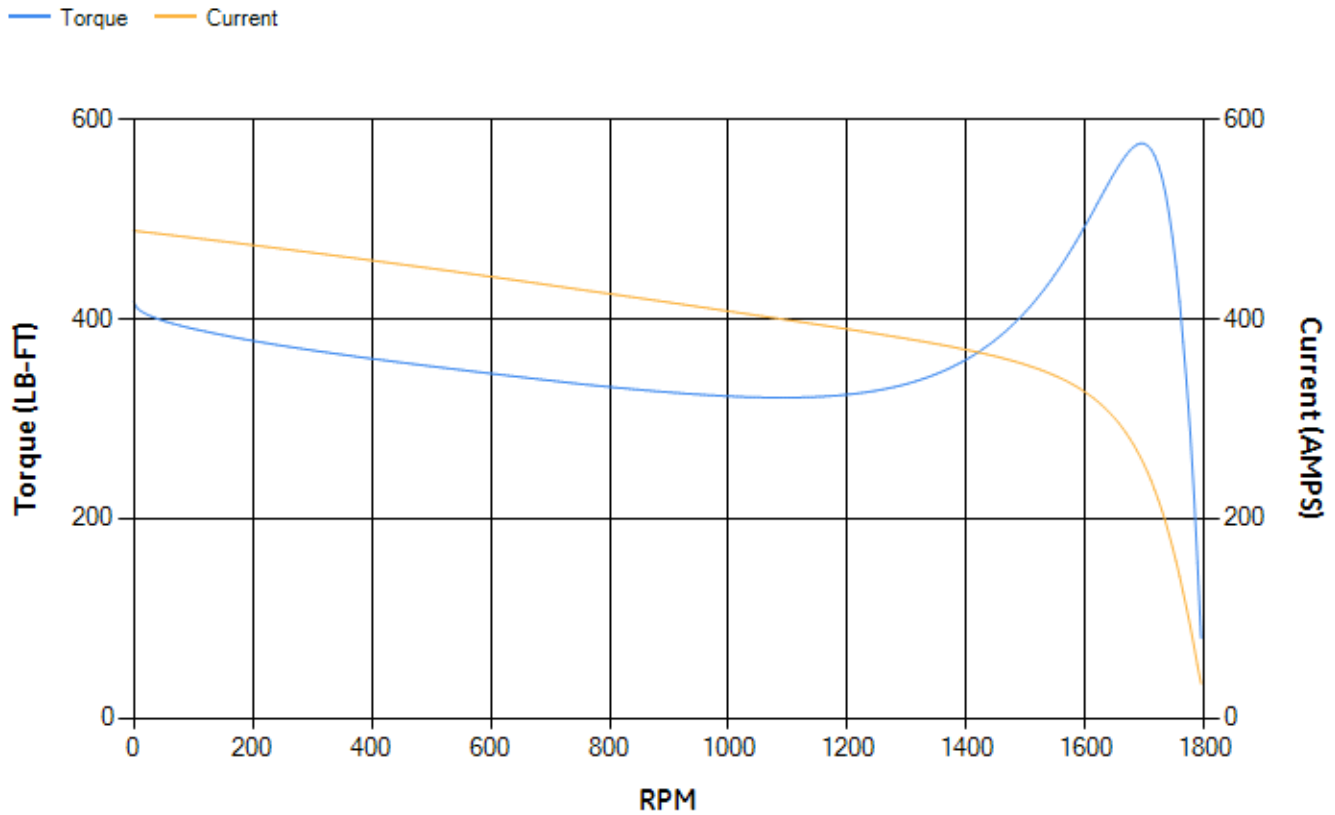
LOAD %	125.0	115.0	100.0	75.0	50.0	25.0	0.0
% EFF	94.67	94.79	95.09	94.75	93.81	90.01	0.00
% PF	82.93	82.36	80.94	76.3	66.2	44.42	4.69
AMPS	71.52	66.18	58.37	46.61	36.17	28.09	24.18

TORQ(FL)#FT	176.59	TORQ(LR)%FL	236.26	TORQ(BD)%FL	325.41
AMPS(LR)	488.39	PF AT START	0.3		

This motor is capable of two cold or one hot start with a maximum connected load inertia of 1562 Lb-Ft Sq (65.76 Kg-meter Sq)at 100% voltage, where the load torque varies with the square of the speed. Acceleration time with maximum inertia and the above load type is 29 seconds. Safe stall time at 100% voltage is 50 seconds cold, 41 seconds hot. Rotor inertia is 12.38 Lb-Ft Sq (0.52 Kg-meter Sq).

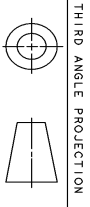
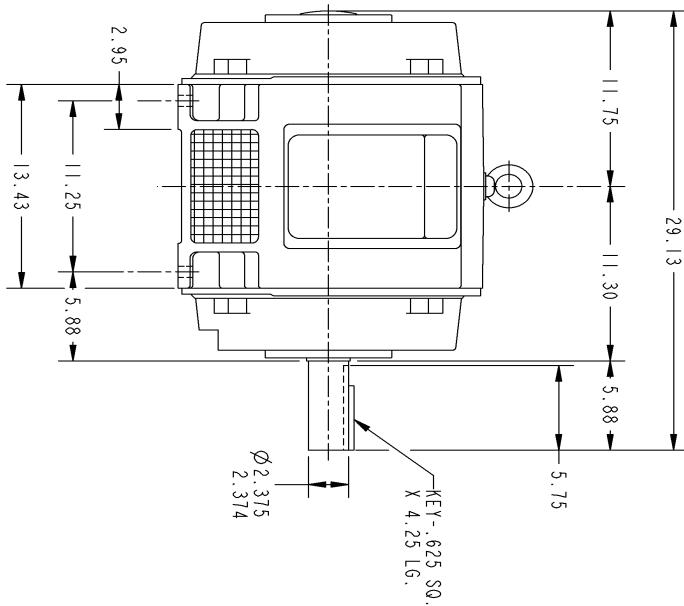
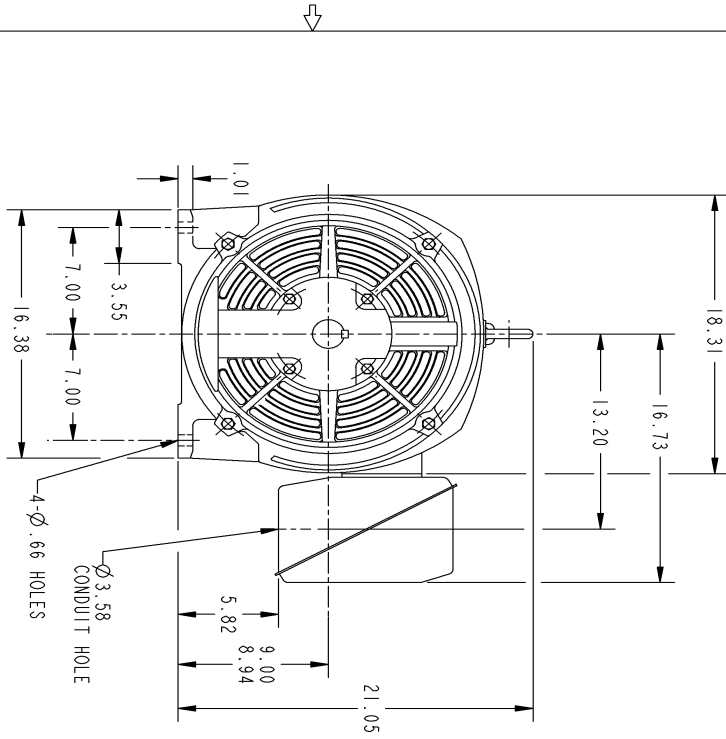
Open Circuit A-C:	0.668	Short Circuit D-C:	0.03
Short Circuit A-C:	0.033	X/R Ratio:	11.233
Stator Slots:	48	Rotor Slots:	40

Speed Torque Current Curve (First Connection, First Speed)



NAME:501053131 OBJECT:358B6219AA DATE:02-May-07 09:10:20

Marks:



THIRD ANGLE PROJECTION

NOTES :

1. CONDUIT BOX MAY BE PLACED WITH THE ENTRANCE DOWN, UP OR ON EITHER SIDE.
2. F-1 ASM AS SHOWN.
3. F-2 ASM - HAS CONDUIT BOX ON OPPOSITE SIDE.

THIS DRAWING IS THE PROPERTY OF GENERAL ELECTRIC COMPANY (GEC) AND WILL BE RETURNED TO GEC UPON REQUEST. THIS DRAWING IS LOANED TO THE USER UNDER THE CONDITION THAT THE USER WILL NOT REPRODUCE OR TRANSMIT THIS DRAWING IN ANY MANNER WITHOUT THE WRITTEN PERMISSION OF GEC. THIS DRAWING IS NOT TO BE USED FOR REPRODUCTION OR SUBJECT TO OTHER RESTRICTIONS UNDER U.S. COPYRIGHT LAW.

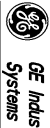
GE PROPRIETARY INFORMATION

SIZE: DRAWING NO: **358B6219AA**

REVISIONS

REV.	DESCRIPTION	DATE	APPROVED
1	ISAAC 07-0770	04/27/07	RHONDA

UNLESS OTHERWISE SPECIFIED: DIMENSIONS ARE IN INCHES	SIGNATURES	DATE
DRAWN: PRABHAKAR 03/27/03	CHECKED: PRABHAKAR 03/27/03	ENGINEER: PRABHAKAR 03/27/03
TOLERANCE ON: 2 PL. DECIMALS ± .01 3 PL. DECIMALS ± .005 ANGLES ± 1°	ISSUED: PRABHAKAR 03/27/03	APPLIED PRACTICES



GE Industrial Systems
GENERAL ELECTRIC COMPANY
Fort Wayne, Indiana

OUTLINE
364T - OPEN DRIP PROOF
358B6219AA
SCALE: DRAWING SCALE
SHEET 1 OF 1

DISTRIBUTION:

Marks:

Connection Diagram GEM-M1013

NAME: 103013756 OBJECT: GEM-M1013 DATE: 01-Apr-05 17:31:03

REVISIONS	
REF.	DESCRIPTION

THIRD ANGLE PROJECTION

APPROVED

ACROSS THE LINE START		
VOLTS	L1	L2
Δ RUN	T1-T6	T2-T4
Δ	L1	L2
Δ	L2	L3
Δ	T1-T6	T2-T4
Δ	T2-T4	T3-T5

SIGNATURES		DATE	
DESIGNED BY			
CHECKED BY			
APPROVED BY			
DATE			

GENERAL ELECTRIC COMPANY

CONNECTION DIAGRAM

GEM-M1013 SHEET 1 of 1