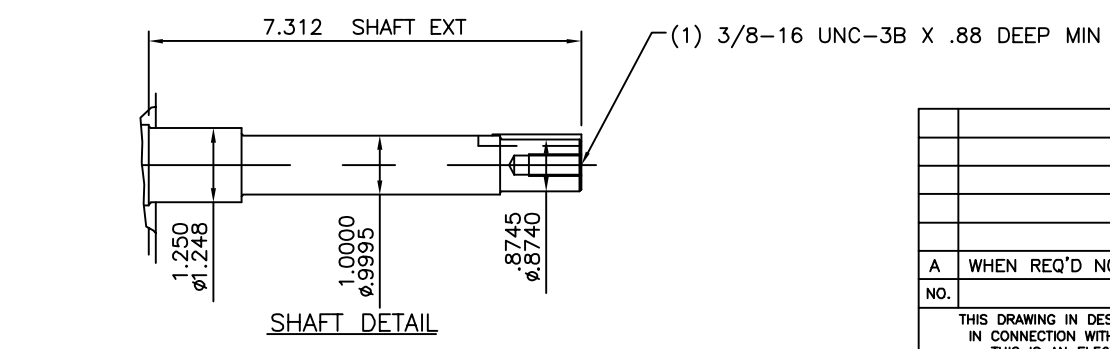
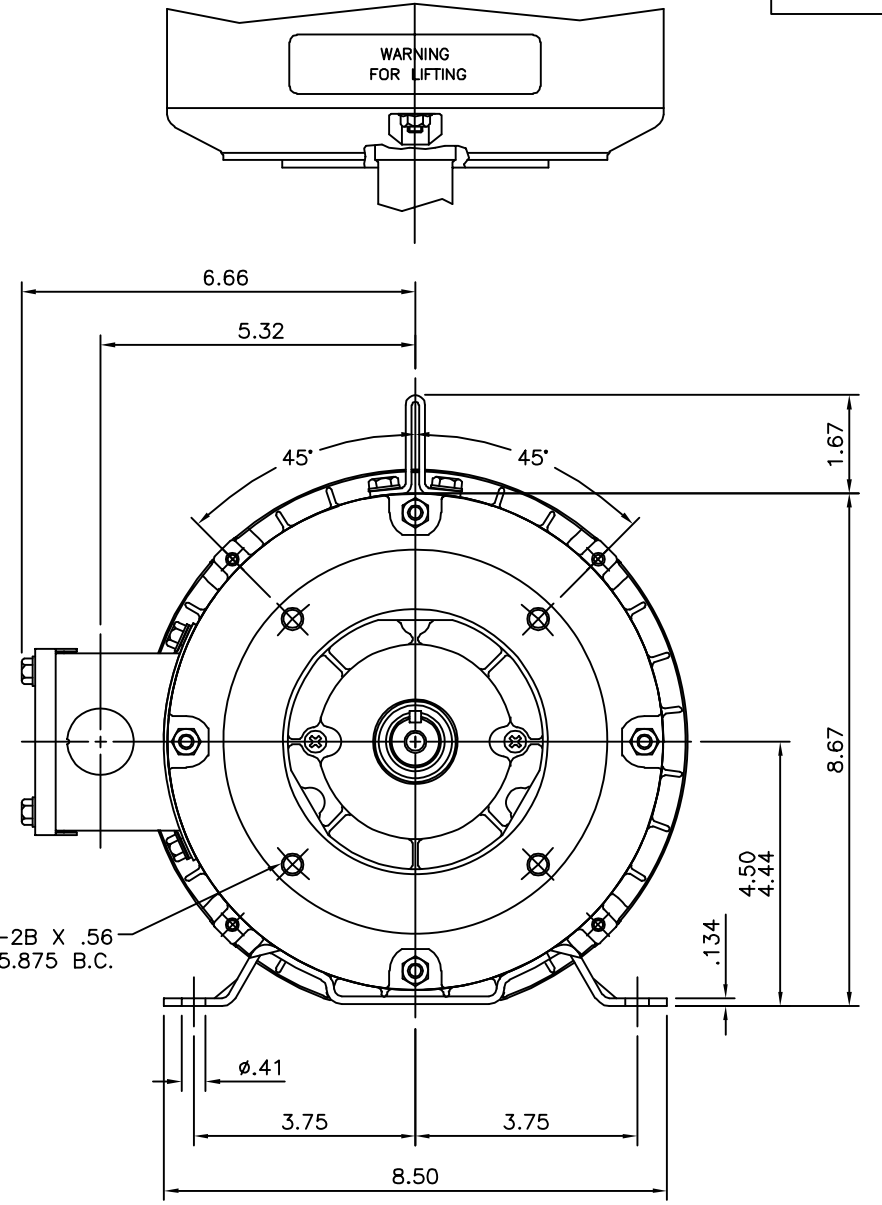
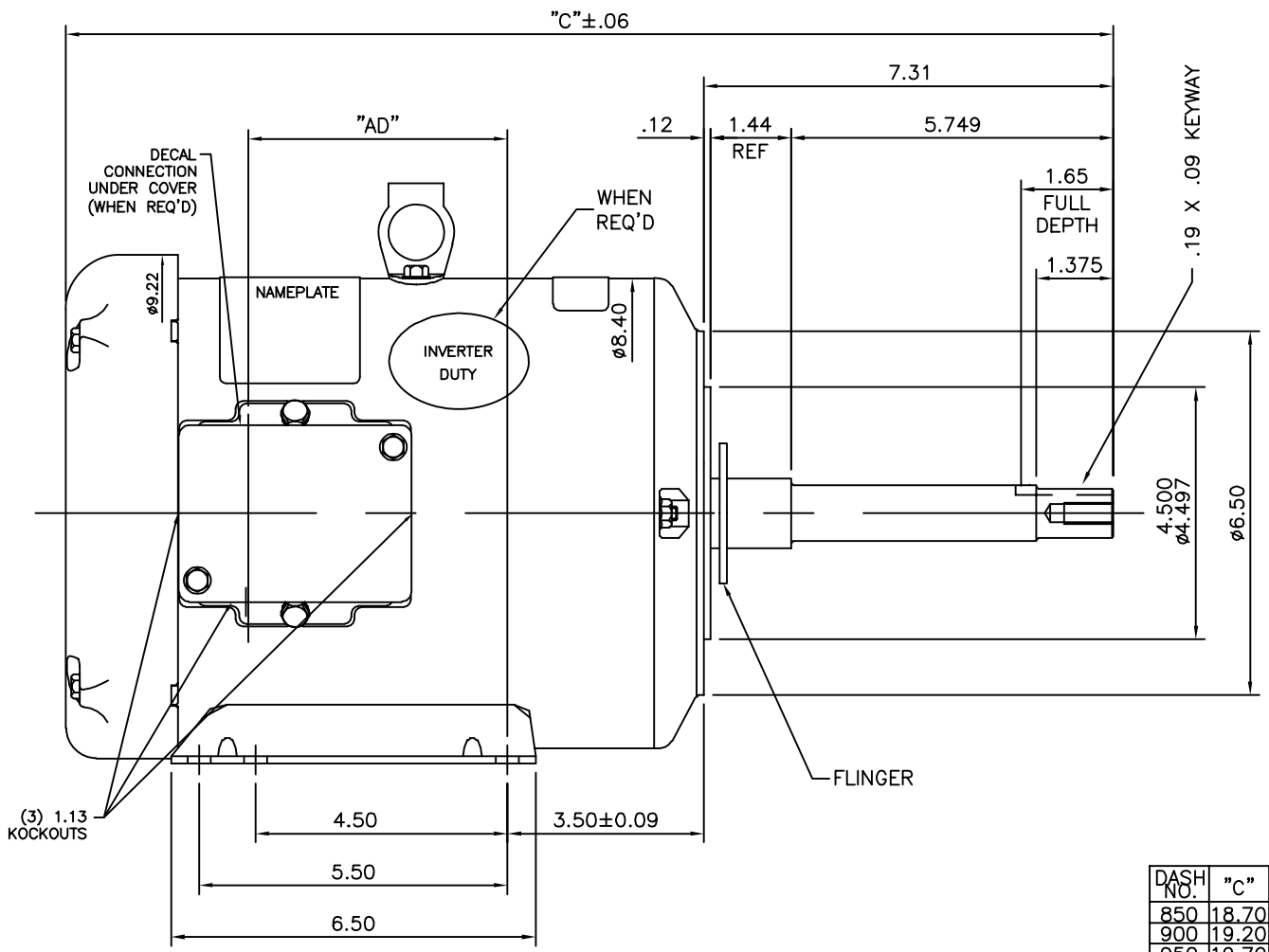


035600



DASH NO.	"C"	"AD"
850	18.70	4.63
900	19.20	5.13
950	19.70	5.63
1000	20.20	7.13
1050	20.70	7.63
1100	21.20	8.13
1150	21.70	8.63

GASKETS THROUGHOUT  
 MAXIMUM FACE RUNOUT TO BE .004 T.I.R.  
 MAXIMUM PILOT ECCENTRICITY TO BE .004 T.I.R.  
 PERMISSIBLE SHAFT RUNOUT TO BE .008 T.I.R.

		TOLERANCES UNLESS SPECIFIED		MARATHON ELECTRIC		DRAWN
		DEC.	INCHES			VW 08/16/07
		.X	±.1			CHK
		.XX	±.03	TITLE		APPD
		.XXX	±.005	OUTLINE - 180 FRAME		SCALE 3=8
A		WHEN REQ'D NOTE ADDED PER ECO-0043876	UD 01/21/14 GR	TEFC - JP PUMP MOUNT		REF 035546
NO.		REVISION	BY & DATE	MAT'L.		FMF 184TFW8914
				FINISH STOCK		PREV
		THIS DRAWING IN DESIGN AND DETAIL IS OUR PROPERTY AND MUST NOT BE USED EXCEPT IN CONNECTION WITH OUR WORK ALL RIGHTS OF DESIGN AND INVENTION ARE RESERVED THIS IS AN ELECTRONICALLY GENERATED DOCUMENT - DO NOT SCALE THIS PRINT		RFP	CAD FILE 035600	SIZE B
				DIST	DRAWING NO. 035600	REV. A