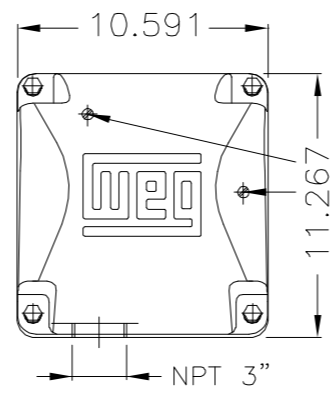


EIXO/SHAFT	
PADRÃO/STANDARD	X
OPCIONAL/OPTIONAL	
ESPECIAL/SPECIAL	

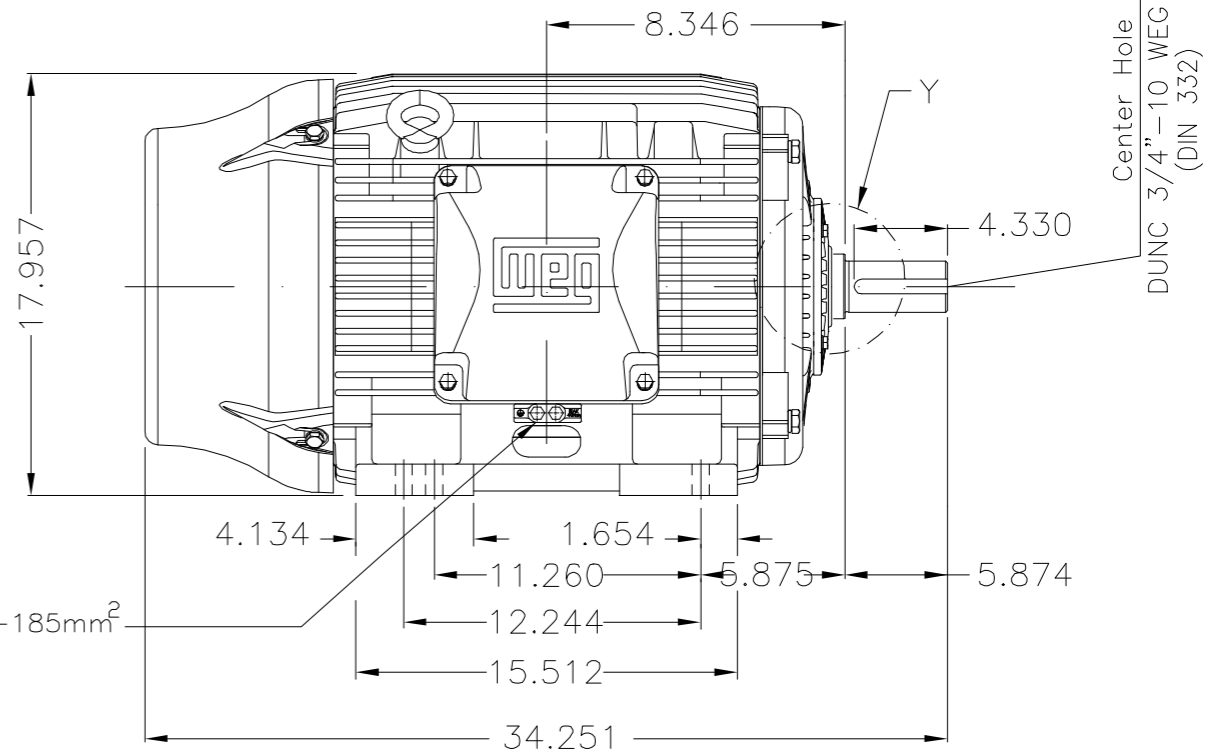
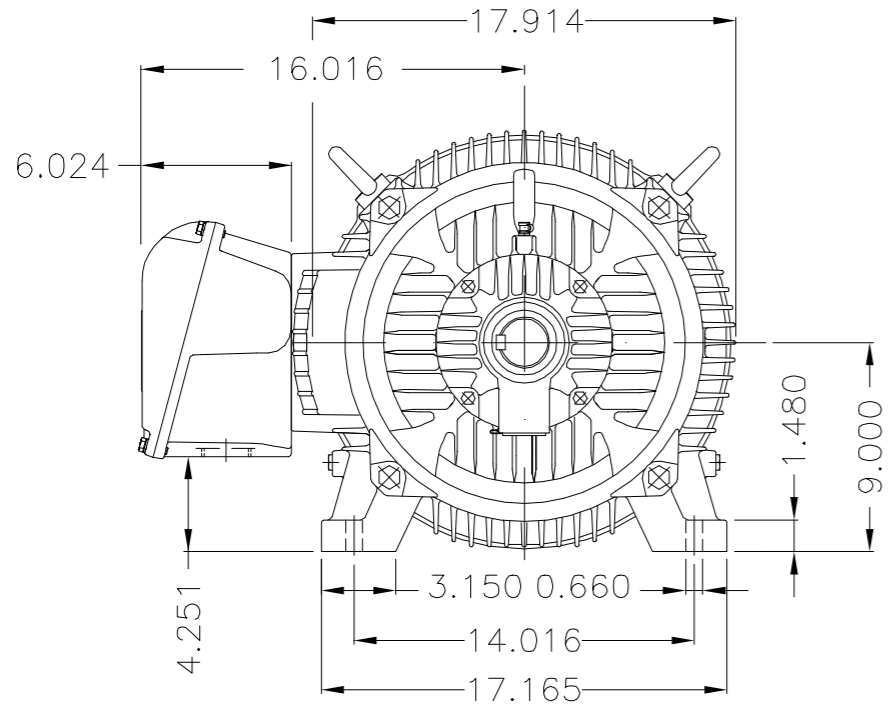
Dimensões em polegadas  
Dimensions in inches

THIS IS AN UPDATED REVISION, THE PREVIOUS ONE MUST BE DISREGARDED.



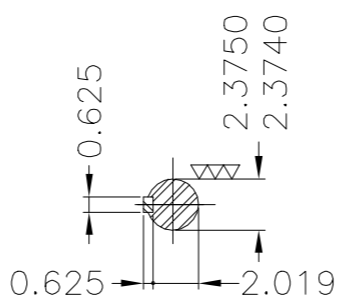
Main terminal box

Grounding for leads 25-50mm<sup>2</sup>



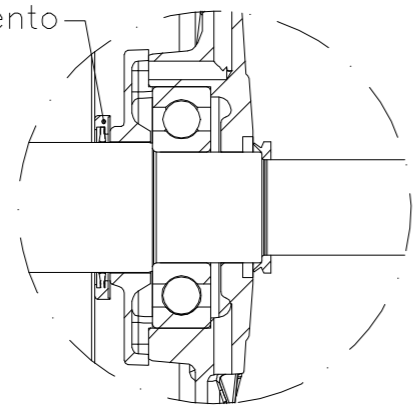
Center Hole  
DUNC 3/4"-10 WEG TBG12  
(DIN 332)

Grounding for leads 25-185mm<sup>2</sup>



DE Shaft End

Anel de aterramento



Detail Y

Kit porta escova de aterramento AEGIS interno na tampa dianteira /  
Brush holder Kit AEGIS internal D.E.  
Plano de pintura 203A / Painting plan 203A  
Forma construtiva NEMA F-1 / Mounting NEMA F-1  
Forma construtiva B3D / Mounting B3R(D)

WEG ELECTRIC CORP.

500001025383		RETIRADO NOTA TAMPA ISOLADA	ITALOGRAHL	ITALOGRAHL	15.04.2015	03
500000893425		RETIRADO CARIMBO LOTE PILOTO	WILLIANR	DWAGNER	22.05.2014	02
ECM	LOC	SUMMARY OF MODIFICATIONS	EXECUTED	CHECKED	RELEASED	DATE
EXECUTED	PATRICKL	THREE PHASE W22 MOTOR - NEMA PREMIUM EFF				
CHECKED		FRAME 364/5T IP55				
RELEASED	ALCHINI					
REL DT	10.02.2014	WMO	JARAGUA DO SUL	ENGENHARIA DE PRODUTO	10002700161	000   03
					SHEET	1 / 1

OV: 3053340  
PC: ATL000021712

75 HP 04 Poles 60Hz



UNCONTROLLED COPY RELEASED ZME A3