

Product Information Packet

November 9, 2016

Data shown is for the current revision model #. Ensure your nameplate model # matches.

Model Number:	5KS184SAA105D3
Catalog Number:	M240
Instruction Manual:	GEI-56128
Connection Diagram:	GEM2034E-FIG3
Outline Drawing:	4002B5818PAP5201

Accessory Connection Diagrams

Bearing Thermocouple:	None	Heater:	None
RTD:	None	Thermistor:	None
Thermostat:	None	Winding Thermocouple:	None
Bearing RTD:	None		

Table of Contents

Specification	01
Performance Characteristics	02
Outline Drawing	03
Connection Drawing(s)	04
Spare parts	05



Marks:

MODEL NUMBER:	5KS184SAA105D3	Estimated Weight:	101 Lbs
Outline Drawing:	4002B5818PAP5201	Time Rating:	CONT
Connection Diagram:	GEM2034E-FIG3	Enclosure:	TEFC
Instruction Book:	GEI-56128	Encl Construction:	X\$D
Design Code:	18BD0103A	Ambient Max(°C):	40
Type:	KS	Alt Ambient Max(°C):	65
Frame:	184T	Insulation Class:	H
Phases:	3	NEMA Design:	B
Poles:	2	Nominal Efficiency:	88.5 %
Output Power:	5HP 3.7KW	Guaranteed Efficiency:	87.5
RPM:	3530	3/4 Load Efficiency:	89.3
Voltage:	230/460	KVA Code:	J
Hertz:	60	Max KVAR:	1.9
Amps - FL:	13.2/6.6	Power Factor:	80.5
Service Factor:	1.25	Bearing - DE:	6206ZC3
Alt Service Factor:	1.00	Bearing - ODE:	6206ZC3

Enclosure is Totally Enclosed Fan-Cooled

Stamped Nameplate Notes:

SF AMPS 15.8/7.9
 STAMP NP249A5564P051 AS BELOW:
 MODEL:5KS184SAA105D3 S/N: XXX
 CSA CERTIFIED CSA09.2216219 FOR EX NA IIC 200C GC
 CL 1 ZONE2 AEX NA IIC 200C;CL 1 DIV2 GRP ABCD 200C
 IN -40C <= AMB <= 40C, 1.0 SF ON SINE-WAVE PWR
 SURF TEMP 200C AT 1.25SF ON SINE-WAVE PWR
 OR 200C VT OR 215C CT OR 200C CHP PWM CONTROL
 ALTERNATE RATING FOR PWM CONTROL 1.0SF 40C AMB
 VT 0 - 60 HZ, CT 3-60 HZ, CHP 60-90 HZ.

Additional Information:

2P - T EXTN
 STANDARD FLOOR MOUNT
 C/BOX 30 CU IN-0.75 NPT
 F1 CONDUIT BOX MOUNTING
 OIL RESISTANT SLEEVING ON LEADS

Performance Characteristics

1st Winding 1st Connection

Design: 18BD0103A

Marks:

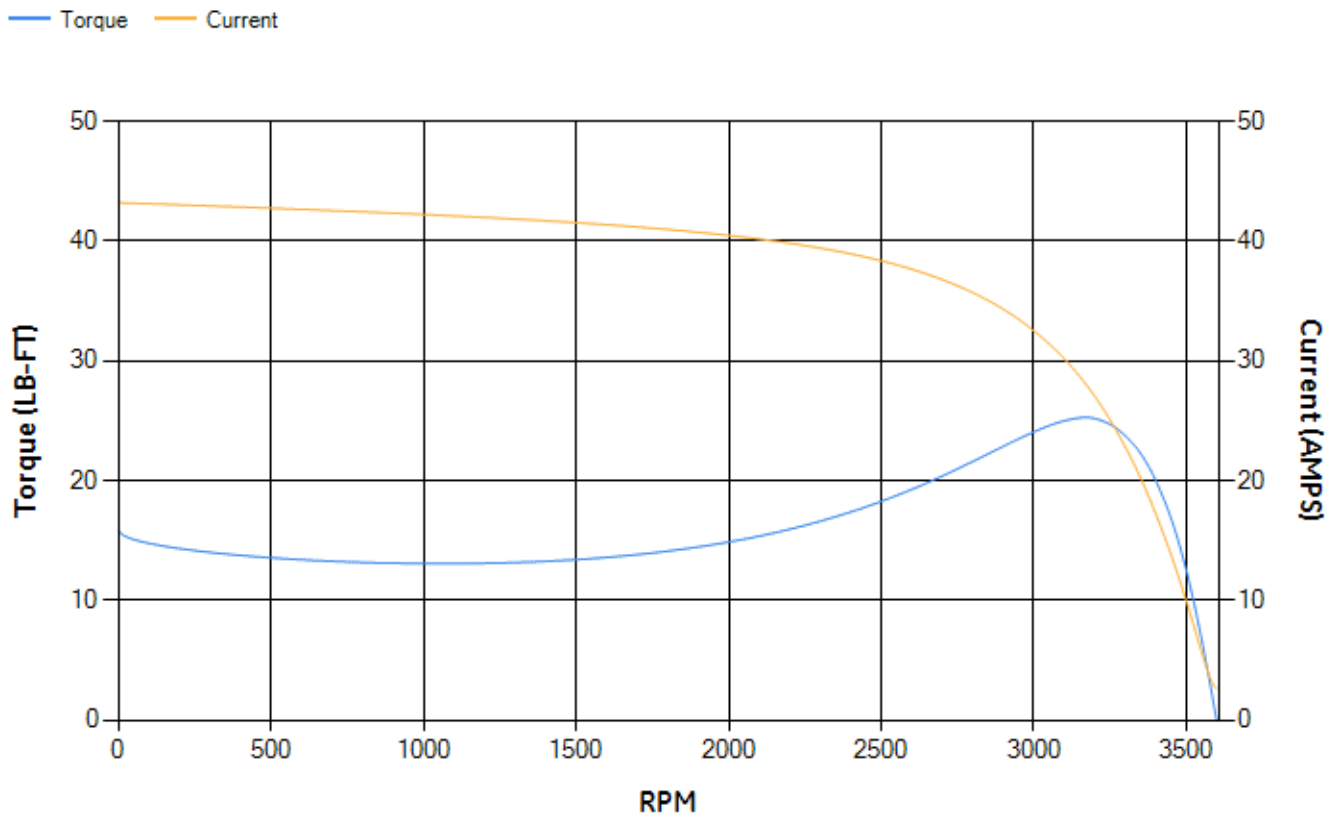
LOAD %	125.0	115.0	100.0	75.0	50.0	25.0	0.0
% EFF	88.58	88.92	89.48	89.29	87.84	81.49	0.00
% PF	83.43	82.52	84.25	74.86	63.69	42.37	9.05
AMPS	7.92	7.33	6.21	5.25	4.18	3.39	2.61

TORQ(FL)#FT	7.44	TORQ(LR)%FL	213.31	TORQ(BD)%FL	337.03
AMPS(LR)	43.21	PF AT START	0.4		

This motor is capable of two cold or one hot start with a maximum connected load inertia of 45 Lb-Ft Sq (1.89 Kg-meter Sq)at 100% voltage, where the load torque varies with the square of the speed. Acceleration time with maximum inertia and the above load type is 38 seconds. Safe stall time at 100% voltage is 77 seconds cold, 56 seconds hot. Rotor inertia is 0.16 Lb-Ft Sq (0.01 Kg-meter Sq).

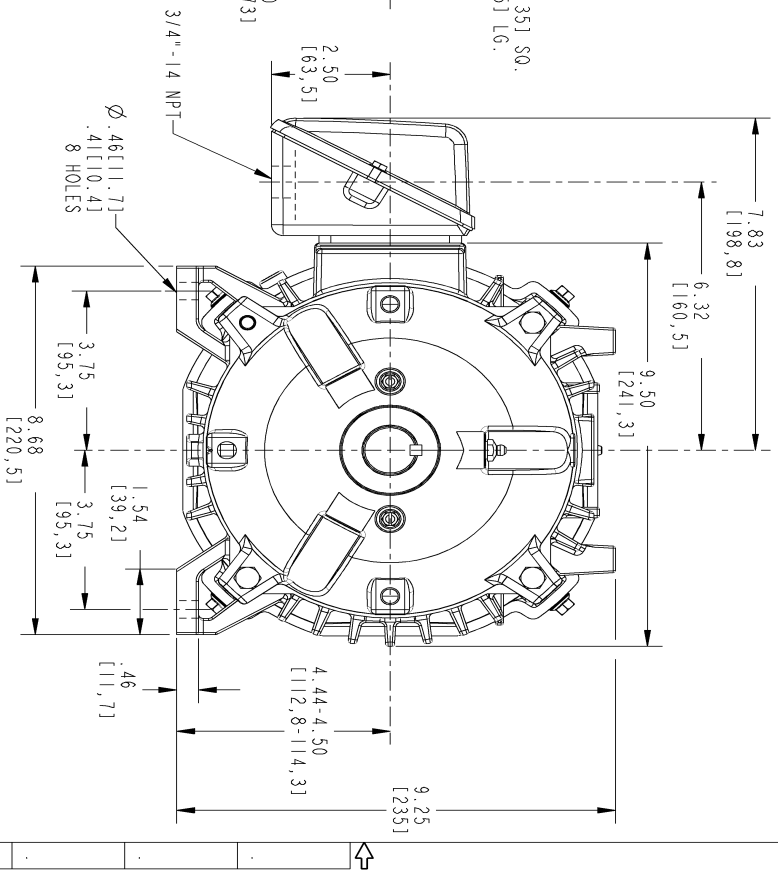
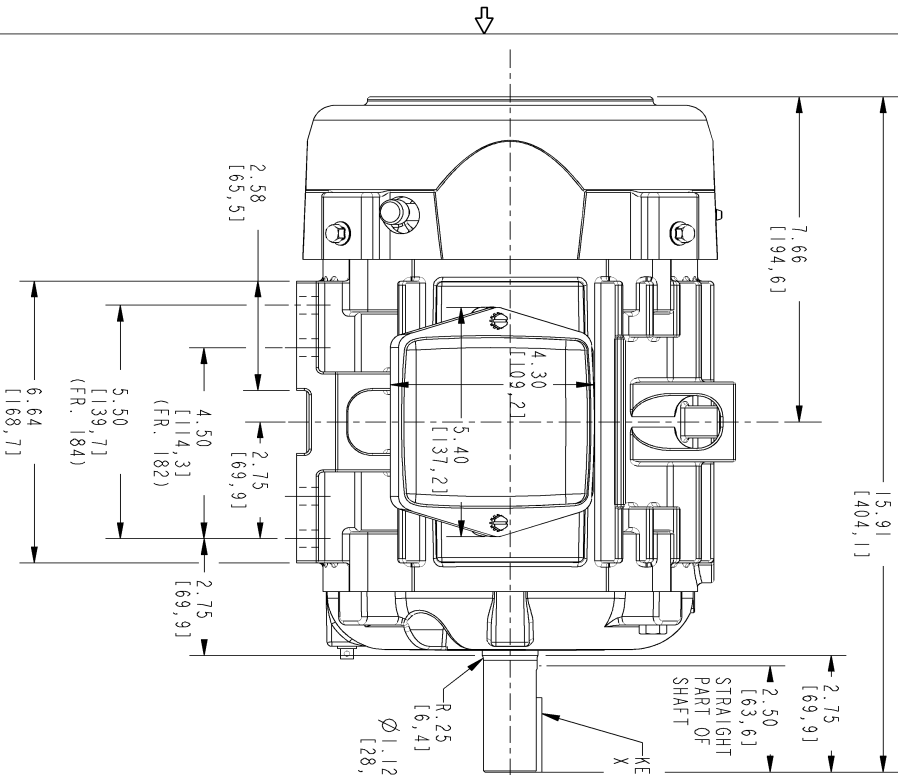
Open Circuit A-C:	0.305	Short Circuit D-C:	0.01
Short Circuit A-C:	0.017	X/R Ratio:	3.956
Stator Slots:	36	Rotor Slots:	28

Speed Torque Current Curve (First Connection, First Speed)



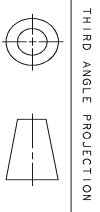
Marks:

NOTE 1: CONDUIT BOX MAY BE ASSEMBLED WITH ENTRANCE UP, DOWN OR TO EITHER SIDE.
 NOTE 2: F1 ASSEMBLY AS SHOWN. F2 ASSEMBLY CONDUIT BOX ON OPPOSITE SIDE FROM SHOWN LOCATION.



REV.	DESCRIPTION	DATE	APPROVED
1	DUAL DIMENSION ADDED SWITCH	11/22/07	HEMANTH
2	ISAC# 12-0387	04/14/2012	HARIKIRAN
3	ISAC#14-0583	07/17/14	MAAYATHA
4	ISAC#15-0206	03/05/15	V.JAY

SIZE DRAWING NO. 4002B5818PAP5201 SH 4 REV

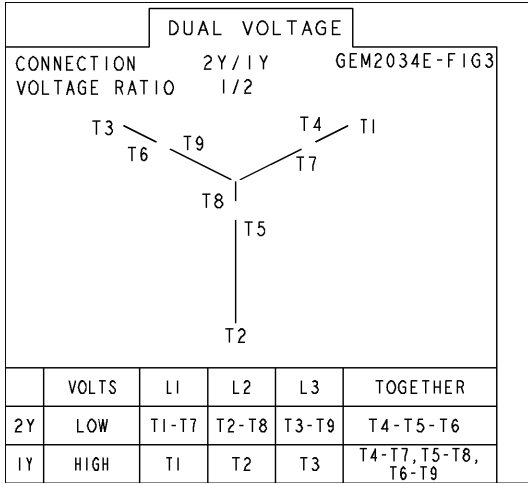


SIGNATURES		DATE	<p>GENERAL ELECTRIC COMPANY Fort Wayne, Indiana</p> <p>INDUCTION MOTOR OUTLINE STANDARD CONSTRUCTION FME: FR180T TEFC</p>
DRWN	GARY WARRNER	OCT 31/01	
CHECKED	GARY WARRNER	MAY 02/02	
ENGR	GARY WARRNER	MAY 02/02	
ISSUED	GARY WARRNER	MAY 02/02	
APPLIED PRACTICES			SIZE DRAWING 4002B5818PAP5201 REV. 4
SCALE: 0.400 REF. NO.: 4002B5818PAP201			SHEET 0F 1

DISTRIBUTION: PMP-18K15

Marks:

Connection Diagram
GEM2034E-FIG3



End shield Assembly		
Part Description	DE Side Part#	ODE Side Part#
End Shield	4004D5281PB1	4004D5281SG1
Bearing	235A2602AA01	235A2602AA01
Slinger/Inproseal	149C4399G16	149C4399G16

Fan & Fan Cover Assembly	
Part Description	Part#
Fan	4001A5914AM-G01
Fan Cover	4003C5786PA1

Conduit & Accessories Box Assembly	
Part Description	Part#
Conduit Box	4002B5718PA-G01

Mechanical Accessories	
Part Description	Part#
Brake	
Tachometer	