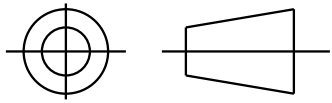


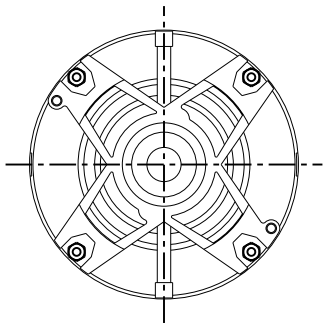
SHEET 1
 REV 1
 52A109319
 SIZE DRAWING NO. A

THIRD ANGLE PROJECTION



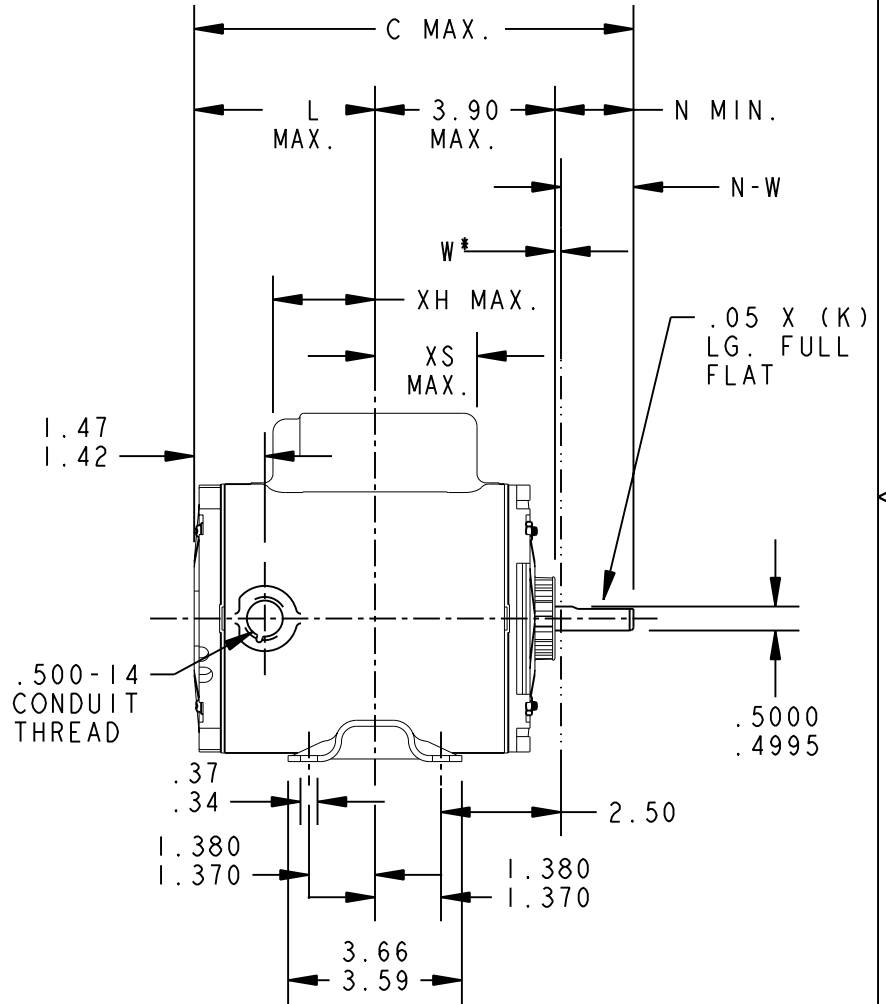
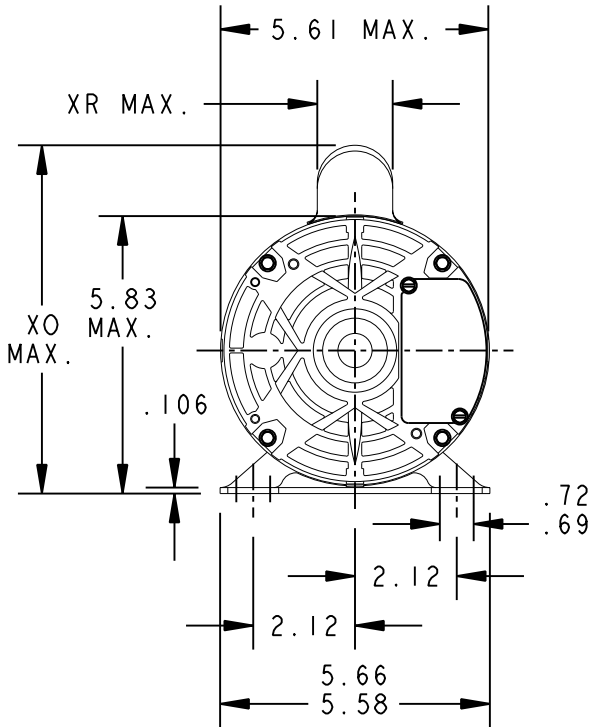
REVISIONS

REV.	DESCRIPTION	DATE	APPROVED
1	CHG TO RBC FORMAT PER ISO5-1777	03/10/06	SUDHA




VIEW SHOWING
P.E. VENTILATION
OPENINGS

W* IS A CLEARANCE DUE
TO VARIATION IN
PARTS AND ASSEMBLY.



I	KC	35	48	9.25	1.16	3.79	1.50	1.63/1.41	2.53	7.31	1.60	1.94
P	TYPE	GE SIZE	NEMA FR	C	K	L	N	N-W	XH	XO	XR	XS

	SIGNATURES		DATE
	MODEL	MA MARKS	07/15/93
DETAIL	.	.	
CHECKED	.	.	
ENGRG	.	.	
MFG	.	.	
FOR ADDITIONAL INFO REFER TO:	QUALITY	.	.
APPLIED PRACTICES	ISSUED	M.A.M.	07/15/93
DIMENSIONS ARE IN INCHES ✓	SOLID MODEL: 52A109319		



REGAL-BELOIT CORPORATION

TITLE **OUTLINE**

FORM N - GENERAL PURPOSE MOTOR - DRIP PROOF

WELDED BASE - BALL OR SLEEVE BEARING FMF: 5KC35JN13H

SIZE DRAWING **52A109319** REV **1**

SCALE: 0.250 REF. No: . SHEET 1 of 1