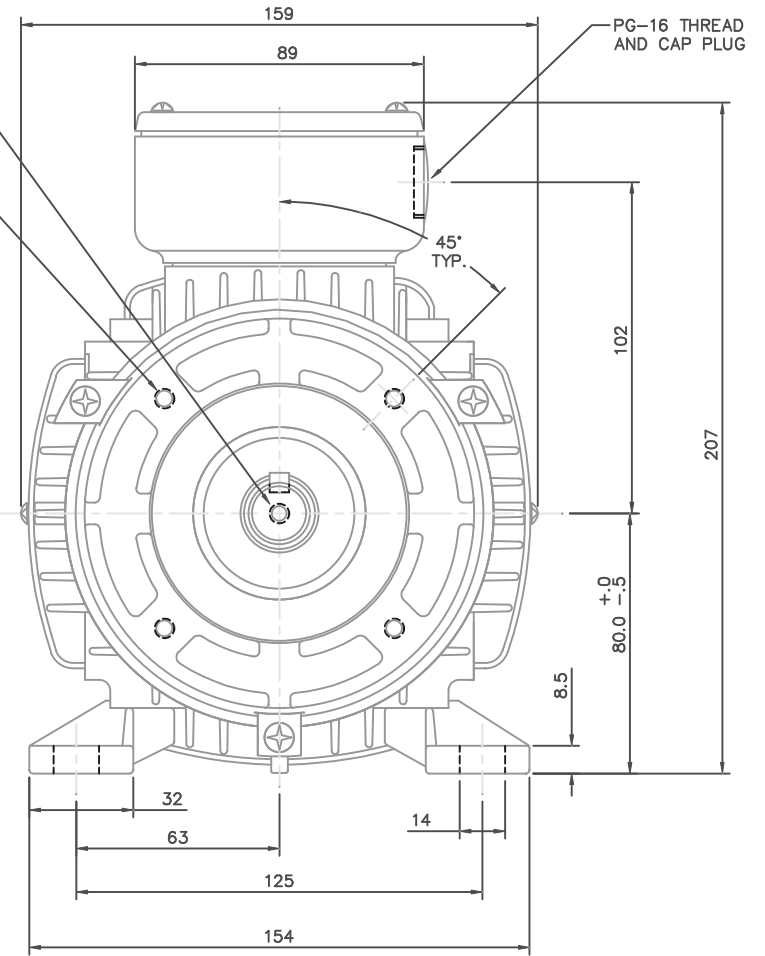


M6-1.00 x 16 DEEP R.H. THREADED SHAFT
 (4) M6-1.00 THRU-THREAD R.H. ON A Ø100.00 ±.17 B.C.



NO.		REVISION	BY & DATE	CHK	ANG	±1/2'	FINISH	LEESON ELECTRIC MOTORS GEARMOTORS AND DRIVES		DRAWN	ADS 01/30/02
							TO TOLERANCES UNLESS SPECIFIED	TITLE		SCALE	1=1.5
							DEC. INCHES	METRIC OUTLINE, IMB34 IEC-80 FRAME TEFC RIGID W/B14 FLANGE		REF	OSVC-300-560
							.X ±.1	MAT'L		FMF	LEESON STOCK
							.XX ±.03	ALUMINUM		PREV	
							.XXX ±.005				
							.XXXX ±.0005				
							RFP	CAD FILE	16986500	SIZE	DRAWING NO.
							DIST			B	169865-00
									REV.		

THIS DRAWING IN DESIGN AND DETAIL IS OUR PROPERTY AND MUST NOT BE USED EXCEPT IN CONNECTION WITH OUR WORK. ALL RIGHTS OF DESIGN AND INVENTION ARE RESERVED. THIS IS AN ELECTRONICALLY GENERATED DOCUMENT - DO NOT SCALE THIS PRINT.