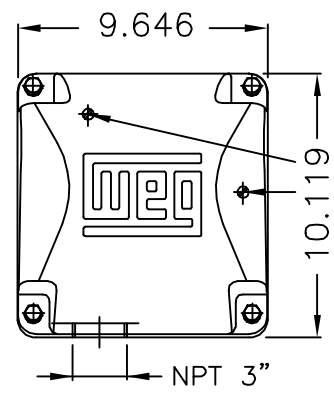


No reproduction of this drawing is allowed without written permission of WEG Motores

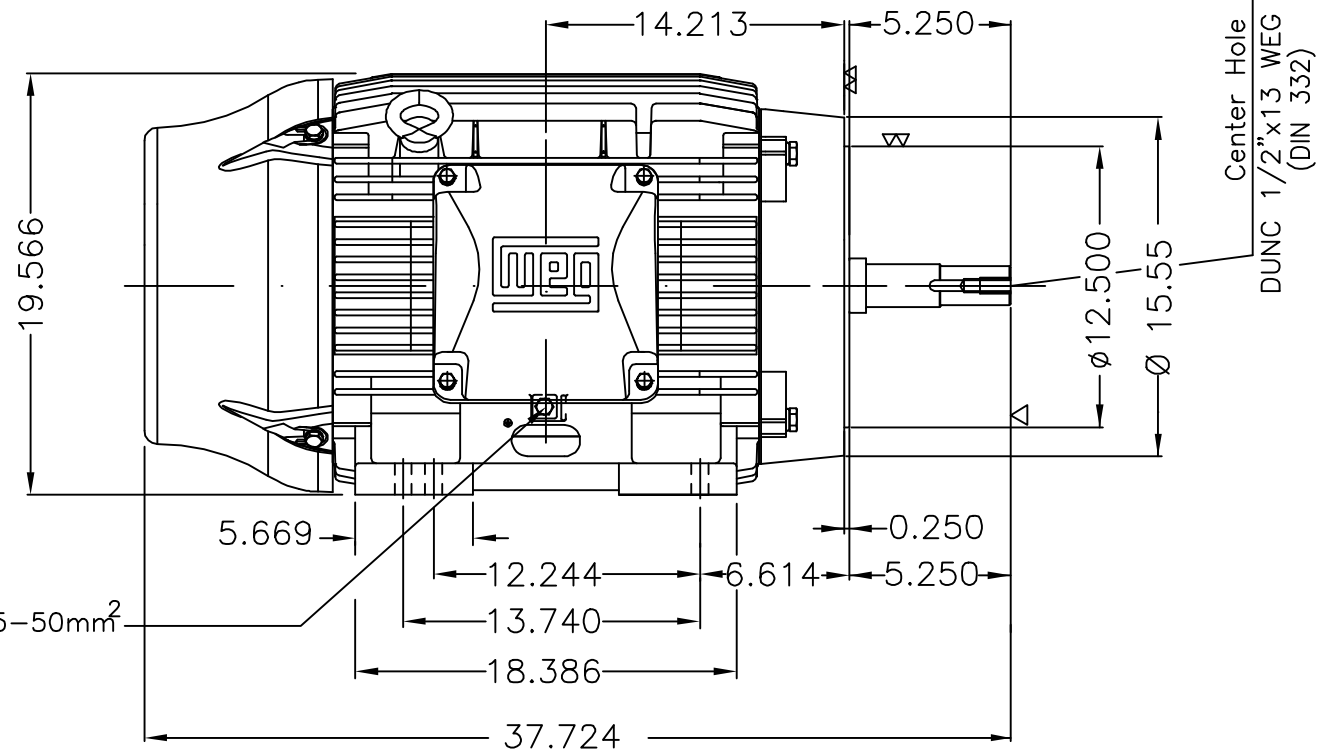
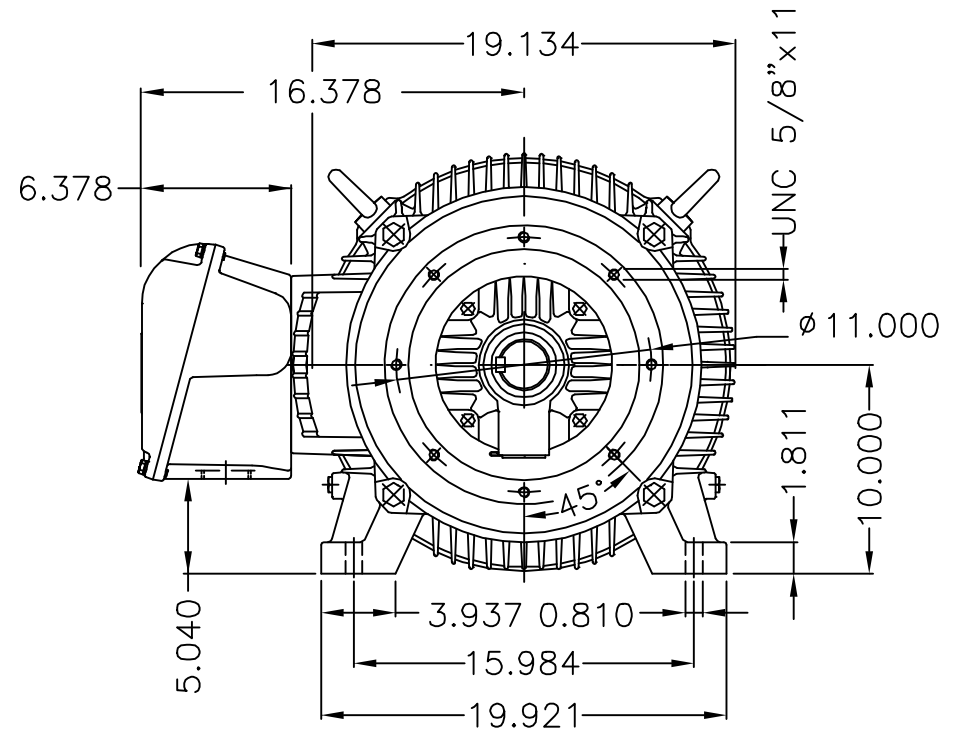
EIXO		Dimensões em polegadas Dimensions in inches
PADRÃO		
OPCIONAL		
ESPECIAL	X	

THIS IS AN UPDATED REVISION, THE PREVIOUS ONE MUST BE DISREGARDED.

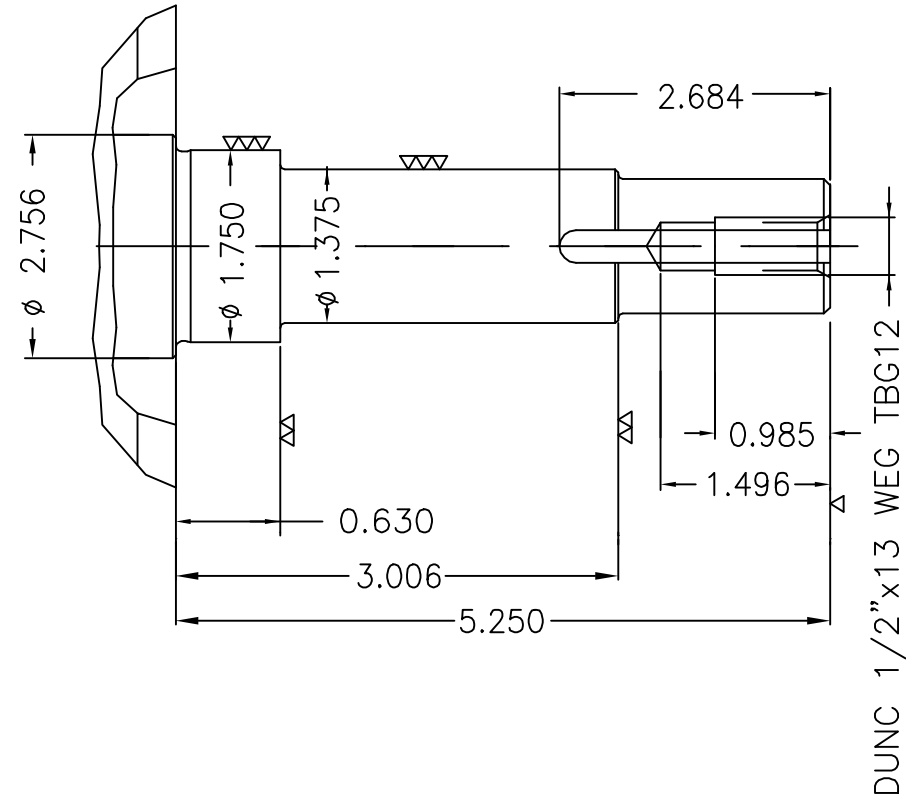


Main terminal box

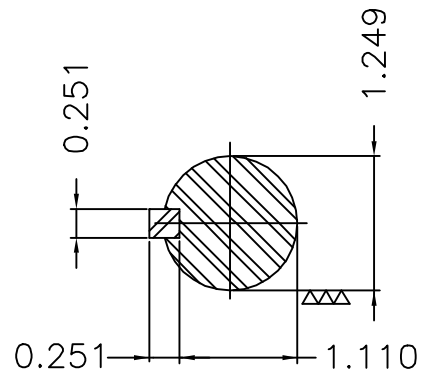
Grounding for leads 25-50mm<sup>2</sup>



Grounding for leads 25-50mm<sup>2</sup>



DUNC 1/2"x13 WEG TBG12



DE Shaft End

Material do eixo - AISI/SAE 4140 / Shaft material - AISI/SAE 4140  
 Vedação - retentor com mola / Sealing - oil seal ring  
 Plano de pintura 203A / Painting plan 203A  
 Forma construtiva B34D / Mounting B34R(D)

**WEG ELECTRIC CORPORATION**

50000376844	ALT. CONF. CLAIM 406441050	SCARMAGNANI	ALCIDESZ	29.10.2010	01			
50000376837	DOCUMENTO NOVO	SCARMAGNANI	ALCIDESZ	25.10.2010	00			
MODIF. NUMBER	LOC	SUMMARY OF MODIFICATIONS		EXECUTED	CHECKED	RELEASED	DATE	VER
EXECUTED	SCARMAGNANI	THREE PHASE W22 MOTOR - NEMA PREMIUM EFF FRAME 404/5TCZ IP55	10001013731					
CHECKED			000	01				
RELEASED	ALCIDESZ							
REL. DATE	25.10.2010	WMO-JGS	JARAGUÁ DO SUL	ENG. MOTORES INDUSTRIAIS	FOL/SHEET	1 / 1		

100 HP 02 Poles 60Hz 406362331/0

UNCONTROLLED COPY

RELEASED

ZME-A3