

# Product Information Packet

November 7, 2016

Data shown is for the current revision model #. Ensure your nameplate model # matches.

<b>Model Number:</b>	<b>5KS364ATE205AF2</b>
<b>Catalog Number:</b>	<b>E738</b>
<b>Instruction Manual:</b>	GEI-M1023
<b>Connection Diagram:</b>	GEM2034E-FIG10
<b>Outline Drawing:</b>	358B6219AA

Accessory Connection Diagrams			
<b>Bearing Thermocouple:</b>	None	<b>Heater:</b>	None
<b>RTD:</b>	None	<b>Thermistor:</b>	None
<b>Thermostat:</b>	None	<b>Winding Thermocouple:</b>	None
<b>Bearing RTD:</b>	None		

Table of Contents	
Specification	01
Performance Characteristics	02
Outline Drawing	03
Connection Drawing(s)	04

**Marks:**

<b>MODEL NUMBER:</b>	<b>5KS364ATE205AF2</b>	<b>Estimated Weight:</b>	800 Lbs
<b>Outline Drawing:</b>	358B6219AA	<b>Time Rating:</b>	CONT
<b>Connection Diagram:</b>	GEM2034E-FIG10	<b>Enclosure:</b>	DP
<b>Instruction Book:</b>	GEI-M1023	<b>Encl Construction:</b>	OPEN
<b>Design Code:</b>	36AD1005A	<b>Ambient Max(°C):</b>	40
<b>Type:</b>	KS	<b>Alt Ambient Max(°C):</b>	--
<b>Frame:</b>	364T	<b>Insulation Class:</b>	F
<b>Phases:</b>	3	<b>NEMA Design:</b>	A
<b>Poles:</b>	4	<b>Nominal Efficiency:</b>	95.0 %
<b>Output Power:</b>	60HP 44.4KW	<b>Guaranteed Efficiency:</b>	94.1
<b>RPM:</b>	1785	<b>3/4 Load Efficiency:</b>	94.7
<b>Voltage:</b>	230/460	<b>KVA Code:</b>	J
<b>Hertz:</b>	60	<b>Max KVAR:</b>	23.7
<b>Amps - FL:</b>	150.6/75.3	<b>Power Factor:</b>	78.5
<b>Service Factor:</b>	1.15	<b>Bearing - DE:</b>	6314
<b>Alt Service Factor:</b>	--	<b>Bearing - ODE:</b>	6313

Enclosure is Dripproof

---

**Stamped Nameplate Notes:****Additional Information:**

4 POLE DP  
 LRA: 1124 / 562  
 NO. OF MOTOR LEADS: 12  
 CONDUIT BOX VOLUME (IN<sup>3</sup>): 550  
 CONDUIT BOX MTL: STAMPED STEEL  
 GREASE TYPE: CHEVRON SRI-2 POLYUREA GREASE  
 USABLE AT 200V @ 60HP, 162 AMPS @ 1.0 SF  
 50 HZ DATA: 60HP, 200/400V, 175.4/87.7 AMPS AT 1.0SF, 1480 RPM  
 SOUND POWER: 76.8  
 DMK, 06/04, DATA UPDATE 11/2004  
 INVERTER DUTY PER NEMA MG1 PART 31  
 FOR VARIABLE TORQUE LOADS

**Performance Characteristics**

1st Winding 1st Connection

**Design: 36AD1005A**

**Marks:**

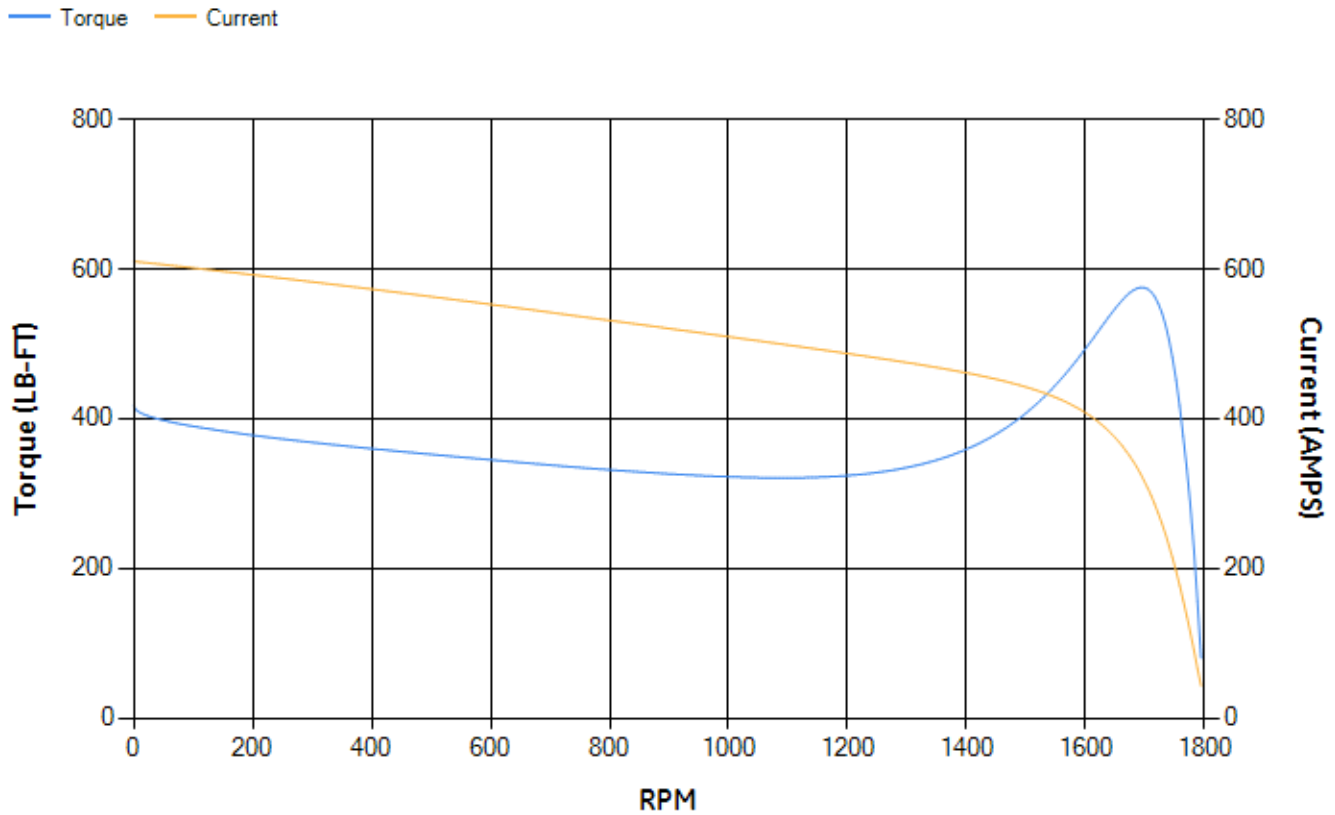
LOAD %	125.0	115.0	100.0	75.0	50.0	25.0	0.0
% EFF	94.65	94.77	95.07	94.73	93.8	90	0.00
% PF	82.94	82.37	80.95	76.31	66.21	44.43	4.7
AMPS	89.42	82.73	72.97	58.26	45.21	35.11	30.23

<b>TORQ(FL)#FT</b>	176.6	<b>TORQ(LR)%FL</b>	236.1	<b>TORQ(BD)%FL</b>	325.15
<b>AMPS(LR)</b>	610.28	<b>PF AT START</b>	0.3		

This motor is capable of two cold or one hot start with a maximum connected load inertia of 1561 Lb-Ft Sq (65.72 Kg-meter Sq)at 100% voltage, where the load torque varies with the square of the speed. Acceleration time with maximum inertia and the above load type is 29 seconds. Safe stall time at 100% voltage is 50 seconds cold, 41 seconds hot. Rotor inertia is 12.38 Lb-Ft Sq (0.52 Kg-meter Sq).

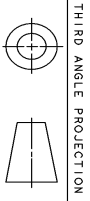
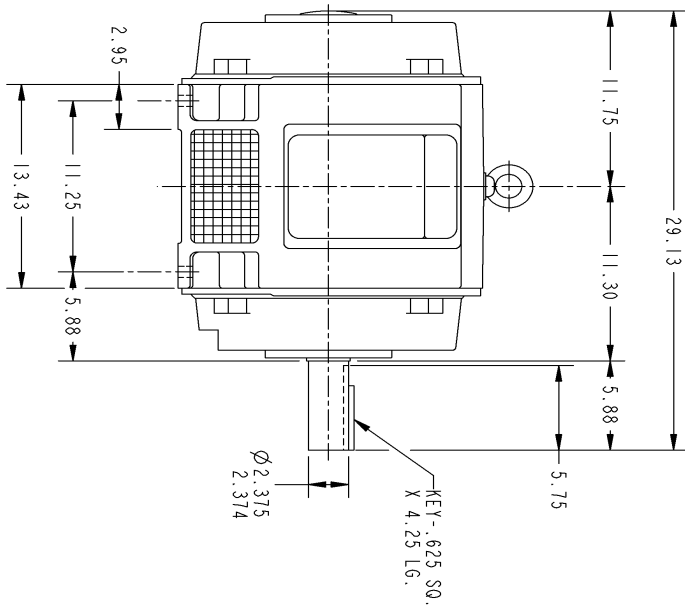
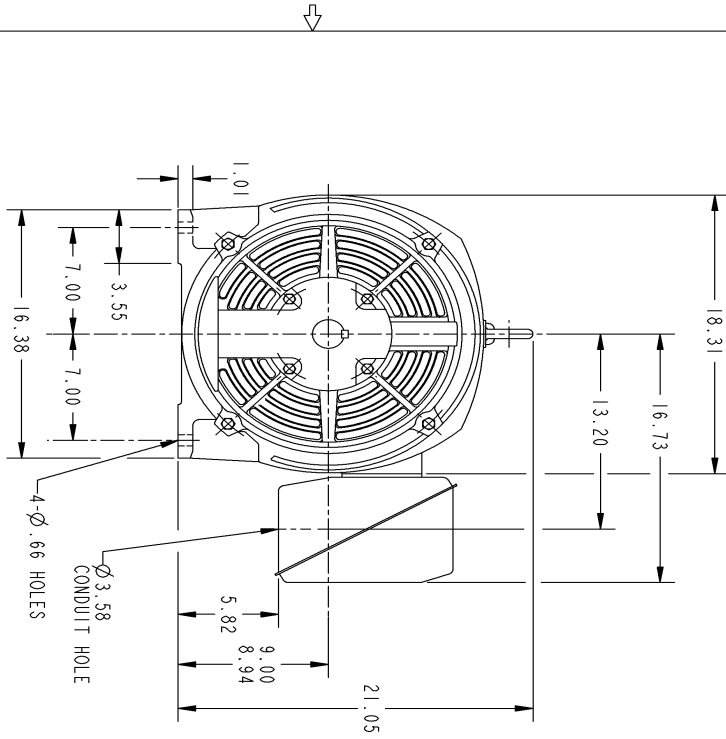
<b>Open Circuit A-C:</b>	0.667	<b>Short Circuit D-C:</b>	0.029
<b>Short Circuit A-C:</b>	0.033	<b>X/R Ratio:</b>	11.094
<b>Stator Slots:</b>	48	<b>Rotor Slots:</b>	40

**Speed Torque Current Curve (First Connection, First Speed)**



NAME:501053131 OBJECT:358B6219AA DATE:02-May-07 09:10:20

Marks:



THIRD ANGLE PROJECTION

NOTES :

1. CONDUIT BOX MAY BE PLACED WITH THE ENTRANCE DOWN, UP OR ON EITHER SIDE.
2. F-1 ASM AS SHOWN.
3. F-2 ASM - HAS CONDUIT BOX ON OPPOSITE SIDE.

SIZE DRAWING FOR  
**358B6219AA**  
 GE PROPRIETARY INFORMATION

REV.	DESCRIPTION	DATE	APPROVED
1	ISAAC-07-0770	04/27/07	RHONDA

UNLESS OTHERWISE SPECIFIED: DIMENSIONS ARE IN INCHES	SIGNATURES	DATE	 <b>GENERAL ELECTRIC COMPANY</b> Fort Wayne, Indiana
TOLERANCE ON: 2 PL. DECIMALS ± . 3 PL. DECIMALS ± . ANGLES ± 1°	DRAWN PRABHAKAR 03/27/03	03/27/03	
CHECKED ENGR PRABHAKAR 03/27/03	ISSUED PRABHAKAR 03/27/03		
MATERIAL: APPLIED PRACTICES	SIZE DRAWING <b>358B6219AA</b>	SCALE: DRAWING SCALE	REV. 1

DISTRIBUTION:

Marks:

**Connection Diagram**  
**GEM2034E-FIG10**

