

DATE  
February 24, 2007  
CATALOG NO.  
DHP0754R

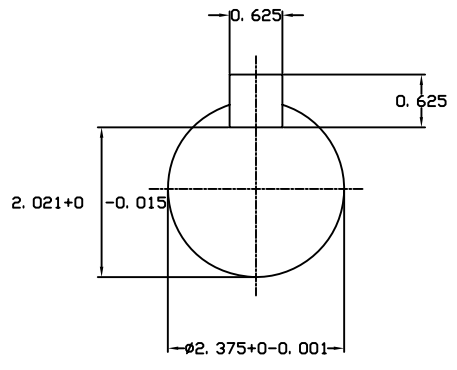
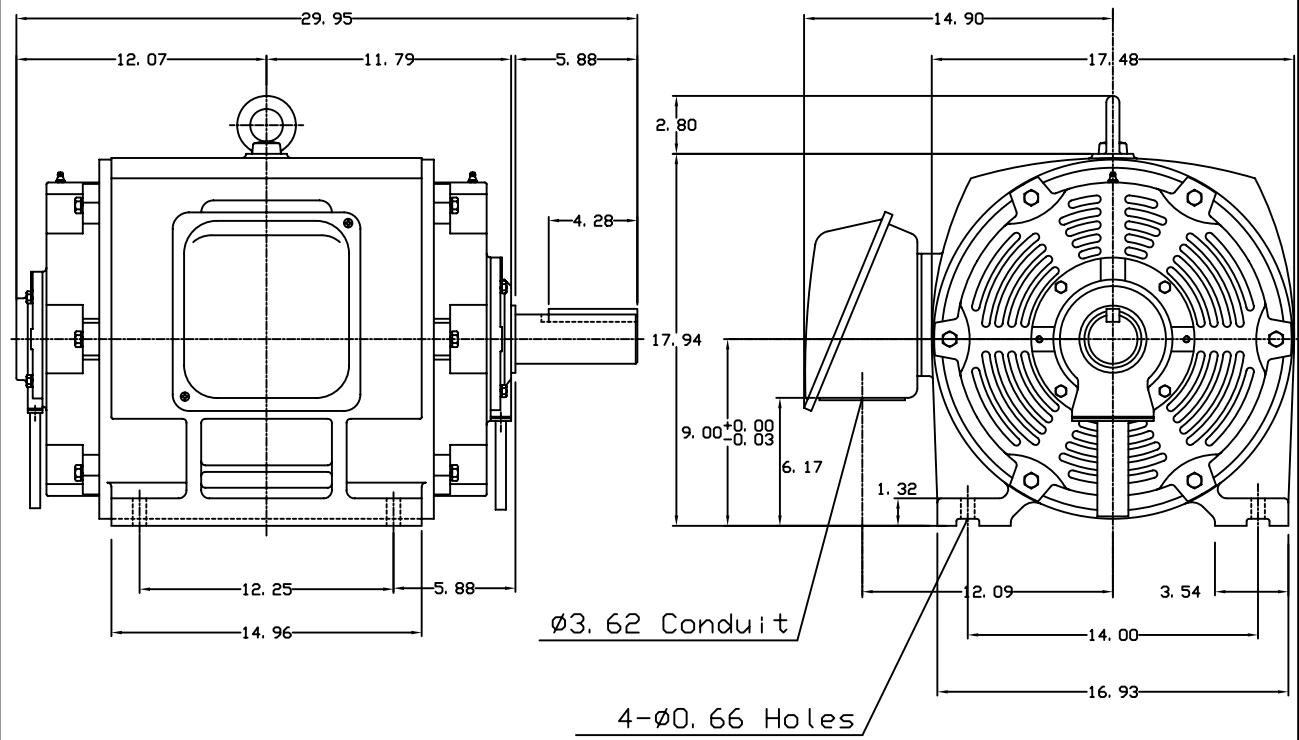
OUTLINE DIMENSIONS  
3-PHASE INDUCTION MOTOR

MOTOR TYPE:  
ASHH  
FRAME NO. 365T

| Pole | HP | KW | Hz | VOLT    | Syn. Speed<br>RPM |
|------|----|----|----|---------|-------------------|
| 4    | 75 | 56 | 60 | 230/460 | 1800              |

| Ins | Rating | Dimension in | Approx Weight | Bearings            |
|-----|--------|--------------|---------------|---------------------|
| F   | CONT.  | inch         | 772 lbs.      | DE: NU314 NDE: 6213 |

Open Protected Drip-Proof Squirrel-Cage Rotor.



|   |  |  |
|---|--|--|
| ◇ |  |  |
|---|--|--|

|       |             |          |                  |         |              |
|-------|-------------|----------|------------------|---------|--------------|
| DWN.  | J. H. LIANG | 12-22-98 | TEC Westinghouse | DWG NO. | 31057H396001 |
| CHKD. | C. H. KAO   | 06-10-99 |                  |         |              |
| APPD. | Y. B. HUANG | 06-10-99 |                  |         |              |