

# Product Information Packet

November 7, 2016

Data shown is for the current revision model #. Ensure your nameplate model # matches.

<b>Model Number:</b>	<b>5KS324ATE205A</b>
<b>Catalog Number:</b>	<b>E736</b>
<b>Instruction Manual:</b>	GEI-M1023
<b>Connection Diagram:</b>	GEM2034E-FIG10
<b>Outline Drawing:</b>	358B6218AA

<b>Accessory Connection Diagrams</b>			
<b>Bearing Thermocouple:</b>	None	<b>Heater:</b>	None
<b>RTD:</b>	None	<b>Thermistor:</b>	None
<b>Thermostat:</b>	None	<b>Winding Thermocouple:</b>	None
<b>Bearing RTD:</b>	None		

<b>Table of Contents</b>	
Specification	01
Performance Characteristics	02
Outline Drawing	03
Connection Drawing(s)	04

**Marks:**

<b>MODEL NUMBER:</b>	<b>5KS324ATE205A</b>	<b>Estimated Weight:</b>	650 Lbs
<b>Outline Drawing:</b>	358B6218AA	<b>Time Rating:</b>	CONT
<b>Connection Diagram:</b>	GEM2034E-FIG10	<b>Enclosure:</b>	DP
<b>Instruction Book:</b>	GEI-M1023	<b>Encl Construction:</b>	OPEN
<b>Design Code:</b>	32AD1005A	<b>Ambient Max(°C):</b>	40
<b>Type:</b>	KS	<b>Alt Ambient Max(°C):</b>	--
<b>Frame:</b>	324T	<b>Insulation Class:</b>	F
<b>Phases:</b>	3	<b>NEMA Design:</b>	A
<b>Poles:</b>	4	<b>Nominal Efficiency:</b>	94.1 %
<b>Output Power:</b>	40HP 29.6KW	<b>Guaranteed Efficiency:</b>	93.0
<b>RPM:</b>	1780	<b>3/4 Load Efficiency:</b>	94.3
<b>Voltage:</b>	230/460	<b>KVA Code:</b>	H
<b>Hertz:</b>	60	<b>Max KVAR:</b>	12.6
<b>Amps - FL:</b>	97/48.5	<b>Power Factor:</b>	82
<b>Service Factor:</b>	1.15	<b>Bearing - DE:</b>	6312
<b>Alt Service Factor:</b>	--	<b>Bearing - ODE:</b>	6312

Enclosure is Dripproof

---

**Stamped Nameplate Notes:****Additional Information:**

4 POLE DP  
 LRA: 692.8/346.4  
 NO. OF MOTOR LEADS: 12  
 CONDUIT BOX VOLUME (IN<sup>3</sup>): 253  
 CONDUIT BOX MTL: STAMPED STEEL  
 GREASE TYPE: CHEVRON SRI-2 POLYUREA GREASE  
 USABLE AT 200V @ 40HP, 107 AMPS @ 1.0SF  
 50 HZ DATA: 40HP, 200/400V, 112.2/56.1 AMPS AT 1.0SF, 1475 RPM  
 SOUND POWER: 75.1  
 DMK, 06/04, DATA UPDATE 11/2004  
 INVERTER DUTY PER NEMA MG1 PART 31  
 FOR VARIABLE TORQUE LOADS

**Performance Characteristics**

1st Winding 1st Connection

**Design: 32AD1005A**

**Marks:**

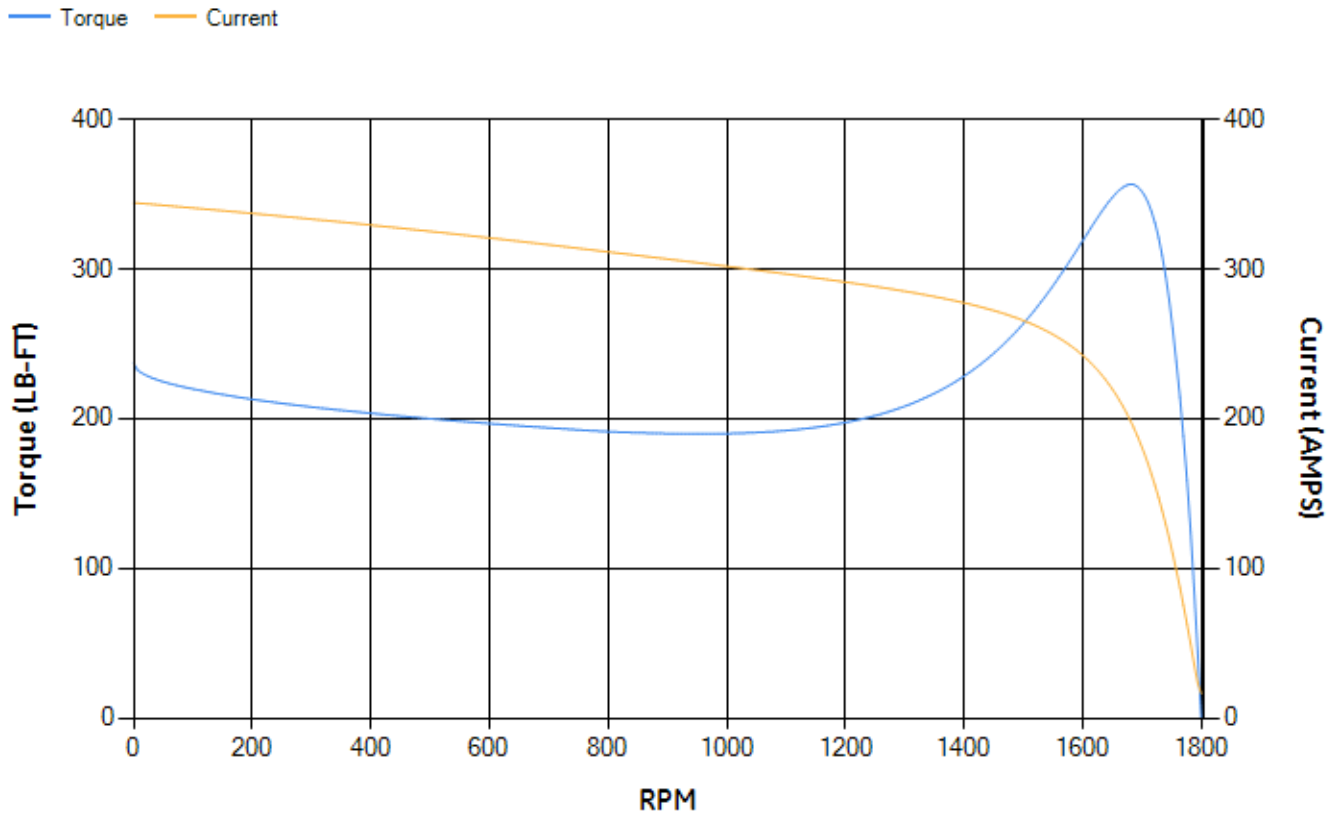
LOAD %	125.0	115.0	100.0	75.0	50.0	25.0	0.0
% EFF	93.71	93.95	94.42	94.34	93.66	90.23	0.00
% PF	84.92	84.75	84	80.8	72.62	51.72	5.53
AMPS	58.81	54.07	47.2	36.84	27.52	20.06	16.3

<b>TORQ(FL)#FT</b>	117.97	<b>TORQ(LR)%FL</b>	201.02	<b>TORQ(BD)%FL</b>	301.44
<b>AMPS(LR)</b>	344.29	<b>PF AT START</b>	0.32		

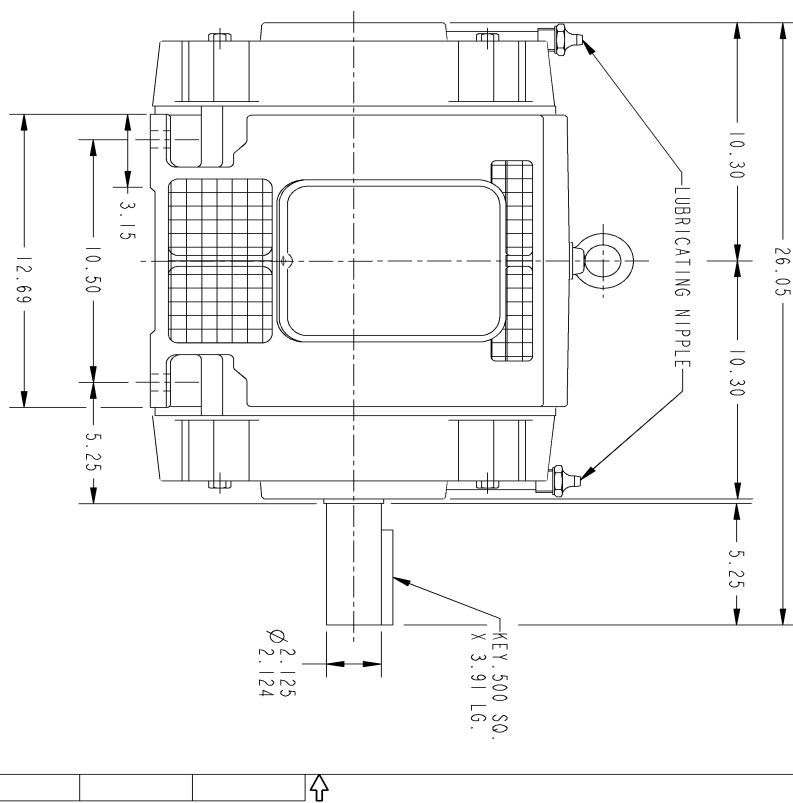
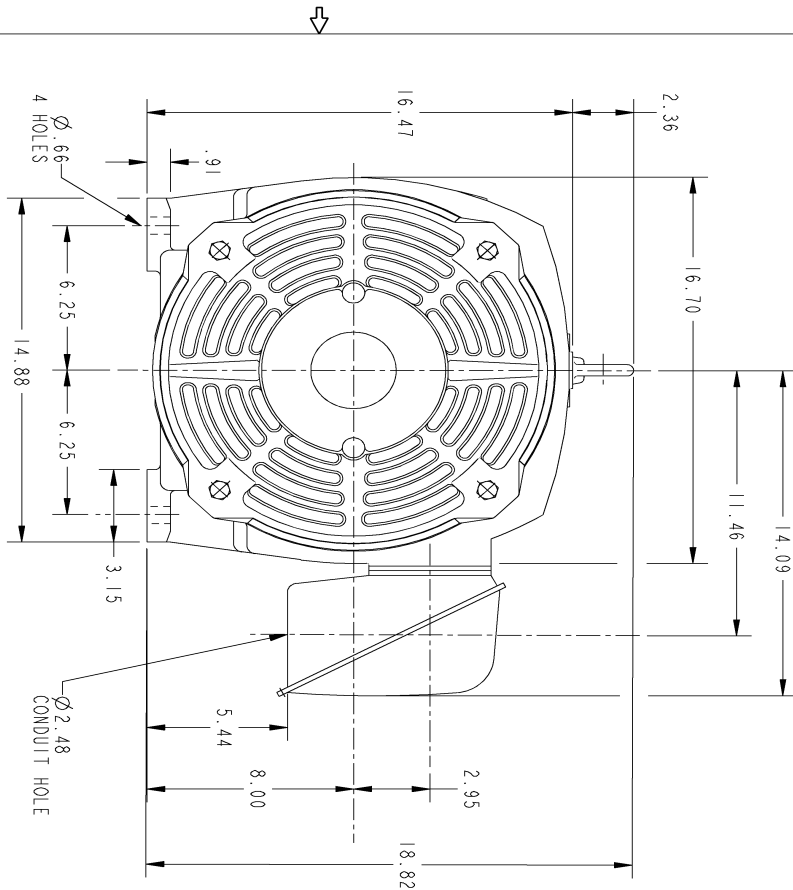
This motor is capable of two cold or one hot start with a maximum connected load inertia of 1163 Lb-Ft Sq (48.96 Kg-meter Sq)at 100% voltage, where the load torque varies with the square of the speed. Acceleration time with maximum inertia and the above load type is 38 seconds. Safe stall time at 100% voltage is 64 seconds cold, 54 seconds hot. Rotor inertia is 7.11 Lb-Ft Sq (0.3 Kg-meter Sq).

<b>Open Circuit A-C:</b>	0.683	<b>Short Circuit D-C:</b>	0.023
<b>Short Circuit A-C:</b>	0.03	<b>X/R Ratio:</b>	8.671
<b>Stator Slots:</b>	48	<b>Rotor Slots:</b>	40

**Speed Torque Current Curve (First Connection, First Speed)**



Marks:



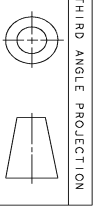
**GE PROPRIETARY INFORMATION**  
 This document is the property of General Electric Company ("GE") and contains proprietary information of GE. This document is loaned on the express condition that recipient will not disseminate, distribute, or copy this document. If you are not an intended recipient of this document, you should not disseminate, distribute, or copy it. The information shall be used by the recipient only as expressly permitted by the recipient. This document shall be returned to GE upon its request, and the recipient shall be subject to standard restrictions under U.S. export control laws and regulations.

REV.	DESCRIPTION	DATE	APPROVED
1	ISAAC 07-0770	05/03/07	R. KOHNE
2	ISAAC 15-0375	04/22/15	HARIKIRAN

SIZE B DRAWING NO. 358B6218AA SH 2 REV. 2

NOTES :

1. CONDUIT BOX MAY BE PLACED WITH THE ENTRANCE DOWN, UP OR ON EITHER SIDE.
2. F-1 ASW AS SHOWN.
3. F-2 ASW - HAS CONDUIT BOX ON OPPOSITE SIDE.



UNLESS OTHERWISE SPECIFIED:		SIGNATURES		DATE	
DIMENSIONS ARE IN INCHES	DRAWN	P. RAJU	03/07/03		
TOLERANCES ARE:	CHECKED	M. FUTTER	03/04/03		
2 PL DECIMALS ± 0.02	ENGR				
3 PL DECIMALS ± 0.005	ISSUED	PRADHAKAR	03/04/03		
ANGLES ± 0.5	APPLIED PRACTICES				
MATERIAL:		SCALE: DRAWING SCALE		SHEET 1 OF 1	

**GE Industrial Systems**  
 GENERAL ELECTRIC COMPANY  
 Fort Wayne, Indiana

**OUTLINE**  
 324T - DRIPPOOF  
 358B6218AA  
 REV. 2

DISTRIBUTION:

Marks:

**Connection Diagram**  
**GEM2034E-FIG10**

