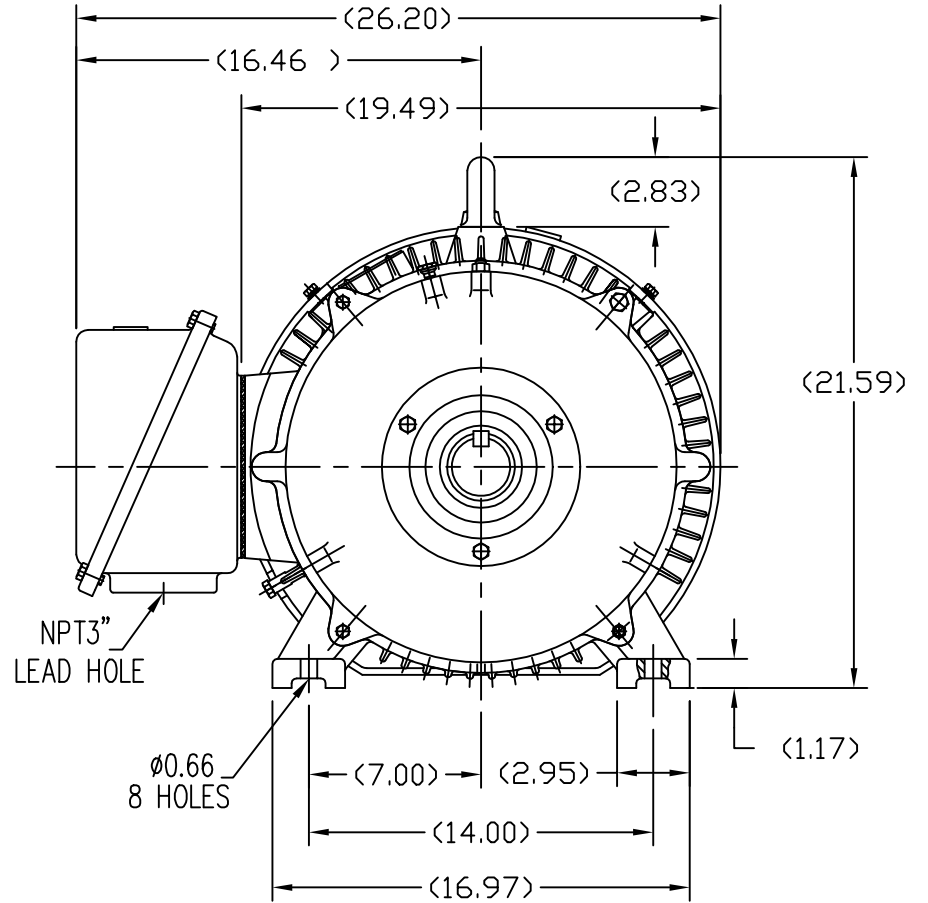
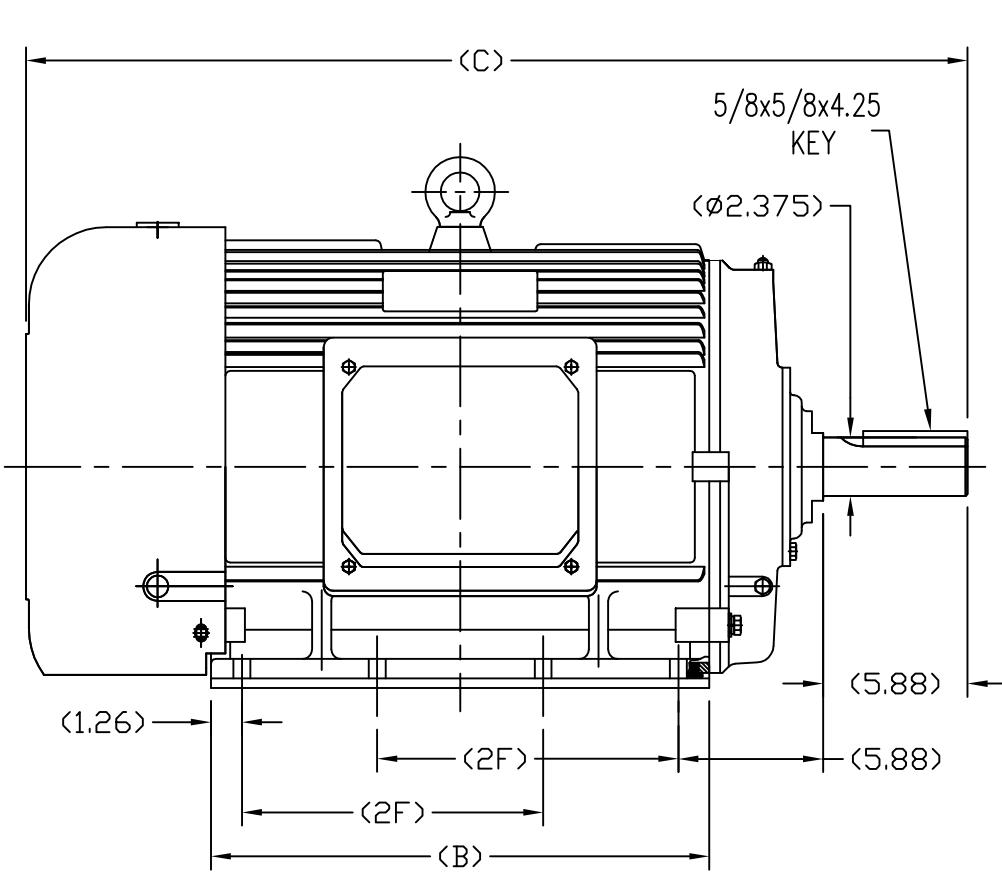


SS620285



364T	36.61	18.5	11.25
365T	38.39	20.28	12.25
Frame	C	B	2F

TOLERANCES UNLESS SPECIFIED		REGAL-BELOIT CORPORATION		DRAWN CL 02-21-2010			
DEC.	INCHES	CHK		CHK			
.X	±.1	APPD		APPD			
.XX	±.03	REF		SCALE 1=5			
.XXX	±.005	REF		REF			
.XXXX	±.0005	FNF		HWADA			
NO.	REVISION	BY & DATE	CHK	PREV			
			ANG ±1/2				
THIS DRAWING IN DESIGN AND DETAIL IS OUR PROPERTY AND MUST NOT BE USED EXCEPT IN CONNECTION WITH OUR WORK ALL RIGHTS OF DESIGN AND INVENTION ARE RESERVED THIS IS AN ELECTRONICALLY GENERATED DOCUMENT - DO NOT SCALE THIS PRINT		RFP	CAD FILE	SS620285	SIZE	DRAWING NO.	REV.
		DIST			B	SS620285	