

DATE  
JUNE 21, 2005  
CATALOG NO.  
EP04065

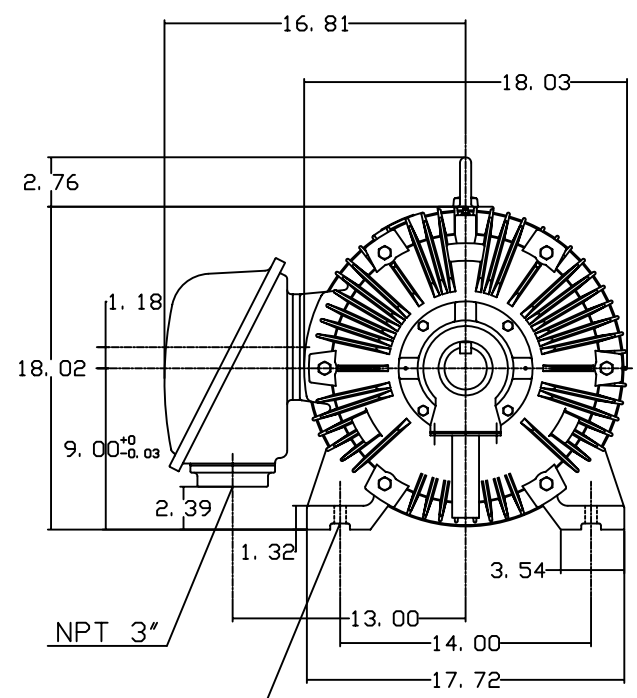
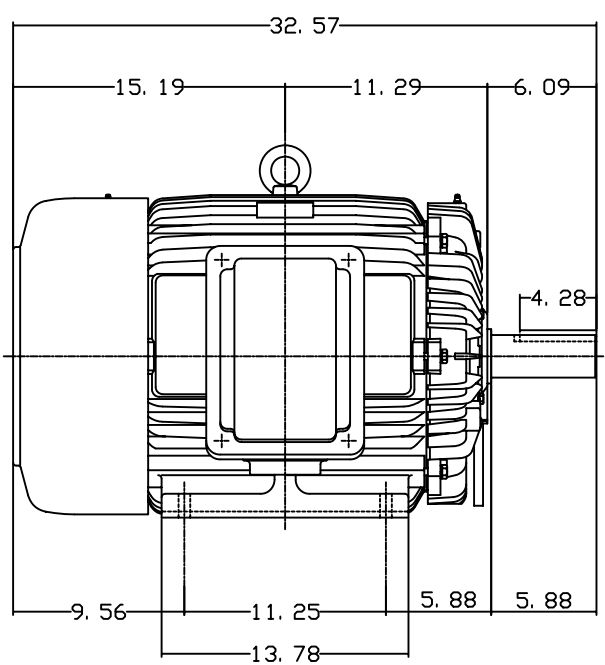
OUTLINE DIMENSIONS  
3-PHASE INDUCTION MOTOR

MOTOR TYPE:  
AEHH8N  
FRAME NO. 364T

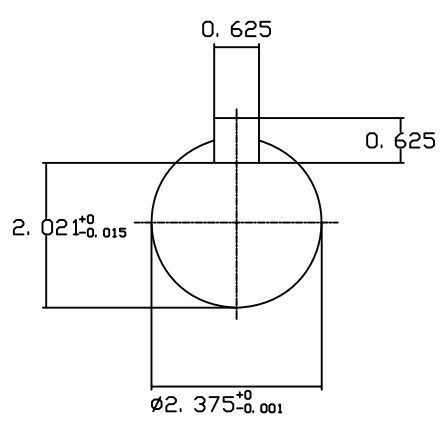
Pole	HP	KW	Hz	VOLT	Syn. Speed RPM
6	40	29.84	60	575	1200

Ins	Rating	Dimension in	Approx Weight	Bearings	
F	CONT.	inches	898 lbs.	DE: 6313	NDE: 6213

Totally Enclosed Fan-Cooled Type. Squirrel-Cage Rotor.



4-Ø0.66 Holes



DWN.	J. H. LIANG	11-30-98
CHKD.	C. H. KAD	12-26-98
APPD.	Y. B. HUANG	12-26-98



DWG NO.  
31057H368001