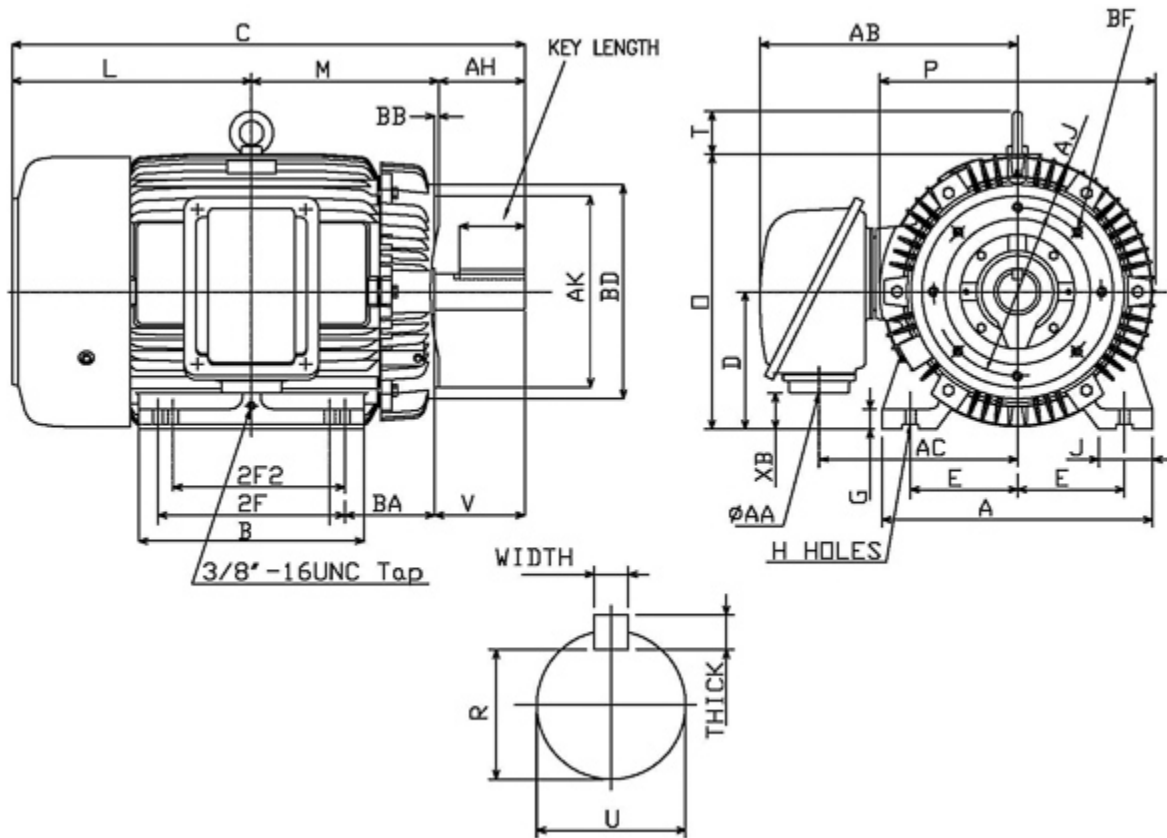


Dimensional Drawing

| | | | | | | | | |
|-----------|--------|----|------|----|------------|---------|----|------|
| Catalogue | Model | HP | Pole | kW | Rating | Voltage | Hz | RPM |
| APH0506C | AEHH8R | 50 | 6 | 37 | Continuous | 460 V | 60 | 1200 |



| Frame Size | Mounting | | | | | A | B | C | CD | D | |
|------------------|----------|-------|----------|---------|--------------------|-------------|------------|-------|------------------------------|------------|--------------|
| | E | 2F | 2F2 | H | BA | | | | | | |
| 365TC | 7 | 12.25 | 11.25 | 0.66 | 5.88 | 17.7 | 14.76 | 33.55 | | 9 | |
| G | J | K | L | M | O | P | T | Key | | | Keyseat R |
| | | | | | | | | Width | Thick | Length | |
| 1.32 | 3.54 | | 15.67 | 11.59 | 17.99 | 18.03 | 2.76 | 0.625 | 0.625 | 4.28 | 2.021 |
| Terminal Housing | | | Aux Box | | | C/D Flange | | | | | |
| AA | AB | AC | XB | AE | AX | BB | AH | AK | BD | AJ | BF |
| NPT3" | 16.81 | 12.99 | 2.39 | | | | | | | | |
| Shaft Extension | | | Bearings | | Approx. Weight Lbs | SPL dBA/3ft | Ins. Class | S.F. | Drive Method | Dimensions | |
| N-W | U | V | DE | NDE | | | | | | | |
| 5.88 | 2.375 | 5.75 | 6313ZC3 | 6213ZC3 | 913 | 75 | F | 1.15 | Direct Coupling / Belt Drive | Inches | |

Technical Data Sheet

Motor Type: AEHH8R

Catalogue No: APH0506C

Nameplate Information

| | | | | | | |
|-----------|------------|----------------|-------------|-------------|--------------|----------------|
| HP | Pole | RPM | Frame | Voltage | Hz | Phase |
| 50 | 6 | 1180 | 365TC | 460 | 60 | 3 |
| Enclosure | Ins. Class | Service Factor | Time Rating | NEMA Design | Rated Amb. | Rated Altitude |
| TEFC | F | 1.15 | Continuous | B | -40 to 40 °C | <3300 ft |

Typical Performance

| Efficiency (%) | | | | Power Factor (%) | | |
|-------------------|-----------------------------|---------------------------------|--------------------------------------|---------------------|-----------|--------------------------------|
| Full Load | | 3/4 Load | 1/2 Load | Full Load | 3/4 Load | 1/2 Load |
| Nom. | Min. | | | | | |
| 94.1 | 93.0 | 94.5 | 93.6 | 86.0 | 83.0 | 75.5 |
| Torque | | | | Current (A) | | |
| Full Load (lb-ft) | Locked Rotor (% FLT) | Pull Up (% FLT) | Break Down (% FLT) | No Load | Full Load | Locked Rotor |
| 222.50 | 225 | 170 | 240 | 20.9 | 57.9 | 363 |
| NEMA KVA Code | Inertia (WR ²) | | | Safe Stall Time (s) | | Noise Level Sound Press. dB(A) |
| | Rotor (lb-ft ²) | NEMA Load (lb-ft ²) | Max. Allowable (lb-ft ²) | Cold | Hot | |
| G | 21.380 | 620 | 1385 | 29 | 20 | 75 |

VFD Duty Information

| Speed Range | | | VFD | | S.F. |
|-----------------|-----------------|----------------|---------|--------------|----------|
| Constant Torque | Variable Torque | Constant Power | Carrier | Type | |
| 6-60Hz | 3-60Hz | 60-120Hz | ≤ 5 kHz | VPWM or CPWM | 1.0 Only |

Additional Information

| Bearings | | Approx. Weight |
|----------|---------|----------------|
| DE | NDE | lbs |
| 6313ZC3 | 6213ZC3 | 913 |

Hazardous Locations Information

| CSA Certified | |
|--|----------|
| Class I, Div 2, Groups B, C & D Class I, Zone 2, Groups IIB+H2, IIB & IIA | |
| Temp Code (Sinewave / VFD) | T3C / T3 |