

Product Information Packet

November 8, 2016

Data shown is for the current revision model #. Ensure your nameplate model # matches.

Model Number:	5KS145SAA308D1
Catalog Number:	M476
Instruction Manual:	GEI-56128
Connection Diagram:	GEM2034E-FIG1
Outline Drawing:	4002B5814PAP5201

Accessory Connection Diagrams			
Bearing Thermocouple:	None	Heater:	None
RTD:	None	Thermistor:	None
Thermostat:	None	Winding Thermocouple:	None
Bearing RTD:	None		

Table of Contents

Specification	01
Performance Characteristics	02
Outline Drawing	03
Connection Drawing(s)	04
Spare parts	05



Marks:

MODEL NUMBER:	5KS145SAA308D1	Estimated Weight:	50 Lbs
Outline Drawing:	4002B5814PAP5201	Time Rating:	CONT
Connection Diagram:	GEM2034E-FIG1	Enclosure:	TEFC
Instruction Book:	GEI-56128	Encl Construction:	X\$D
Design Code:	14BD3013AA	Ambient Max(°C):	40
Type:	KS	Alt Ambient Max(°C):	65
Frame:	145T	Insulation Class:	H
Phases:	3	NEMA Design:	B
Poles:	6	Nominal Efficiency:	82.5 %
Output Power:	1HP 0.7KW	Guaranteed Efficiency:	81.5
RPM:	1155	3/4 Load Efficiency:	82.8
Voltage:	460	KVA Code:	N
Hertz:	60	Max KVAR:	0.9
Amps - FL:	1.8	Power Factor:	62.5
Service Factor:	1.25	Bearing - DE:	6205ZC3
Alt Service Factor:	1.00	Bearing - ODE:	6205ZC3

Enclosure is Totally Enclosed Fan-Cooled

Stamped Nameplate Notes:

SF AMPS 2.1
 STAMP NP249A5564P051 AS BELOW:
 MODEL:5KS145SAA308D1 S/N: XXX
 CSA CERTIFIED CSA09.2216219 FOR EX NA IIC 200C GC
 CL 1 ZONE2 AEX NA IIC 200C;CL 1 DIV2 GRP ABCD 200C
 IN -40C <= AMB <= 40C, 1.0 SF ON SINE-WAVE PWR
 SURF TEMP 200C AT 1.25SF ON SINE-WAVE PWR
 OR 200 C VT OR 200 C CT OR 200 C CHP PWM CONTROL
 ALTERNATE RATING FOR PWM CONTROL 1.0SF 40C AMB
 VT 0-60 HZ, CT 3-60 HZ , CHP 60-90 HZ.

Additional Information:

6P - T EXTN
 STANDARD FLOOR MOUNT
 C/BOX 30 CU IN-0.75 NPT
 F1 CONDUIT BOX MOUNTING
 OIL RESISTANT SLEEVING ON LEADS

Performance Characteristics

1st Winding 1st Connection

Design: 14BD3013AA

Marks:

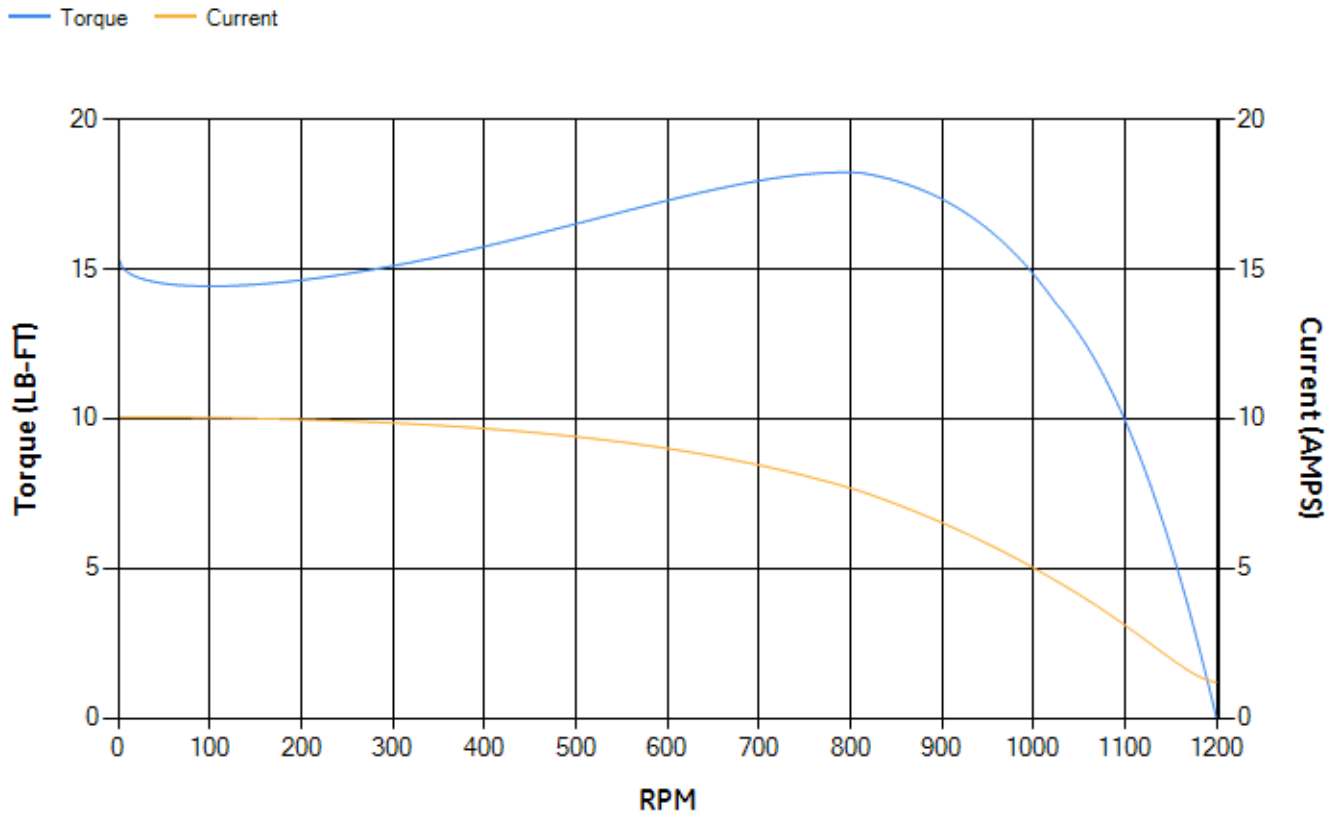
LOAD %	125.0	115.0	100.0	75.0	50.0	25.0	0.0
% EFF	82.2	82.65	83.26	82.78	80.19	70.59	0.00
% PF	68.89	66.52	64.14	53.09	40.71	25.06	7.05
AMPS	2.07	1.96	1.75	1.6	1.43	1.32	1.2

TORQ(FL)#FT	4.55	TORQ(LR)%FL	337.79	TORQ(BD)%FL	386.95
AMPS(LR)	10.05	PF AT START	0.59		

This motor is capable of two cold or one hot start with a maximum connected load inertia of 218 Lb-Ft Sq (9.18 Kg-meter Sq)at 100% voltage, where the load torque varies with the square of the speed. Acceleration time with maximum inertia and the above load type is 59 seconds. Safe stall time at 100% voltage is 131 seconds cold, 101 seconds hot. Rotor inertia is 0.11 Lb-Ft Sq (0 Kg-meter Sq).

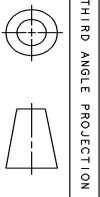
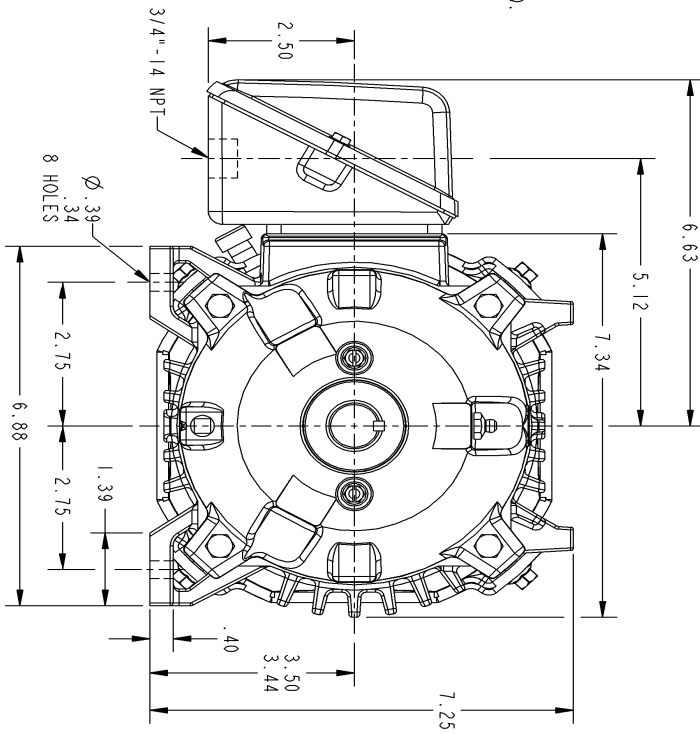
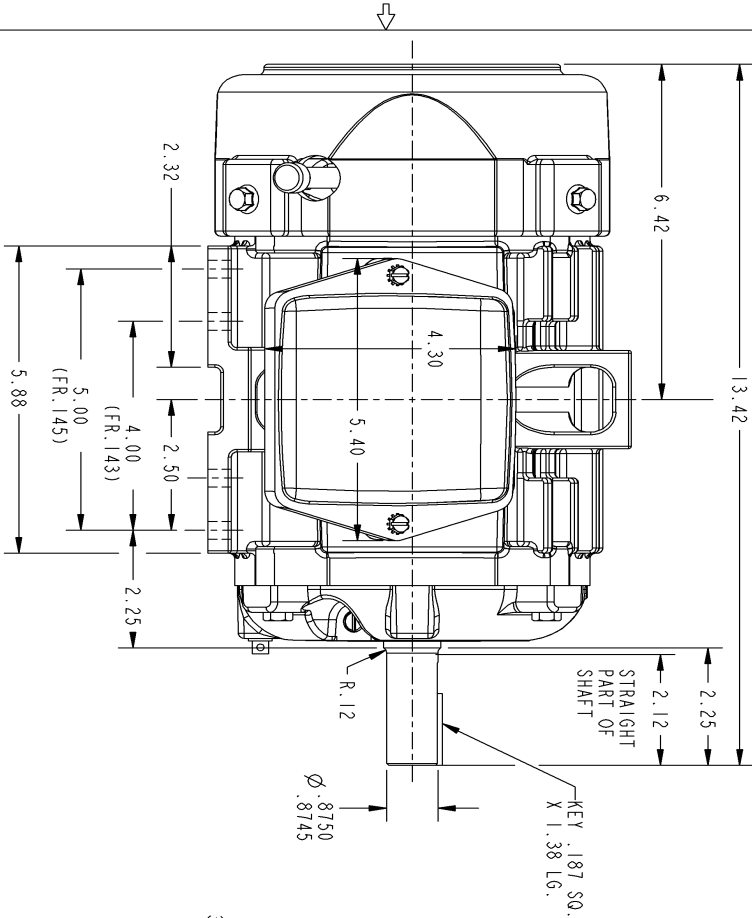
Open Circuit A-C:	0.079	Short Circuit D-C:	0.006
Short Circuit A-C:	0.007	X/R Ratio:	2.353
Stator Slots:	36	Rotor Slots:	48

Speed Torque Current Curve (First Connection, First Speed)



Marks:

NOTE 1: CONDUIT BOX MAY BE ASSEMBLED WITH ENTRANCE UP, DOWN OR TO EITHER SIDE.
 NOTE 2: F1 ASSEMBLY AS SHOWN. F2 ASSEMBLY CONDUIT BOX ON OPPOSITE SIDE FROM SHOWN LOCATION.



SIZE DRAWING NO. 4002B5814PAP5201

SM REV 1

REV.	DESCRIPTION	DATE	APPROVED
1.	REMOVED - ULTRA - FROM DESCRIPTION	05/21/03	DCMOHAN

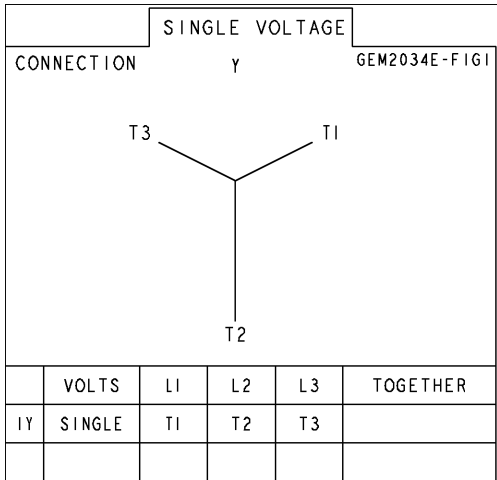
SIGNATURES	DATE	GE Logo	GENERAL ELECTRIC COMPANY
DRWN: GART WARRINE	OCT 24/01	Systems	Fort Wayne, Indiana
CHECKED: GART WARRINE	MAY 22/02	INDUCTION MOTOR OUTLINE STANDARD CONSTRUCTION FWF: FR1A0T TEFC	
ISSUED: GART WARRINE	JUN 05/02		
APPLIED PRACTICES			

SIZE DRAWING B
 SCALE: 0.500 REF. NO.: 4002B5814PAP5201 SHEET 1 OF 1

DISTRIBUTION: PMP-18K15

Marks:

Connection Diagram
GEM2034E-FIG1



End shield Assembly		
Part Description	DE Side Part#	ODE Side Part#
End Shield	4004D5280PB1	4004D5280SG1
Bearing	235A2600AA01	235A2600AA01
Slinger/Inproseal	149C4399G15	149C4399G15

Fan & Fan Cover Assembly	
Part Description	Part#
Fan	4001A5914AM-G01
Fan Cover	4003C5785PA1

Conduit & Accessories Box Assembly	
Part Description	Part#
Conduit Box	4002B5718PA-G01

Mechanical Accessories	
Part Description	Part#
Brake	
Tachometer	