

Product Information Packet

January 13, 2017

Data shown is for the current revision model #. Ensure your nameplate model # matches.

Model Number:	5KS511XAA356A
Catalog Number:	Q886
Instruction Manual:	GEI-56128
Connection Diagram:	GEM2034E-FIG2
Outline Drawing:	239C6B00LA

Accessory Connection Diagrams			
Bearing Thermocouple:	None	Heater:	3027JE-1
RTD:	235A3027WN	Thermistor:	None
Thermostat:	None	Winding Thermocouple:	None
Bearing RTD:	235A3027NA		

Table of Contents	
Specification	01
Performance Characteristics	02
Outline Drawing	03
Connection Drawing(s)	04

Marks:

MODEL NUMBER:	5KS511XAA356A	Estimated Weight:	5335 Lbs
Outline Drawing:	239C6B00LA	Time Rating:	CONT
Connection Diagram:	GEM2034E-FIG2	Enclosure:	TEFC
Instruction Book:	GEI-56128	Encl Construction:	841
Design Code:	50BD3186E	Ambient Max(°C):	40
Type:	KS	Alt Ambient Max(°C):	--
Frame:	5011LL	Insulation Class:	F
Phases:	3	NEMA Design:	B
Poles:	6	Nominal Efficiency:	95.4 %
Output Power:	300HP 222KW	Guaranteed Efficiency:	94.5
RPM:	1185	3/4 Load Efficiency:	95.8
Voltage:	2300/4000	KVA Code:	G
Hertz:	60	Max KVAR:	85.5
Amps - FL:	69.7/40.1	Power Factor:	84.5
Service Factor:	1.15	Bearing - DE:	6320ZC3
Alt Service Factor:	--	Bearing - ODE:	6315ZC3

Enclosure is Totally Enclosed Fan-Cooled

Stamped Nameplate Notes:

EXCEPTION TO IEEE-STD-841-2009: SOUND POWER 93 DBA
TSTAT HTR LDS H 115V 200W
DE BRG 100BC03XP3, ODE BRG 75BC03XP3
MAXIMUM EXPOSED INTERNAL AND EXTERNAL SURFACE
TEMPERATURES DO NOT EXCEED 200C UNDER USUAL
SERVICE CONDITIONS AT 1.0SF
MAXIMUM SPACE HEATER SURFACE TEMPERATURE FOR
NORMAL OPERATION AT RATED CONDITIONS 160C
STAMP NP249A5499AP AS BELOW:
MODEL:5KS511XAA356A S/N: XXX
EX NA IIC T3 GC CSA.09.2216219
CLASS I, ZONE 2, AEX NA IIC T3
CLASS I, DIV 2, GROUPS A, B, C, D T3
-25C <= TAMB <= 40C
FOR DIRECT COUPLED LOAD ONLY
CUSTOM POLYSEAL

Additional Information:

6P - LL EXTN
PAINTED FRAME ID & SHAFT, FAN COVER INSIDE &
ODE E/S OUTSIDE
2500 CU IN - 2(4.00" NPT)
INPRO SEAL BOTH ENDS
OIL RESISTANT SLEEVING ON LEADS
.0015" TIR SHAFT RUNOUT
ROUTINE TEST REPORT AND 5 POINT VIBRATION TEST
REPORT INCLUDED IN C/B

COPPER WASHER UNDER HEADS OF BEARING CAP BOLTS,
APPLY TITE-SEAL (A50CD427A) ON BEARING CAP SCREWS,
RABBETS AND PLUG THREADS.
100 OHM WINDING RTD LEADS TO AUX C/BOX OPP MAIN C/BOX
SUGGESTED WINDING RTD SETTINGS
ALARM 165C TRIP 175C
115V TSTAT CTRLD HTR LDS TO AUX BOX OPP MAIN CONDUIT BOX
SPACE HEATER CAUTION NAMEPLATE
BEARING RTD 100 OHM ON BOTH ENDS
SUGGESTED BEARING RTD SETTINGS
ALARM 115C TRIP 125C
NEMA TYPE GRD PAD
F1 MOUNTING

Performance Characteristics

1st Winding 1st Connection

Design: 50BD3186E

Marks:

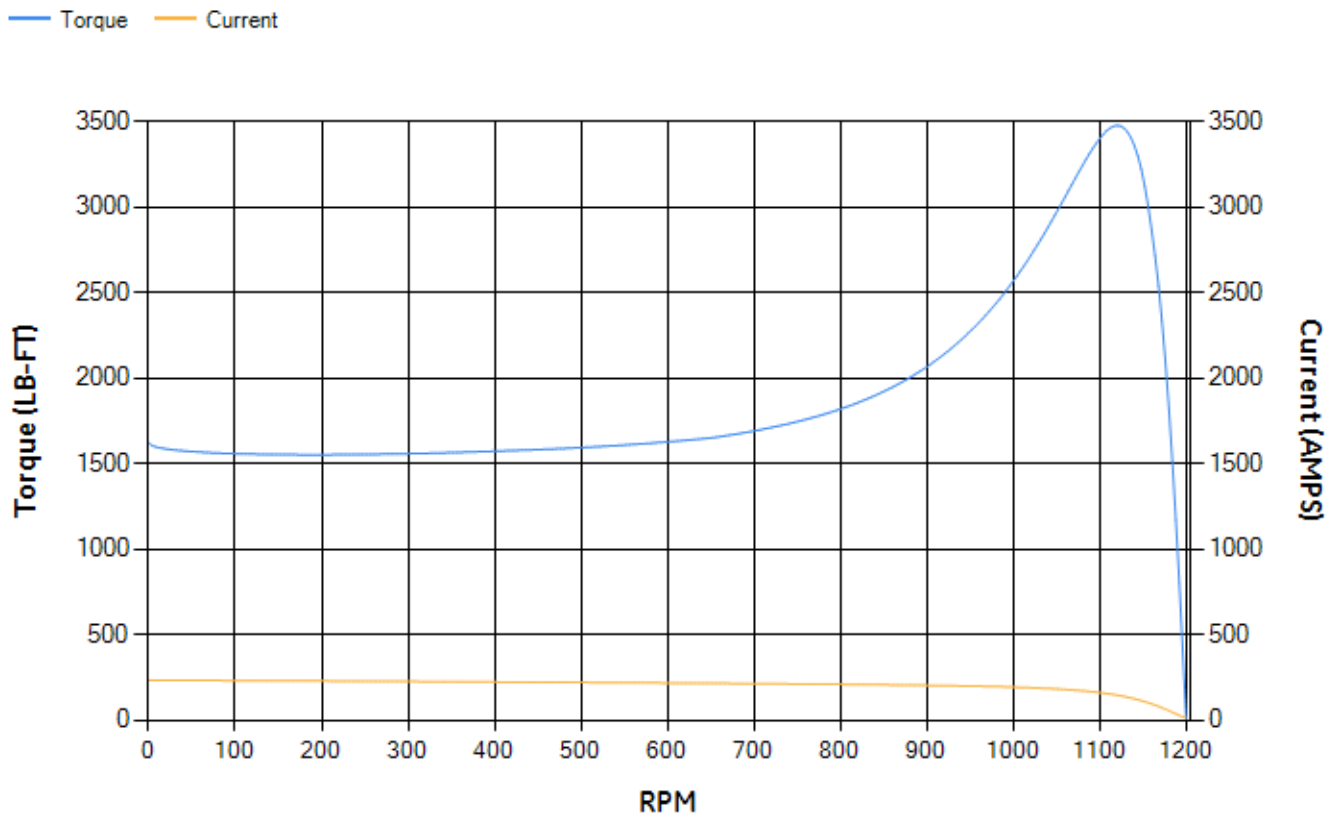
LOAD %	125.0	115.0	100.0	75.0	50.0	25.0	0.0
% EFF	94.92	95.16	95.67	95.76	95.54	93.5	0.00
% PF	85.43	85.22	84.43	81.17	72.86	51.39	3.48
AMPS	49.78	45.79	40	31.16	23.19	16.8	13.68

TORQ(FL)#FT	1328.8	TORQ(LR)%FL	121.98	TORQ(BD)%FL	261.12
AMPS(LR)	232.45	PF AT START	0.26		

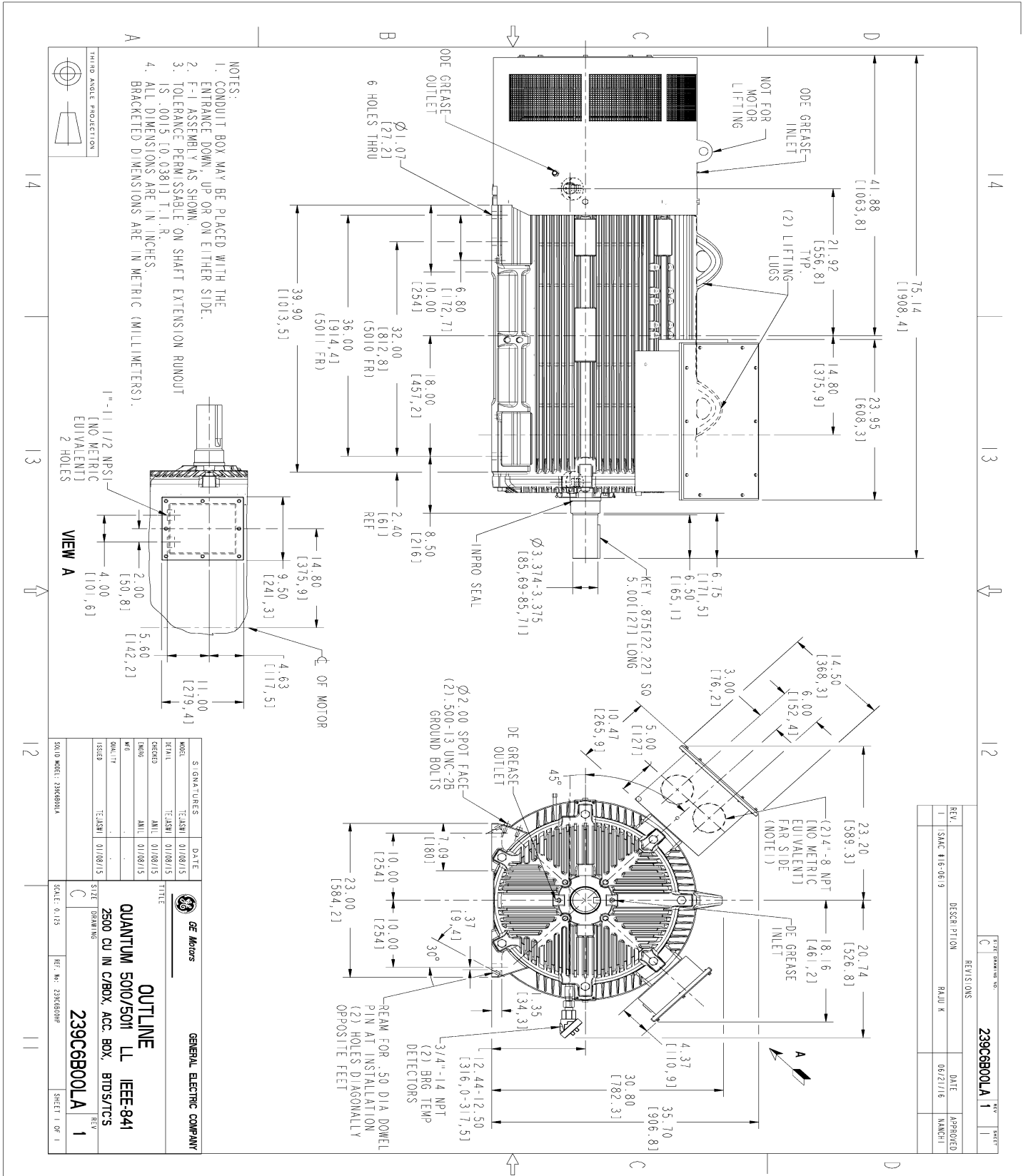
This motor is capable of two cold or one hot start with a maximum connected load inertia of 17332 Lb-Ft Sq (729.68 Kg-meter Sq)at 100% voltage, where the load torque varies with the square of the speed. Acceleration time with maximum inertia and the above load type is 47 seconds. Safe stall time at 100% voltage is 99 seconds cold, 59 seconds hot. Rotor inertia is 230.95 Lb-Ft Sq (9.72 Kg-meter Sq).

Open Circuit A-C:	0.62	Short Circuit D-C:	0.035
Short Circuit A-C:	0.035	X/R Ratio:	13.179
Stator Slots:	72	Rotor Slots:	58

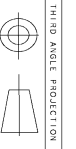
Speed Torque Current Curve (First Connection, First Speed)



Marks:



- NOTES:
1. CONDUIT BOX MAY BE PLACED WITH THE ENTRANCE DOWN, UP OR ON EITHER SIDE.
 2. F-1 ASSEMBLY AS SHOWN.
 3. TOLERANCE PERMISSABLE ON SHAFT EXTENSION RUNOUT IS .0015 TO .0381 T.I.R.
 4. ALL DIMENSIONS ARE IN INCHES. BRACKETED DIMENSIONS ARE IN METRIC (MILLIMETERS).



THIRD ANGLE PROJECTION

1"=1 1/2 NPSI
(NO METRIC EQUIVALENT)
2 HOLES

VIEW A

MODEL	TEJSMI	DATE	01/08/15
SCALE	TEJSMI	DATE	01/08/15
DESIGN	ANIL	DATE	01/08/15
CHKD	ANIL	DATE	01/08/15
DATE	01/08/15		
ISSUED	TEJSMI	DATE	01/08/15
SIZE	C	DRAWING	239C6B00LA
REV	1		

GENERAL ELECTRIC COMPANY

OUTLINE
QUANTUM 5010/5011 LL IEEE-841
2500 CU IN C/BOX, ACC. BOX, BRDS/TC'S

239C6B00LA

SCALE: 0.125 REF. NO. 239K500HW

SHEET 1 OF 1

REV.	DESCRIPTION	DATE	APPROVED
1	SAC #16-06-9	06/21/16	MANCHI

REV. DATE

REV. DATE

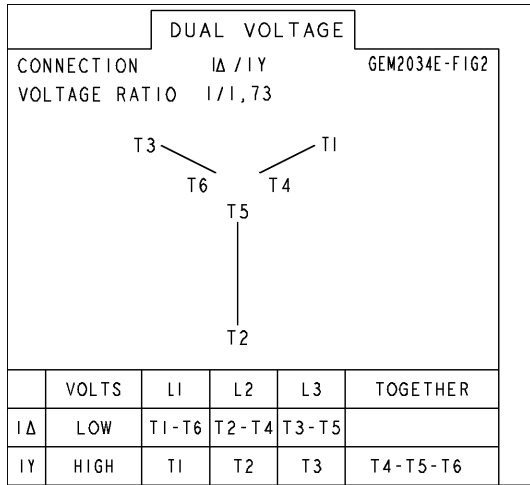
REV. DATE

REV. DATE

239C6B00LA 1

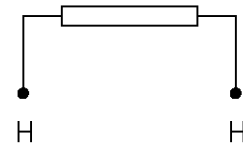
Marks:

Connection Diagram
GEM2034E-FIG2



Heater Connection
3027JE-1

FIG. 1
HEATER CONN.



CONTROL	L1	L2
VOLTAGE ONLY	H	H

SHEET

REV

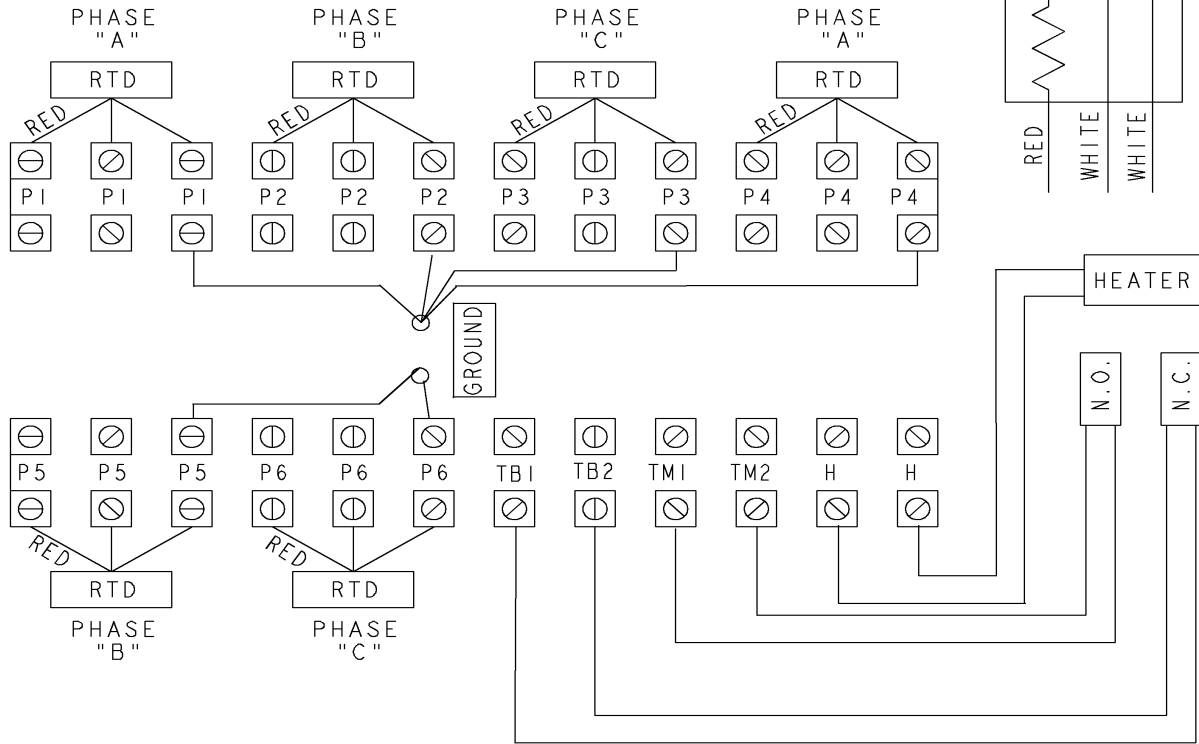
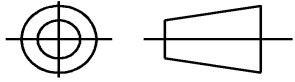
235A3027WN

SIZE DRAWING NO. A

GE PROPRIETARY INFORMATION
 This document is the property of General Electric Company ("GE") and contains proprietary information of GE. This document is loaned on the express condition that neither it nor the information contained therein shall be disclosed to others without the express written consent of GE Industrial Systems, and that the information shall be used by the recipient only as approved expressly by GE Industrial Systems. This document shall be returned to GE upon its request. This document may be subject to certain restrictions under U.S. export control laws and regulations.

REVISIONS			
REV.	DESCRIPTION	DATE	APPROVED

THIRD ANGLE PROJECTION



- NOTE 1: TERMINAL LABELS ARE PROVIDED FOR ACCESSORIES THAT MAY OR MAY NOT BE INCLUDED WITH THE MOTOR.
- NOTE 2: SPARE RTDS (P7 & P8) FURNISHED IN CASE OF FAILURE IN OTHER RTDS (P1-P6). PHASE LOCATION WILL DEPEND UPON NUMBER OF POLES WINDING CONFIGURATION.
- NOTE 3: IT IS RECOMMENDED THAT RTDS BE GROUNDED AT EITHER THE MACHINE OR CONNECTED TO A GROUNDED CONTROL CIRCUIT. FOR PROPER OPERATION DO NOT GROUND AT THE MACHINE IF CONNECTED TO A GROUND CIRCUIT AT THE CONTROL.

Part must conform to SI 900000 Sect. 4, Toxicity Procedure

FOR ADDITIONAL INFO REFER TO:	SIGNATURES	DATE
APPLIED PRACTICES	MODEL	
DIMENSIONS ARE IN INCHES	DETAIL VIVEK	07/19/13
TOLERANCE ON:	CHECKED VIJAY	07/19/13
1 PL DECIMALS ± 0.1	ENGRG	
2 PL DECIMALS ± 0.02	MFG	
3 PL DECIMALS ± 0.005	QUALITY	
ANGLES ± 0.5	ISSUED VIVEK	07/19/13
FRACTIONS ±		
FINISH ✓		
MATERIAL	SOLID MODEL: MODEL NAME	

GE Motors GENERAL ELECTRIC COMPANY

TITLE **CONNECTION DIAGRAM**

WINDING RTD'S & T'STATS & HEATERS

SIZE DRAWING **A** REV **0**

SCALE: NA SHEET 1 of 1



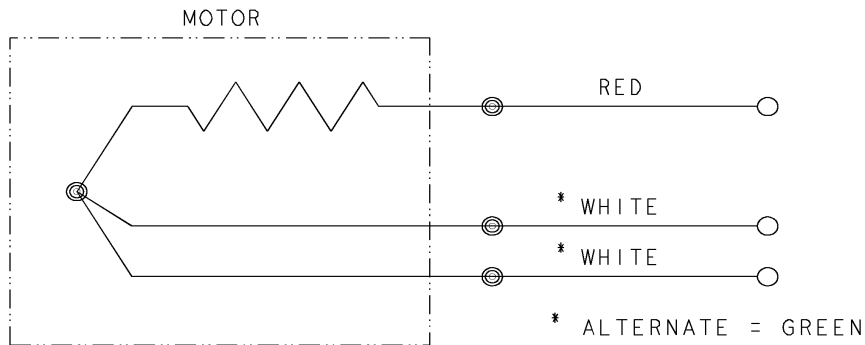
REV SH 1 1	THIRD ANGLE PROJECTION		REVISIONS		
		REV	DESCRIPTION	DATE	APPROVED
		1	ISAAC #12-1124	HARI	11/19/12

SIZE A
 DWG NO 235A3027NA

CONFIDENTIAL AND PROPRIETARY

This document is the property of General Electric Company and contains proprietary and confidential information of the Motor Business Group (MBG). The document is loaned on the express conditions that neither it nor the information contained therein shall be disclosed to others without the express consent of MBG and that the information shall be used by the recipient only as approved expressly by MBG. Also, the document shall be returned to MBG upon its request.

BEARING RTDS



UNLESS OTHERWISE SPECIFIED DIMENSIONS ARE IN INCHES TOLERANCES ON: 2 PL DECIMALS ± 3 PL DECIMALS ± ANGLES ± FRACTIONS ± MATERIAL: APPLIED PRACTICES:	SIGNATURES	DATE	Fort Wayne, Indiana		
	DRAWN D.E. BAIR	12/16/92			
	CHECKED D.E. BAIR	12/16/92			
	ENGRG K. DESAI	12/16/92			
ISSUED D.E. BAIR	12/16/92				
CAD NO. F500:235A3027NA	SIZE A	FSCM NO	DWG NO 235A3027NA	SCALE 1/1 SHEET 1 OF 1	

DISTR TO

