

4

3

2

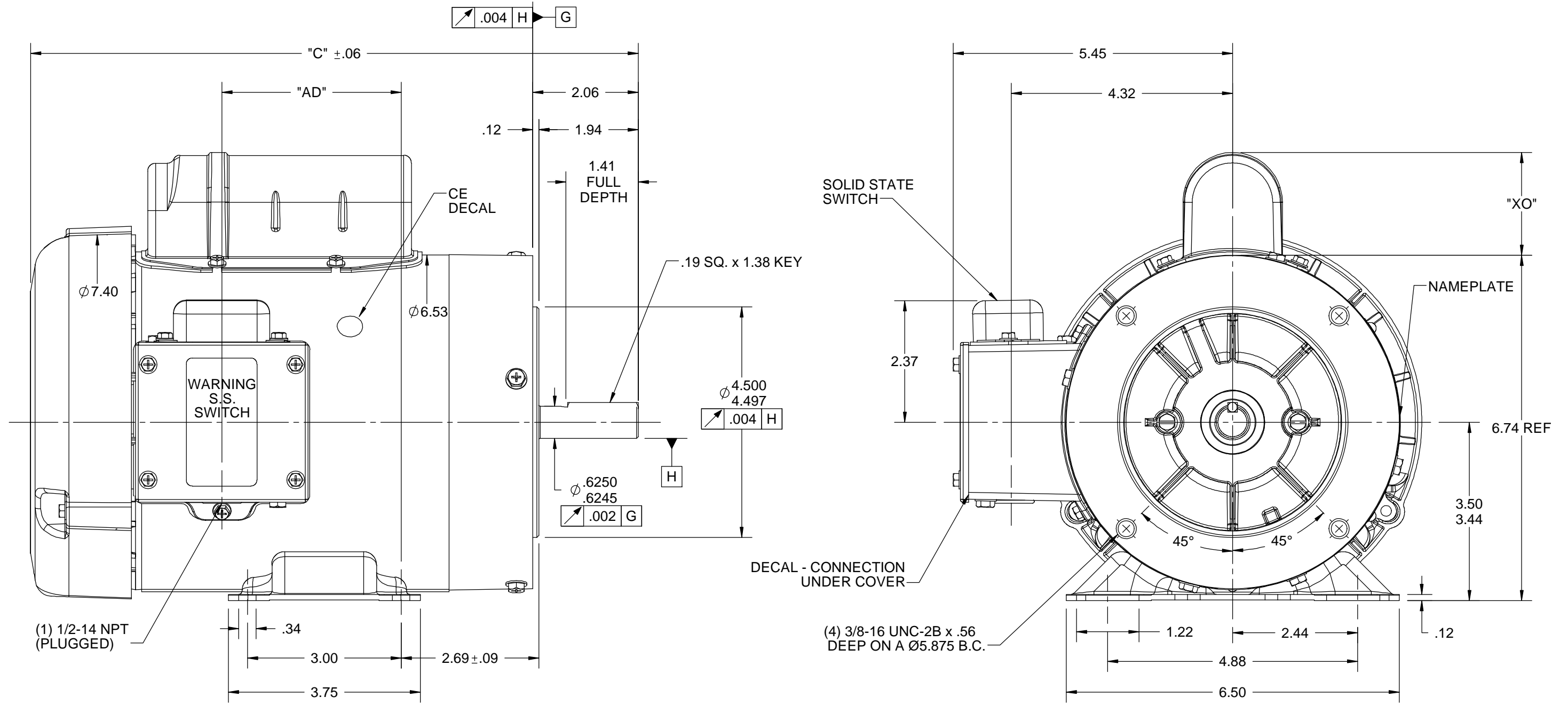
1

B

B

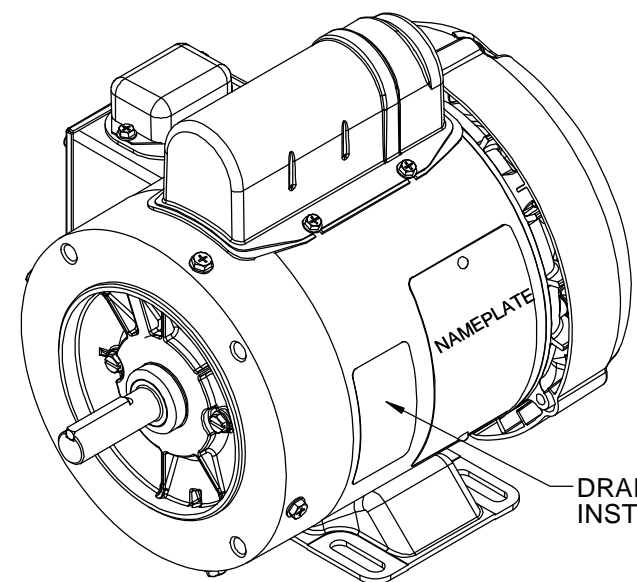
A

A



DASH NO.	"C"	"AD"	CAP. DASH	"XO"
450	10.16	2.00		
475	10.41	2.25		
500	10.66	2.50		
550	11.16	3.00	A	1.54
575	11.41	3.25	B	2.01
600	11.66	3.50	C	2.25
650	12.16	4.00		
700	12.66	4.50		
750	13.16	5.00		

- NOTES:**
- 1) SHAFT SEALS & V-RING.
  - 2) DRAIN HOLES IN ENDBELLS & CONDUIT BOX.
  - 3) GASKETS THROUGHOUT.
  - 4) STAINLESS STEEL SHAFT, HARDWARE, & NAMEPLATE



DRAWING REVISION <b>C</b>	REVISION BY <b>AS</b>	DATE <b>01/23/2018</b>	TOLERANCES UNLESS OTHERWISE SPECIFIED: DEC. INCH mm ANGLE .X ±0.1 [±2.5] ±7° 30" .XX ±0.03 [±0.76] .XXX ±0.005 [±0.127] .XXXX ±0.0005 [±0.0127] REMOVE BURRS & BREAK SHARP EDGES: .003/.015 [.076/.381] X 45° CORNER FILLETS: R.02 [.51] MACHINED SURFACES: 200 5.1 INCH/mm	DRAWN BY <b>RVD 02/26/2009</b>	Regal Beloit America, Inc.
ECO <b>ECO-0138365</b>	APPROVED BY <b>AS</b>	DATE <b>01/23/2018</b>	DATE	DATE	
ECO DESCRIPTION <b>DASH # 575 ADDED</b>			REFERENCE <b>028881</b>	APPROVED BY <b>RVD 02/26/2009</b>	DESCRIPTION <b>OUTLINE</b> TEFC - RIGID "C" FACE
<small>COPYRIGHT REGAL BELOIT AMERICA, INC. ALL RIGHTS RESERVED. PROPRIETARY AND CONFIDENTIAL INFORMATION - THIS DOCUMENT IS THE PROPERTY OF REGAL BELOIT AMERICA, INC. ("OWNER") AND CONTAINS OWNER'S PROPRIETARY INFORMATION. ANY PERSON, CORPORATION OR OTHER FIRM RECEIVING IT IS DEEMED, BY RECEIVING IT, TO AGREE THAT IT, AND/OR ANY PART OF IT, SHALL NOT BE DISCLOSED TO ANY PERSON, CORPORATION OR OTHER ENTITY, DUPLICATED, AND/OR USED, EXCEPT AS EXPRESSLY APPROVED IN WRITING IN ADVANCE BY OWNER. THIS DOCUMENT SHALL BE RETURNED TO OWNER UPON REQUEST. IT MAY BE SUBJECT TO CERTAIN RESTRICTIONS UNDER APPLICABLE EXPORT CONTROL LAWS AND REGULATIONS.</small>			THIRD ANGLE PROJECTION	DATE	MATERIAL <b>WASHGUARD</b>
			SIZE <b>B</b>	DRAWING NUMBER <b>028881ME</b>	PROCESS/FINISH

4

3

2

1