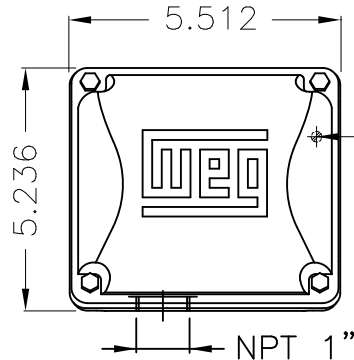
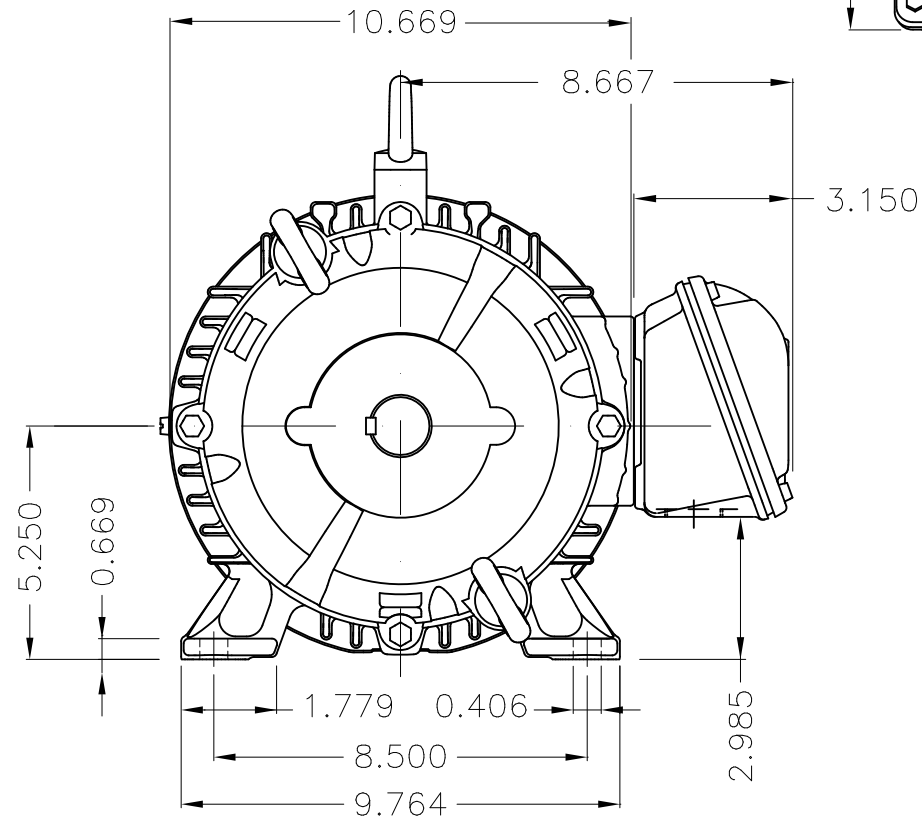
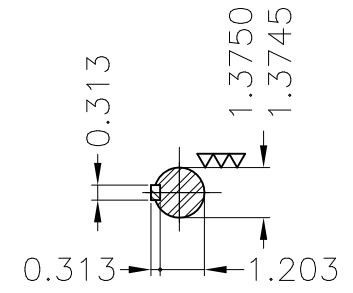
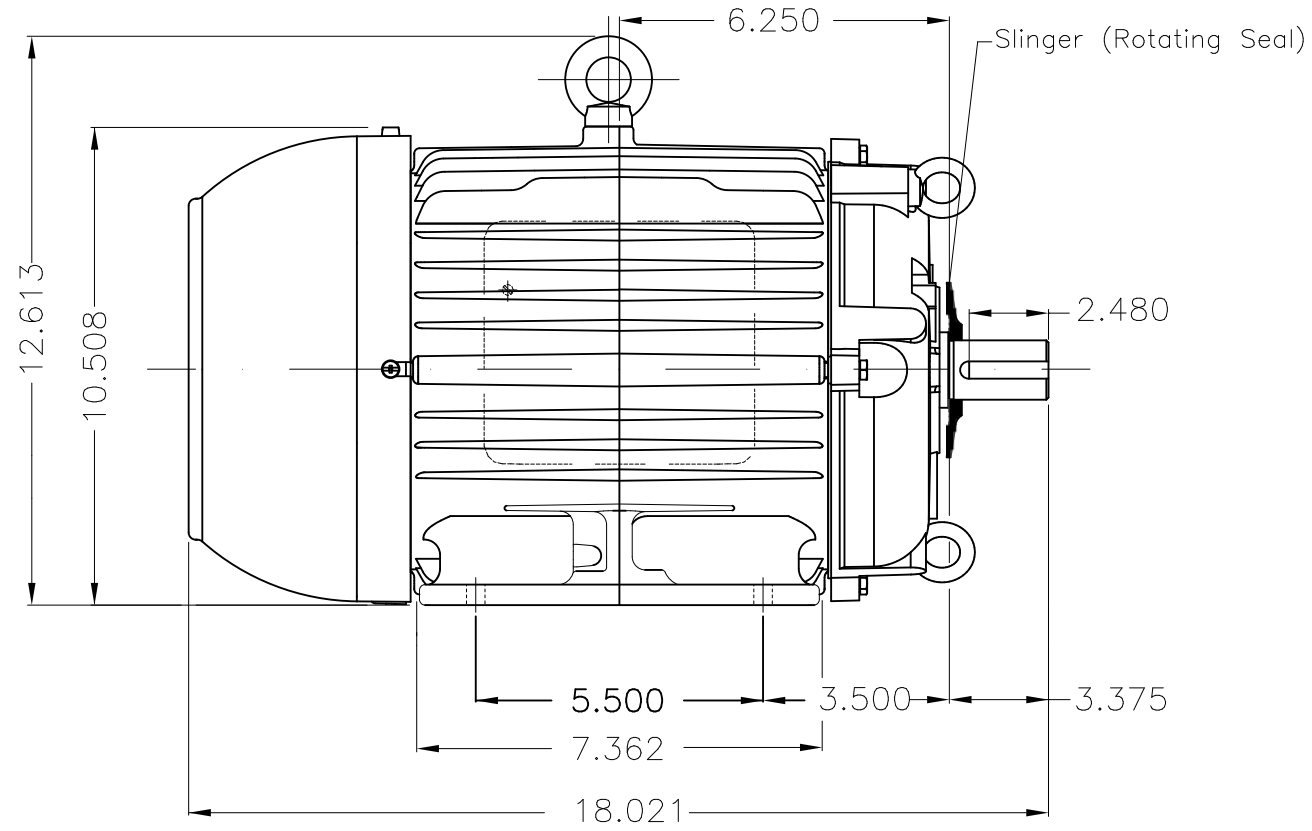


Dimensões em polegada  
Dimensions in inches

THIS IS AN UPDATED REVISION, THE  
PREVIOUS ONE MUST BE DISREGARDED.

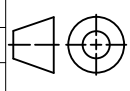


Main terminal box



DE Shaft End

Color RAL 5009  
Painting plan 202E  
Mounting B3L(E)

| ECM      | LOC        | SUMMARY OF MODIFICATIONS  |  |                     | EXECUTED | CHECKED | RELEASED | DATE | VER |
|----------|------------|---|--|---------------------|----------|---------|----------|------|-----|
| EXECUTED | USERADMIN  |  | THREE PH W22 MOTOR COOLING TOWER NEMA EF |                     |          |         |          |      |     |
| CHECKED  |            |   | FRAME 213T IP55 TEFC                     |                     |          |         |          |      |     |
| RELEASED |            |   | WEG code: 11972706                       |                     |          |         |          |      |     |
| REL DT   | 24.07.2017 | WMO   | Jaragua do Sul                           | Product Engineering | SHEET    | 1 / 1   |          |      |     |

3 HP 06 Poles 60Hz

