

Product Information Packet

November 8, 2016

Data shown is for the current revision model #. Ensure your nameplate model # matches.

Model Number:	5KS213STE105A
Catalog Number:	M7705
Instruction Manual:	GEI-M1031
Connection Diagram:	GEM2034E-FIG210
Outline Drawing:	358B6271AA

Accessory Connection Diagrams

Bearing Thermocouple:	None	Heater:	None
RTD:	None	Thermistor:	None
Thermostat:	None	Winding Thermocouple:	None
Bearing RTD:	None		

Table of Contents

Specification	01
Performance Characteristics	02
Outline Drawing	03
Connection Drawing(s)	04



Marks:

MODEL NUMBER:	5KS213STE105A	Estimated Weight:	202 Lbs
Outline Drawing:	358B6271AA	Time Rating:	CONT
Connection Diagram:	GEM2034E-FIG210	Enclosure:	TEFC
Instruction Book:	GEI-M1031	Encl Construction:	SD
Design Code:	21AD0013A	Ambient Max(°C):	40
Type:	KS	Alt Ambient Max(°C):	--
Frame:	213T	Insulation Class:	F
Phases:	3	NEMA Design:	A
Poles:	2	Nominal Efficiency:	89.5 %
Output Power:	7.5HP 5.6KW	Guaranteed Efficiency:	87.5
RPM:	3515	3/4 Load Efficiency:	92.0
Voltage:	230/460	KVA Code:	J
Hertz:	60	Max KVAR:	2.0
Amps - FL:	18.0/9.0	Power Factor:	87.0
Service Factor:	1.15	Bearing - DE:	6308ZZC3
Alt Service Factor:	--	Bearing - ODE:	6208ZZC3

Enclosure is Totally Enclosed Fan-Cooled

Stamped Nameplate Notes:

USABLE AT 200V @ 7.5 HP,20.4 AMPS @ 1.0 SF

LRA: 141.6/70.8

50HZ DATA: 5 HP,200/400V, 15.8/7.9 AMPS @ 1.15 SF

50HZ DATA:7.5 HP,200/400V,20.6/10.3 AMPS @ 1.00 SF

GREASE TYPE: SHELL ALVANIA R3 LITHIUM GREASE

Additional Information:

CONDUIT BOX MATERIAL: CAST IRON

SUITABLE FOR USE IN CLASS I DIVISION 2 LOCATIONS

CLASS I DIVISION 2 GROUPS A,B,C,D T3C

CLASS I ZONE 2 IIC T3C



Performance Characteristics

1st Winding 1st Connection

Design: 21AD0013A

Marks:

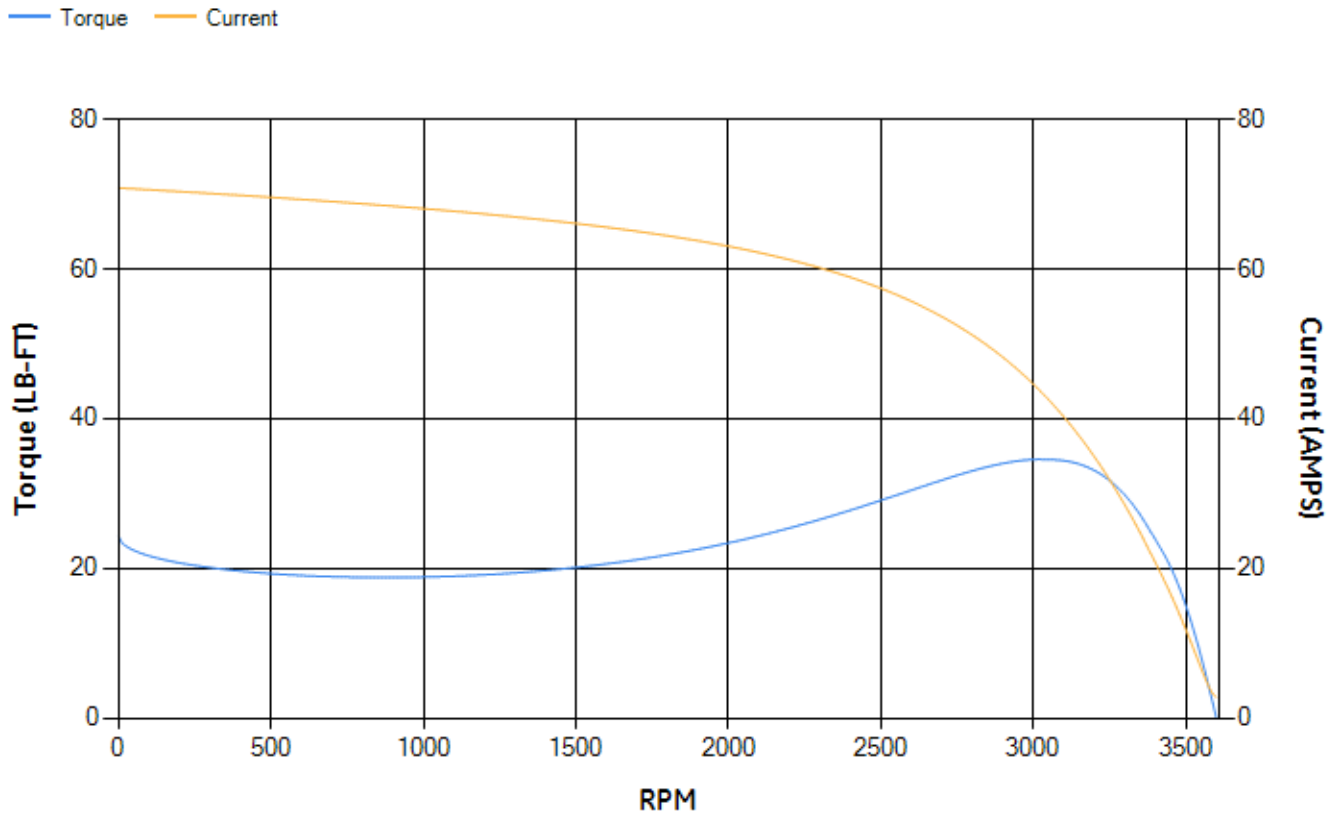
LOAD %	125.0	115.0	100.0	75.0	50.0	25.0	0.0
% EFF	90.12	90.66	91.54	92.05	91.82	88.42	0.00
% PF	88.1	87.94	87.27	84.41	76.92	56.53	7.08
AMPS	11.05	10.13	8.79	6.78	4.97	3.51	2.77

TORQ(FL)#FT	11.21	TORQ(LR)%FL	216.99	TORQ(BD)%FL	302.47
AMPS(LR)	70.83	PF AT START	0.34		

This motor is capable of two cold or one hot start with a maximum connected load inertia of 40 Lb-Ft Sq (1.68 Kg-meter Sq) at 100% voltage, where the load torque varies with the square of the speed. Acceleration time with maximum inertia and the above load type is 24 seconds. Safe stall time at 100% voltage is 40 seconds cold, 31 seconds hot. Rotor inertia is 0.4 Lb-Ft Sq (0.02 Kg-meter Sq).

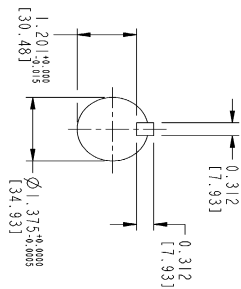
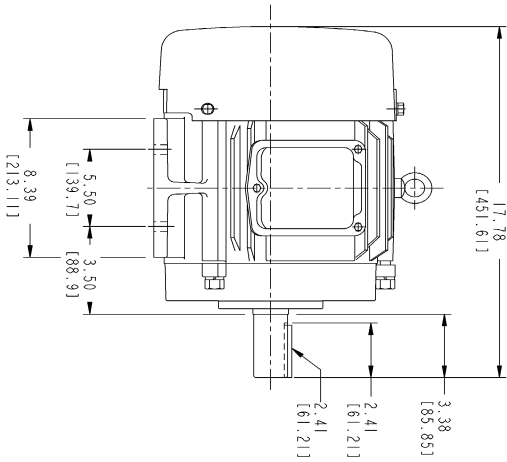
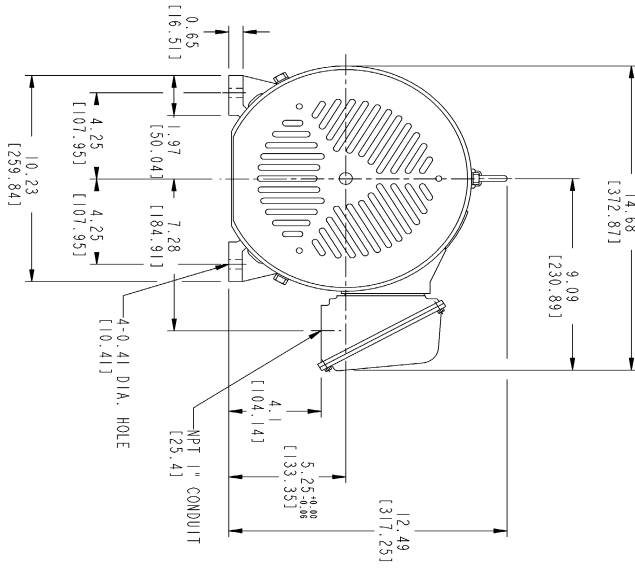
Open Circuit A-C:	0.347	Short Circuit D-C:	0.014
Short Circuit A-C:	0.013	X/R Ratio:	5.25
Stator Slots:	24	Rotor Slots:	18

Speed Torque Current Curve (First Connection, First Speed)



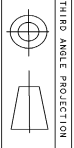
NAME:501291659 OBJECT:358B6271AA DATE:05-Dec-07 10:08:54

Marks:



NOTES :

1. DIMENSIONS ARE IN INCHES.
2. F-1 ASM AS SHOWN.
3. F-2 ASM - HAS CONDUIT BOX ON OPPOSITE SIDE.
4. BRACKETED DIMENSIONS ARE METRIC (MILLIMETERS)
5. ICA11, IP94, MB34 APPLY



THIRD ANGLE PROJECTION

Part must conform to SI 900000 Sect. 4, Toxicity Procedure

REV.	DESCRIPTION	DATE	APPROVED

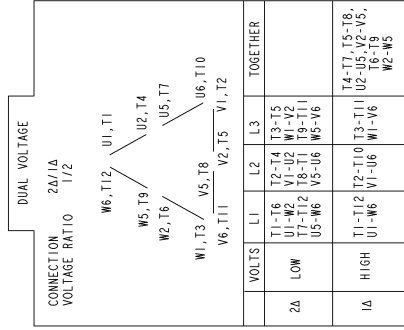
358B6271AA 0 1

FOR ADDITIONAL INFO REFER TO:	SIGNATURES	DATE
REFLECTED DIMENSIONS	MOELL	11/05/07
UNLESS OTHERWISE SPECIFIED DIMENSIONS ARE IN INCHES	SQUINTRA	11/05/07
TOLERANCE ON:	SALATI	11/05/07
F L DECIMALS ±	KRUE	11/05/07
M L DECIMALS ±	R. KOHNE	11/05/07
S L DECIMALS ±	WISSE	11/05/07
ANGLES ±	SQUINTRA	11/05/07
FRACTIONS ±		
FINISH		

MATERIAL	SOLID MODEL MODEL NAME	SCALE:	C
<p>GE Consumer & Industrial</p> <p>GENERAL ELECTRIC COMPANY</p> <p>OUTLINE</p> <p>FTD - 23T TERC GE MARK</p> <p>66.7 CU IN CONDUIT BOX</p>		STY	DRAWING
<p>358B6271AA</p>		REV	0
SHEET 1 OF 1			

Marks:

Connection Diagram
GEM2034E-FIG210



NAME:501452353 OBJECT:GEM2034E-FIG210 DATE:25-Feb-08 14:03:35

