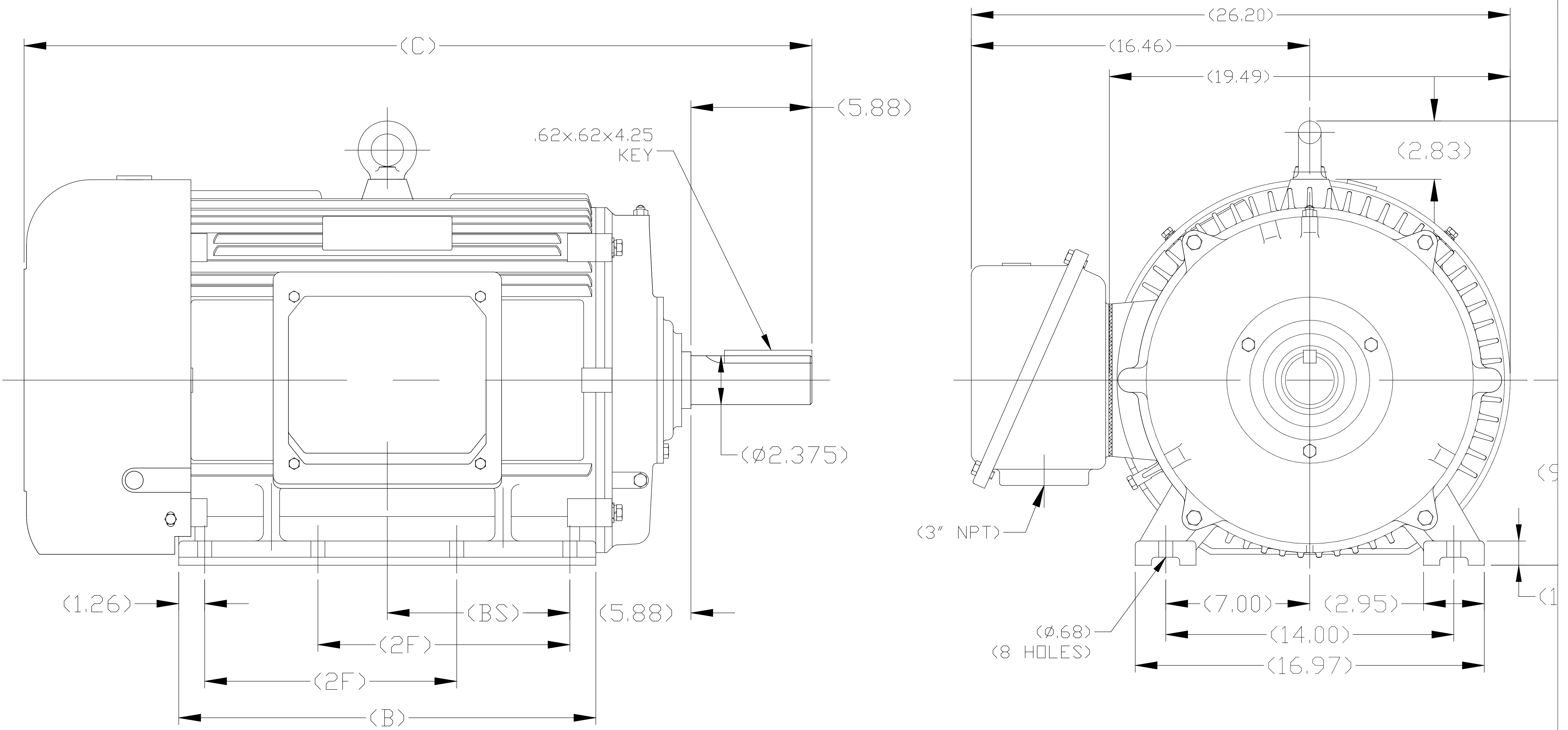



S



(DIMENSIONS IN TABLE ARE CONSIDERED REFERENCE)

364T	36.61	18.50	11.25	7.99
365T	38.39	20.28	12.25	8.88
FRAME	C	B	2F	BS

(MAY NOT BE DRAWN TO SCALE)

		TOLERANCES UNLESS SPECIFIED		 <b>REGAL - BELOIT CORPORATION</b>	DRG
		DEC.	INCHES		CHK
		X	±.1		APP
		XX	±.03	TITLE	SCA
K	CORRECTED DESCRIPTION ECD-0112150	WGJ 10/31/16	EH XXX ±.005	364/365T FR. - TEFC - CAST IRON	REF
1	ADDED 'BS' DIM. PER. ECD-0048910	RFH04/07/2014	EH XXXX ±.0005	MAT'L.	FMP
NO.	REVISION	BY & DATE	CHK ANG ±1/2	FINISH	PRE
THIS DRAWING IN DESIGN AND DETAIL IS OUR PROPERTY AND MUST NOT BE USED EXCEPT IN CONNECTION WITH OUR WORK ALL RIGHTS OF DESIGN AND INVENTION ARE RESERVED THIS IS AN ELECTRONICALLY GENERATED DOCUMENT - DO NOT SCALE THIS PRINT		RFP	CAD FILE	SS620115	SIZE DRAWING NO.
		DIST		B	SS62