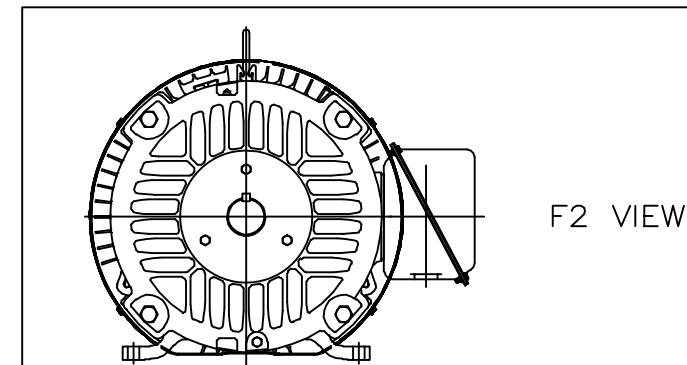
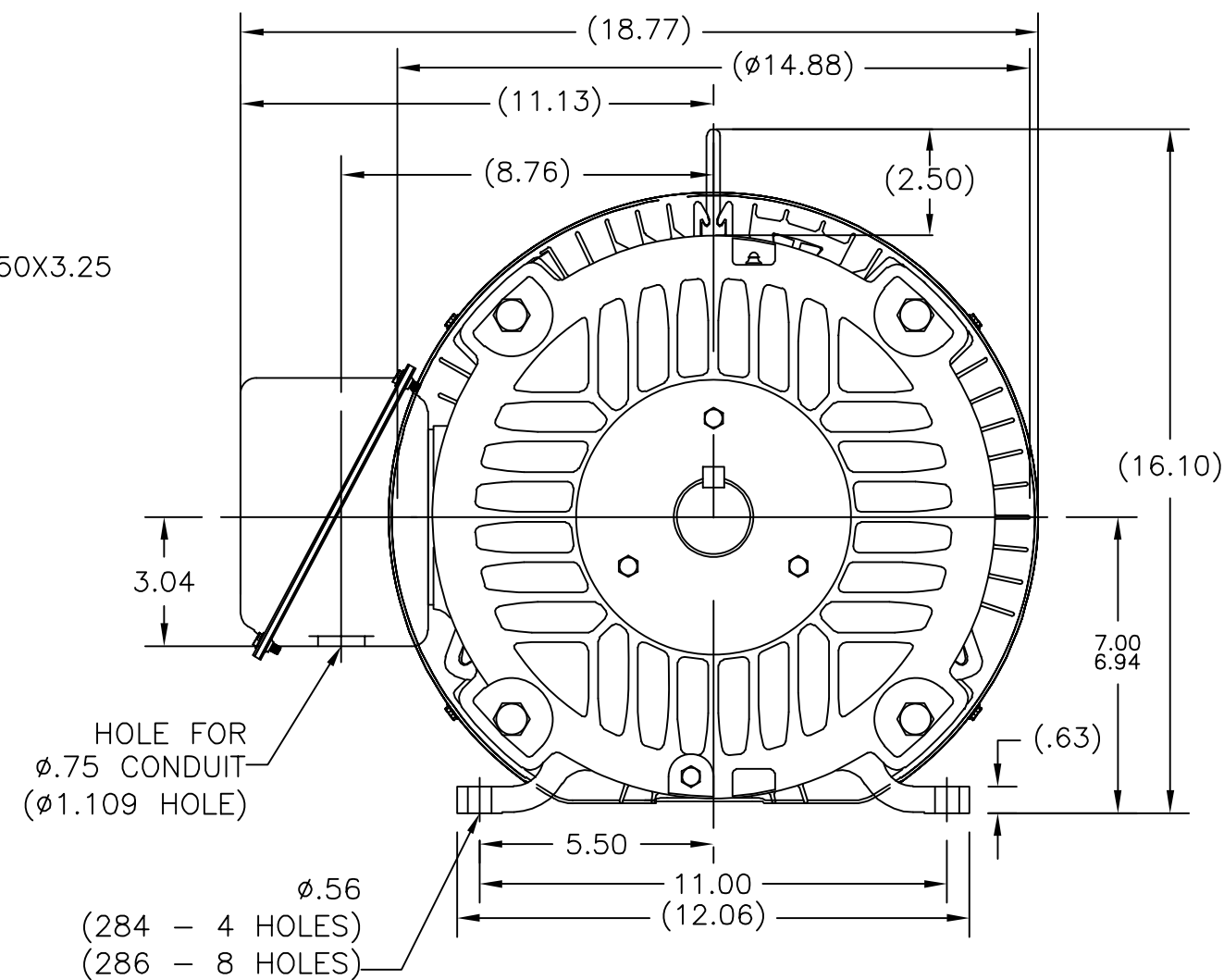
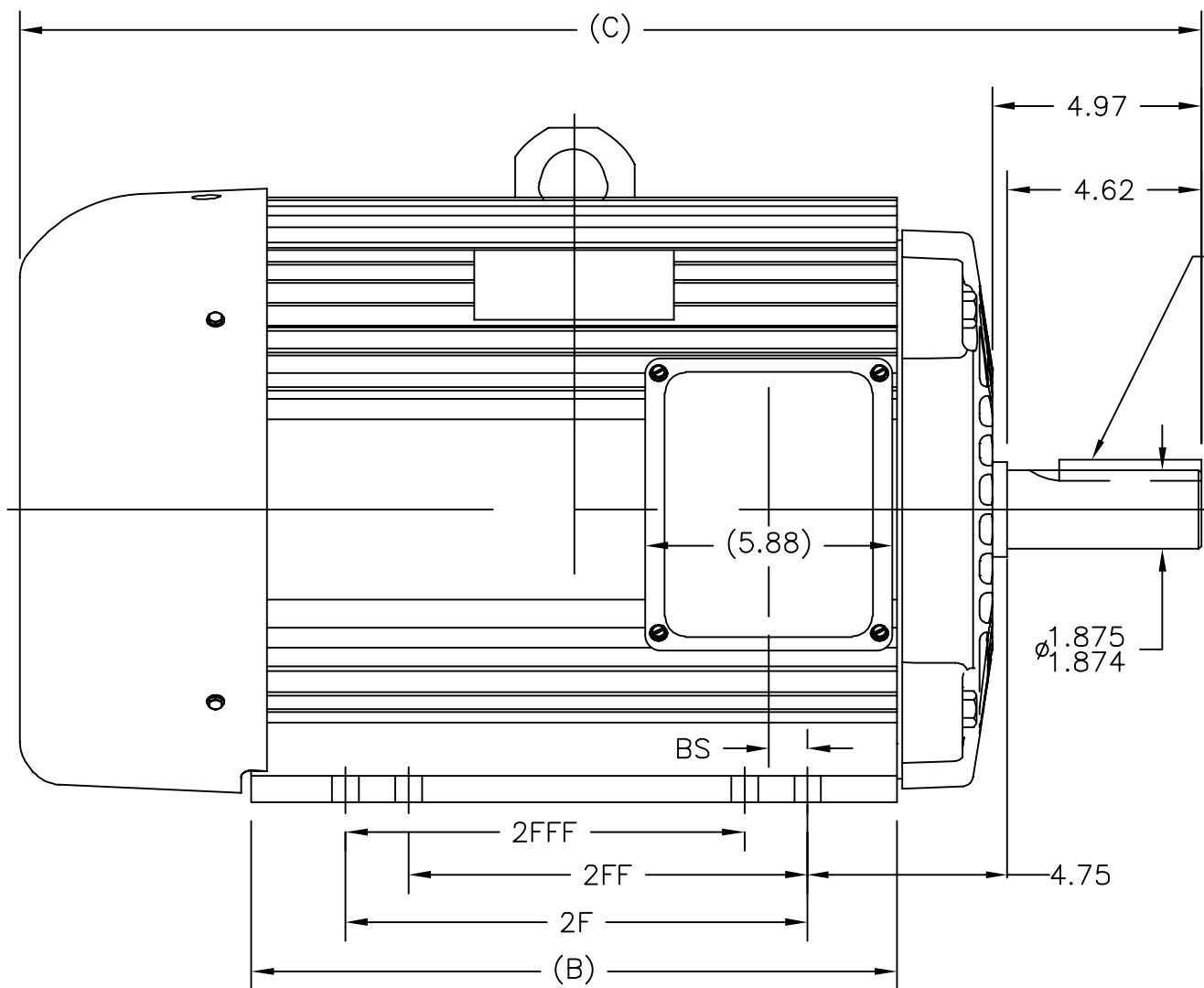


XF5F1SS1



- NOTES:  
 1. CONDUIT BOX CAN BE ROTATED IN 90° STEPS.  
 2. CONDUIT BOX CAN BE MOUNTED ON OPPOSITE SIDE BY REMOVING BRACKETS AND TURNING FRAME 180°.  
 3. NAMEPLATE TO BE READ FROM CONDUIT BOX SIDE OF MOTOR.

1525	286T	28.12	---	15.37	11.00	9.50	9.50	.92
1375	284T	26.62	---	13.87	9.50	---	---	.92
DASH	FRAME	C	AG	B	2F	2FF	2FFF	BS

NO.	REVISION	BY & DATE	CHK	ANG	TOLERANCES UNLESS SPECIFIED		FINISH	DRAWN	PAGE	REV.	
					DEC.	INCHES					
5	REVISED KEYWAY, WAS 3.38 PER. ECO-0051977	RFH 05/21/2014	EH					JTB	09-05-2001		
4	0.75 CONDUIT WAS 0.75 HOLE	CN 3845 HLB 09-28-2004	ML	.X	±.1			DRS	09-05-2001		
3	REVISED 2FF DIMENSION	CN 3345 JAT 03-26-2004	ML	.XX	±.03			JMM	09-05-2001		
2	KEY WAS .38X.38X1.88	CN 3170 BJK 07-24-2002	ML	.XXX	±.005						
1	NEW DRAWING	TJB 09-06-2001		.XXXX	±.0005						
THIS DRAWING IN DESIGN AND DETAIL IS OUR PROPERTY AND MUST NOT BE USED EXCEPT IN CONNECTION WITH OUR WORK ALL RIGHTS OF DESIGN AND INVENTION ARE RESERVED THIS IS AN ELECTRONICALLY GENERATED DOCUMENT - DO NOT SCALE THIS PRINT			RFP								
			DIST	LB							
TITLE OUTLINE 280T FR. TEFC - UE								CAD FILE	xf5f1ss1	SIZE	B
								DRAWING NO.	XF5F1SS1	PAGE	1 OF 1
								REV.	5		

