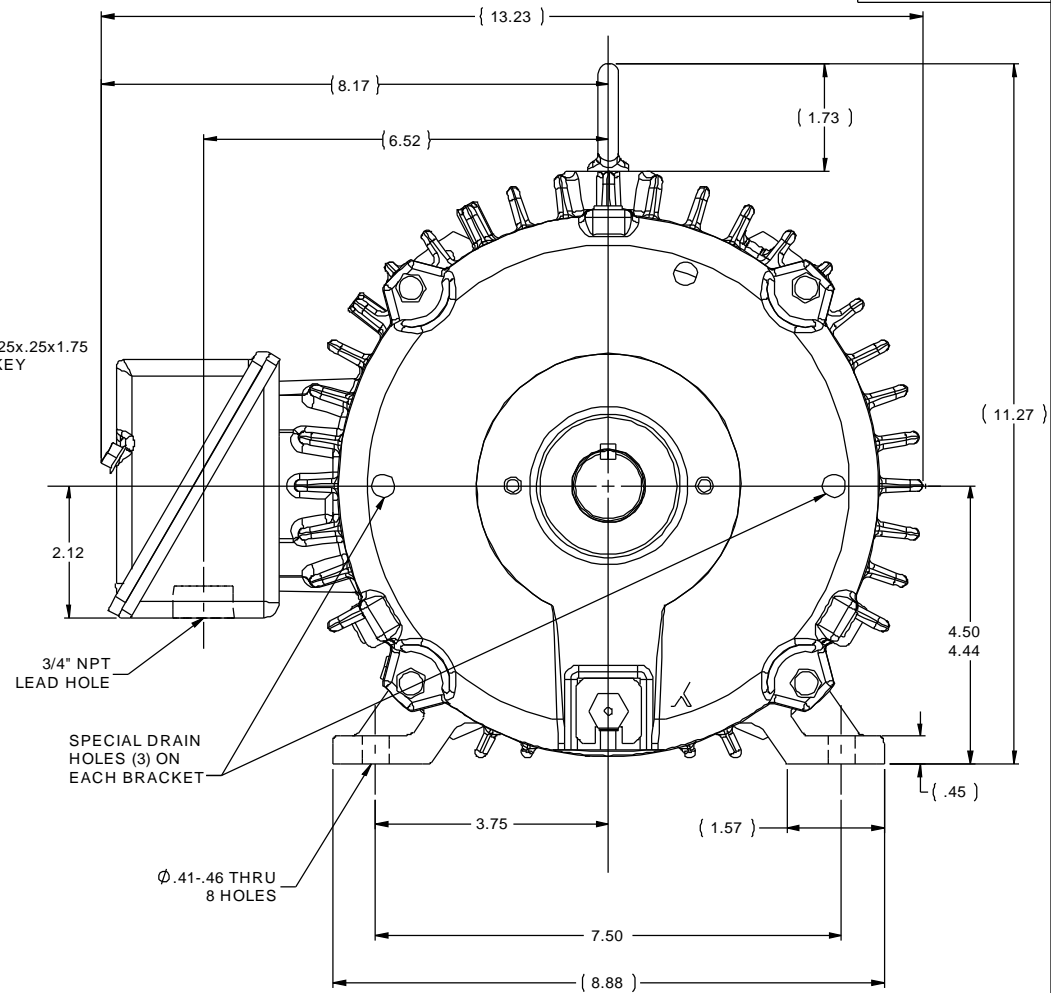
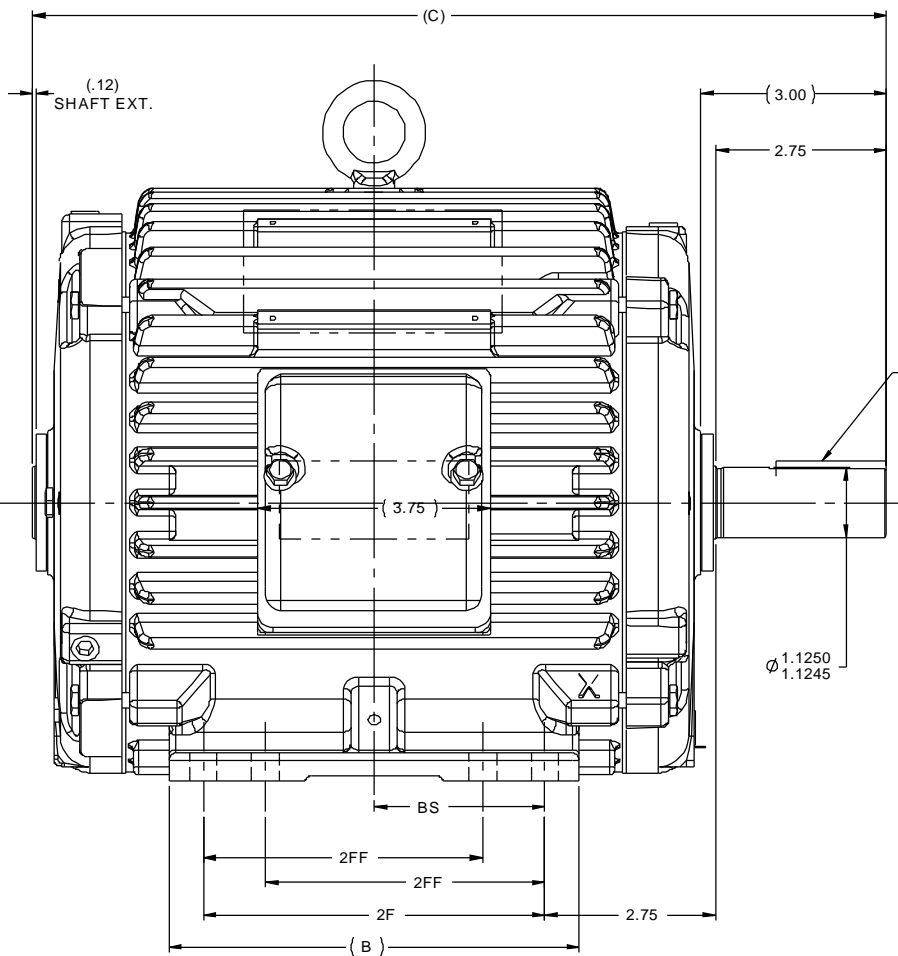


036004LE



- NOTES:
 1. NAMEPLATE TO BE READ FROM CONDUIT BOX SIDE OF MOTOR.
 2. CONDUIT BOX CAN ROTATED IN 90° STEPS.
 3. CONDUIT BOX CAN BE MOUNTED ON OPPOSITE SIDE BY REMOVING BRACKETS AND TURNING FRAME 180°

1000	184	15.82	8.61	7.50	5.50	3.75
800	182/184	13.82	6.61	5.50	4.50	2.75
DASH	FRAME	C	B	2F	2FF	BS

		TOLERANCES UNLESS SPECIFIED		ELECTRIC MOTORS GEARMOTORS AND DRIVES		DRAWN PVR 08/12/13	
		DEC	INCHES			CHK SR 08/12/13	
		X	±.1	TITLE OUTLINE - TEFC		APPR	
		XX	±.03	180 FR. - CAST C'BOX - INPRO SEALS		SCALE 1:2	
		XXX	±.005	MAT'L		REF 035661	
		XXXX	±.0005	FINISH		FMF	
NO	REVISION	BY & DATE	CHK ANG ±7'30"	CAD FILE		SIZE	DRAWING NO
THIS DRAWING IN DESIGN AND DETAIL IS OUR PROPERTY AND MUST NOT BE USED EXCEPT IN CONNECTION WITH OUR WORK. ALL RIGHTS OF DESIGN AND INVENTION ARE RESERVED. THIS IS AN ELECTRONICALLY GENERATED DOCUMENT - DO NOT SCALE THIS PRINT				RFP	036004LE	B	036004LE
				DIST			REV