

Product Information Packet

January 12, 2017

Data shown is for the current revision model #. Ensure your nameplate model # matches.

Model Number:	5KS182CAA305B
Catalog Number:	E9601
Instruction Manual:	GEI-56128
Connection Diagram:	GEM2034E-FIG3
Outline Drawing:	4002B5818RAP5201

Accessory Connection Diagrams			
Bearing Thermocouple:	None	Heater:	None
RTD:	None	Thermistor:	None
Thermostat:	3027JE-2A	Winding Thermocouple:	None
Bearing RTD:	None		

Table of Contents	
Specification	01
Performance Characteristics	02
Outline Drawing	03
Connection Drawing(s)	04

Marks:

MODEL NUMBER:	5KS182CAA305B	Estimated Weight:	76 Lbs
Outline Drawing:	4002B5818RAP5201	Time Rating:	CONT
Connection Diagram:	GEM2034E-FIG3	Enclosure:	TEFC
Instruction Book:	GEI-56128	Encl Construction:	XP
Design Code:	18BD3001A	Ambient Max(°C):	40
Type:	KS	Alt Ambient Max(°C):	--
Frame:	182T	Insulation Class:	F
Phases:	3	NEMA Design:	B
Poles:	6	Nominal Efficiency:	87.5 %
Output Power:	1.5HP 1.1KW	Guaranteed Efficiency:	85.5
RPM:	1170	3/4 Load Efficiency:	88.2
Voltage:	230/460	KVA Code:	M
Hertz:	60	Max KVAR:	1.0
Amps - FL:	4.8/2.4	Power Factor:	68.0
Service Factor:	1.00	Bearing - DE:	6206ZC3
Alt Service Factor:	--	Bearing - ODE:	6206ZC3

Enclosure is Totally Enclosed Fan-Cooled

Stamped Nameplate Notes:

EXPLOSION PROOF MOTOR
TEMP CODE T3C
THERMOSTAT LEADS TB1-TB2
STAMP NP249A5571AC "CL I (C & D) CL II (F & G)"

Additional Information:

6P - T EXTN
STANDARD FLOOR MOUNT
C/BOX 26 CU IN-0.75 NPT
F1 CONDUIT BOX MOUNTING
AUX LEADS EXIT WITH MOTOR LEADS
CL I C & D CL II F & G EXPLOSION PROOF MOTOR

Performance Characteristics

1st Winding 1st Connection

Design: 18BD3001A

Marks:

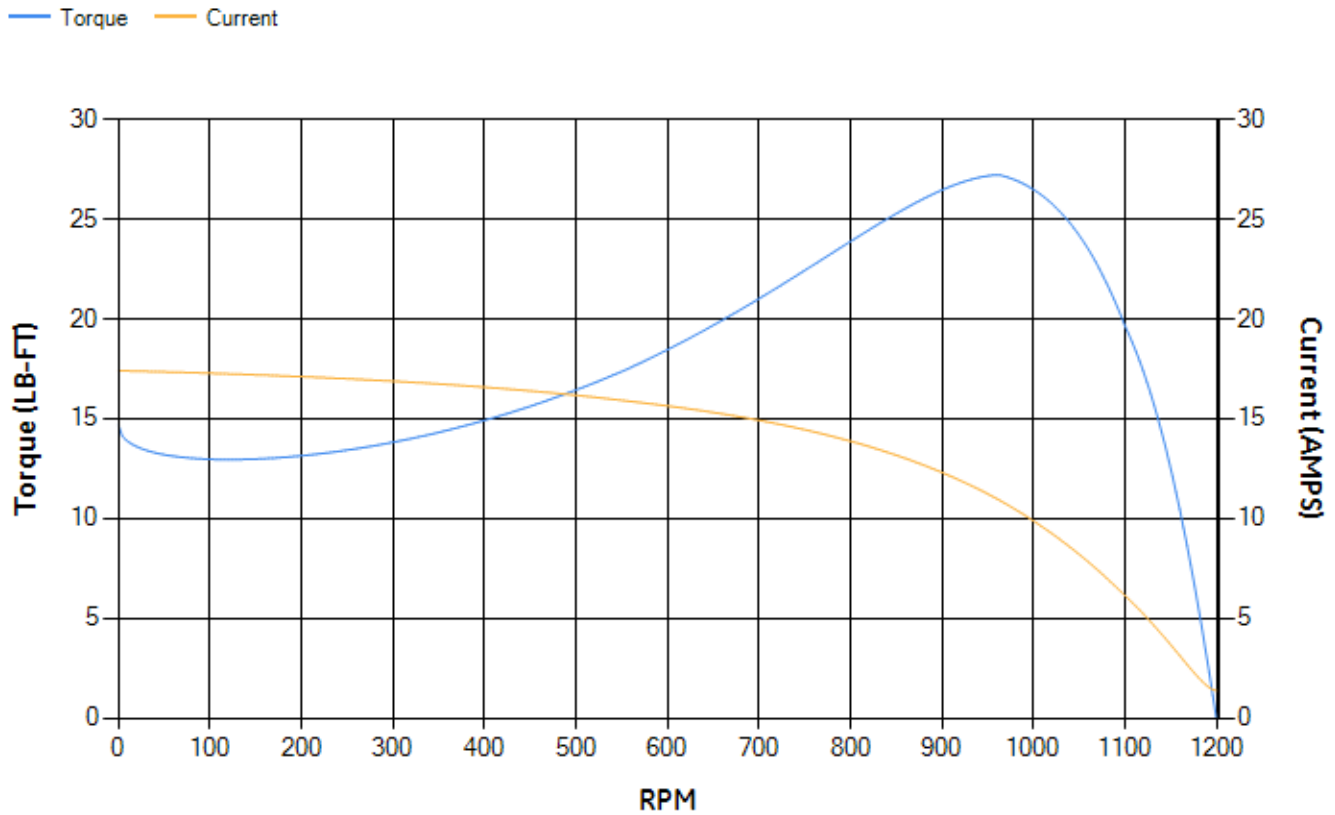
LOAD %	125.0	115.0	100.0	75.0	50.0	25.0	0.0
% EFF	87.54	87.89	88.45	88.19	86.52	79.53	0.00
% PF	73.63	71.73	69.93	59.69	46.9	28.68	5.86
AMPS	2.72	2.56	2.27	2	1.73	1.54	1.37

TORQ(FL)#FT	6.72	TORQ(LR)%FL	218.46	TORQ(BD)%FL	396.13
AMPS(LR)	17.41	PF AT START	0.46		

This motor is capable of two cold or one hot start with a maximum connected load inertia of 260 Lb-Ft Sq (10.95 Kg-meter Sq)at 100% voltage, where the load torque varies with the square of the speed. Acceleration time with maximum inertia and the above load type is 63 seconds. Safe stall time at 100% voltage is 139 seconds cold, 117 seconds hot. Rotor inertia is 0.35 Lb-Ft Sq (0.01 Kg-meter Sq).

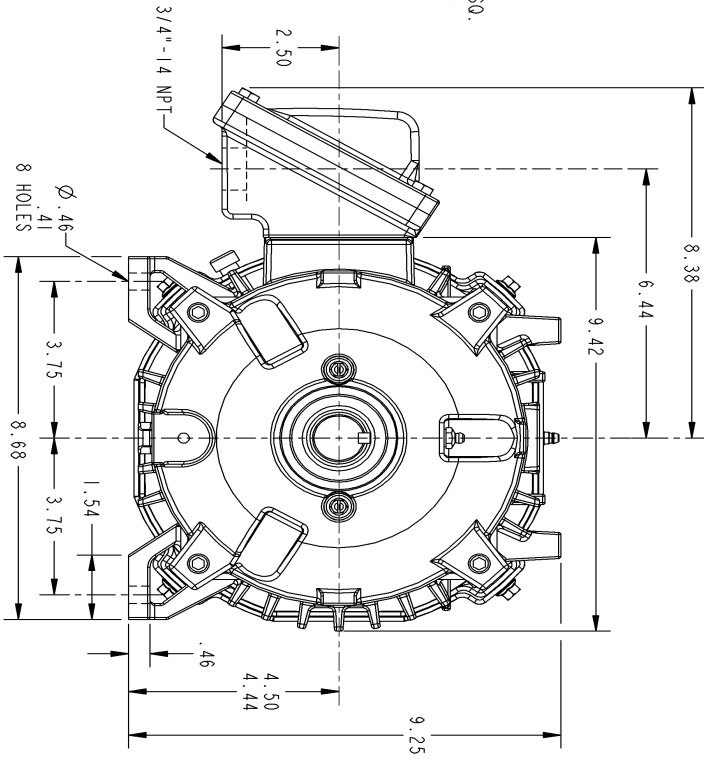
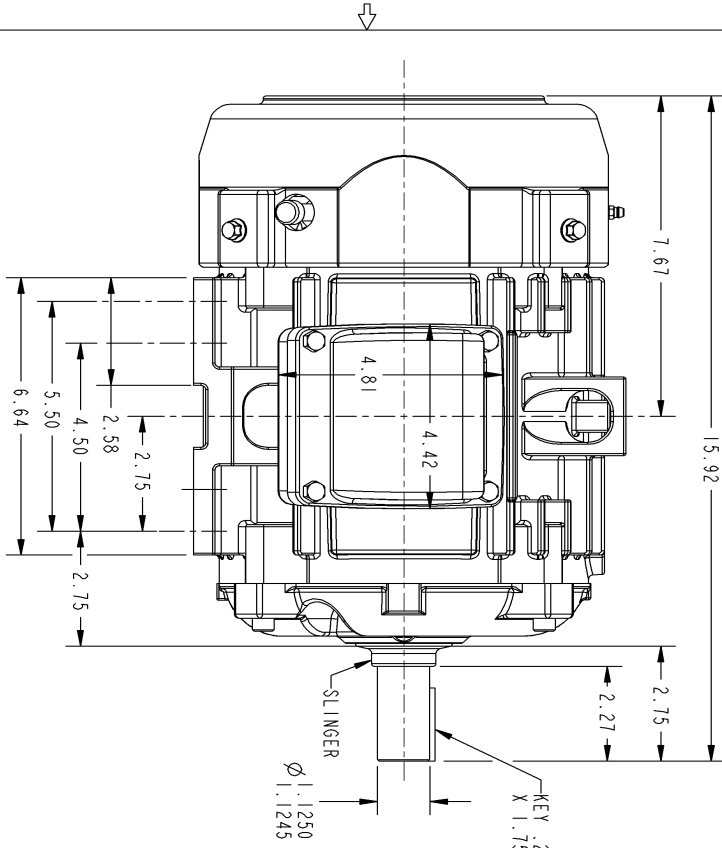
Open Circuit A-C:	0.162	Short Circuit D-C:	0.008
Short Circuit A-C:	0.011	X/R Ratio:	3.204
Stator Slots:	36	Rotor Slots:	48

Speed Torque Current Curve (First Connection, First Speed)



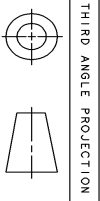
Marks:

NOTE 1: CONDUIT BOX MAY BE ASSEMBLED WITH ENTRANCE UP, DOWN OR TO EITHER SIDE.
 NOTE 2: F1 ASSEMBLY AS SHOWN. F2 ASSEMBLY CONDUIT BOX ON OPPOSITE SIDE FROM SHOWN LOCATION.



SIZE 0
 4002B5818RAP5201

REV.	DESCRIPTION	DATE	APPROVED



SIGNATURES	DATE	REV
DRWN: GARY WARRNER	APR 24/02	0
CHEK: GARY WARRNER	MAY 01/02	
ISSD: GARY WARRNER	MAY 02/02	

APPLIED PRACTICES

GE Industrial Systems
 GENERAL ELECTRIC COMPANY
 Fort Wayne, Indiana

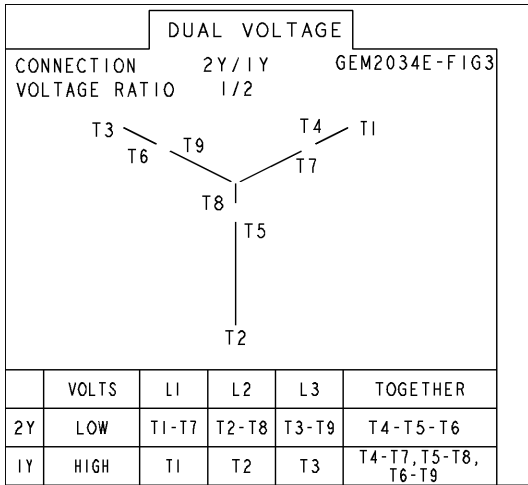
INDUCTION MOTOR OUTLINE
 STANDARD CONSTRUCTION
 FME: FR180T FCXP XSD ULTRA

SIZE: DRAWING B
 SCALE: 0.400 REF. NO: 4002B5818RAP5201 SHEET 1 OF 1

DISTRIBUTION: PMP-18K15

Marks:

Connection Diagram
GEM2034E-FIG3



Thermostat Connection
3027JE-2A

