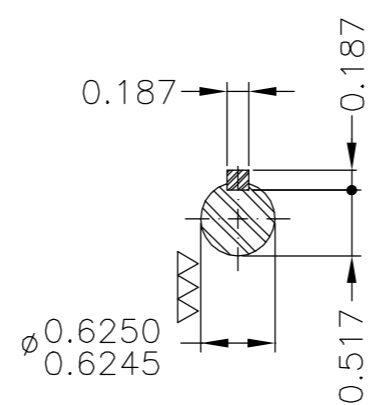
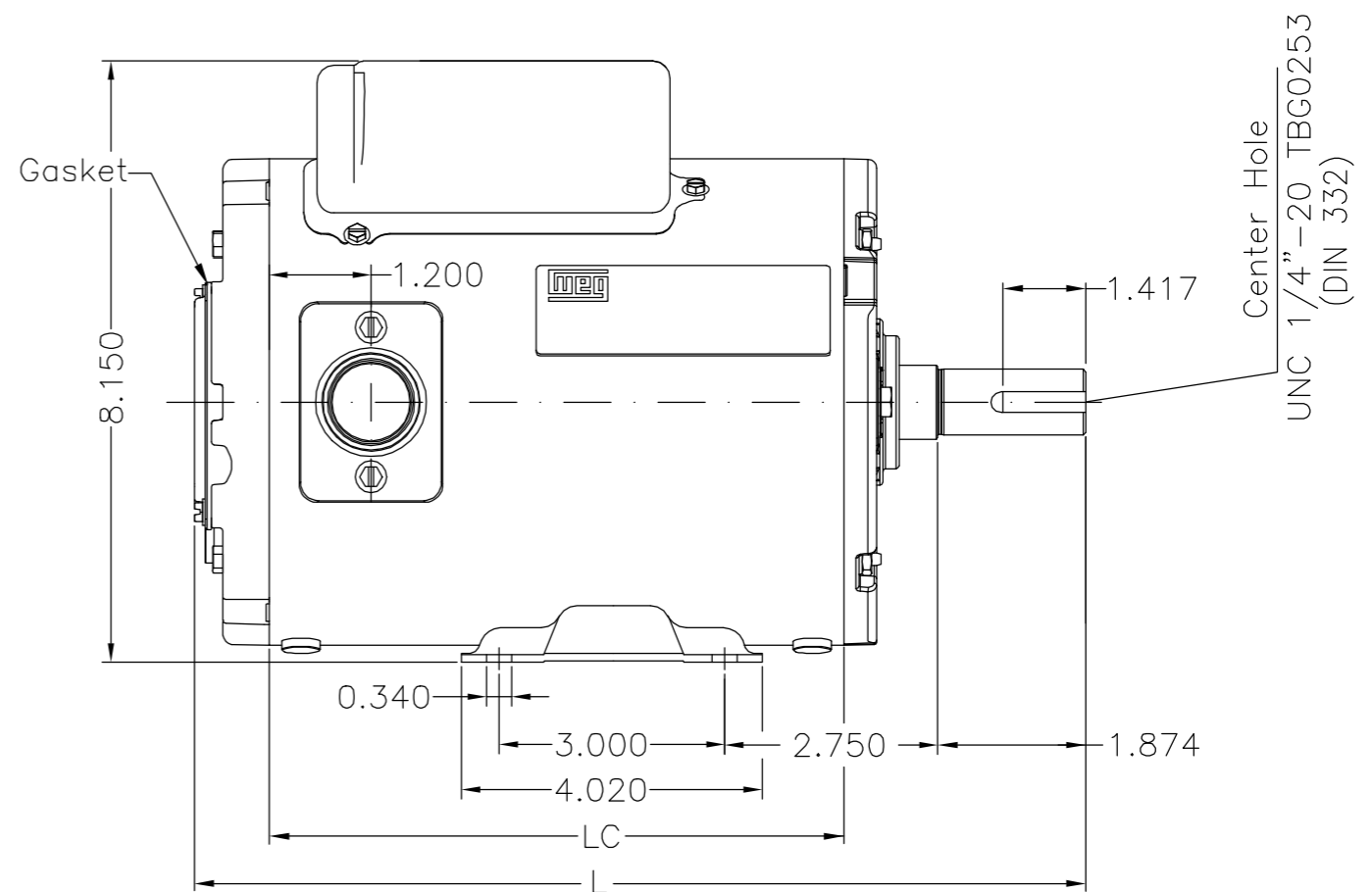
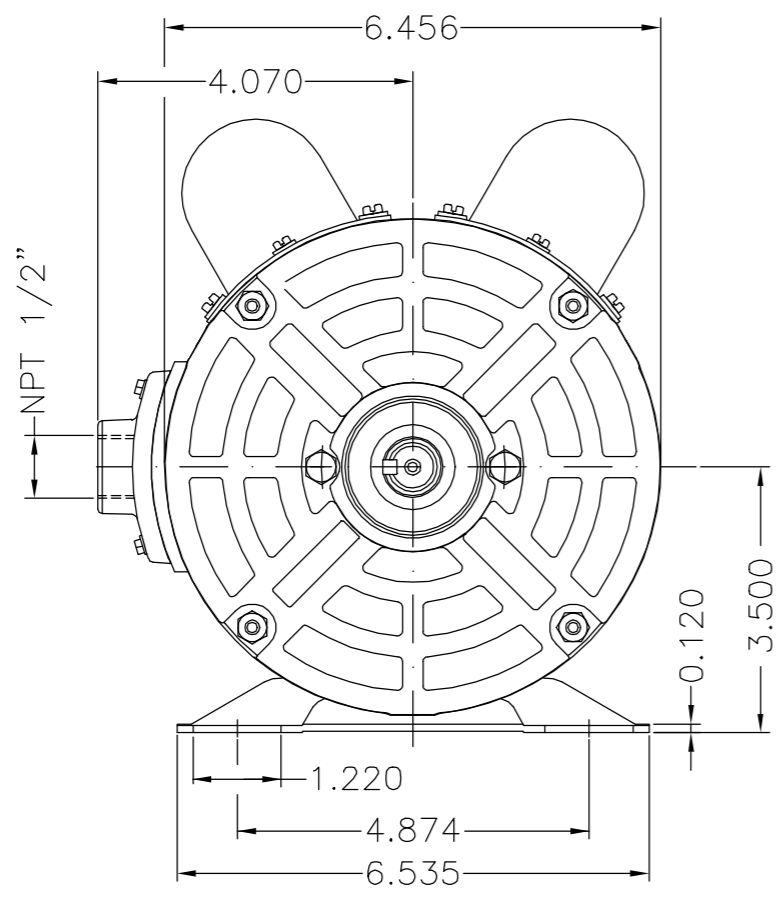


EIXO/SHAFT	
PADRÃO/STANDARD	X
OPCIONAL/OPTIONAL	
ESPECIAL/SPECIAL	

THIS IS AN UPDATED REVISION, THE PREVIOUS ONE MUST BE DISREGARDED.

A
B
C
D
E



DE Shaft End

Protetor térmico automático - Fenólico / Automatic overload protector - Phenolic
 Anel de fixação do rolamento / Bearing cap
 Vedação - V-ring / Sealing - V ring
 Plano de pintura 207N / Painting plan 207N
 Forma construtiva B3D / Mounting B3R(D)

WEG ELECTRIC CORP.

500001132041	Adicionado cota saída de cabos	RUBENSFM	PATRICKL	20.01.2016	07			
500001045356	ATUALIZADO ESTÉTICA	PATRICKL	RUBENSFM	05.06.2015	06			
ECM	LOC	SUMMARY OF MODIFICATIONS		EXECUTED	CHECKED	RELEASED	DATE	VER
EXECUTED	PATRICKL	SINGLE PHASE MOTOR TEAO ROLLED STEEL FRAME 56 IP55	10003347978					
CHECKED			000	07				
RELEASED	JTOGNERI		SHEET	1 / 1				
REL DT	10.02.2015	WMO	JARAGUA DO SUL	ENGENHARIA DE PRODUTO				

	LC	L	
1.5 HP	7.874	11.988	C
1 HP	7.480	11.594	B
0.75 HP	7.087	11.201	A

1.5 HP	02 Poles	60Hz	413733247
1 HP	02 Poles	60Hz	413730548
0.75 HP	02 Poles	60Hz	413730547

UNCONTROLLED COPY
RELEASED
ZME A3