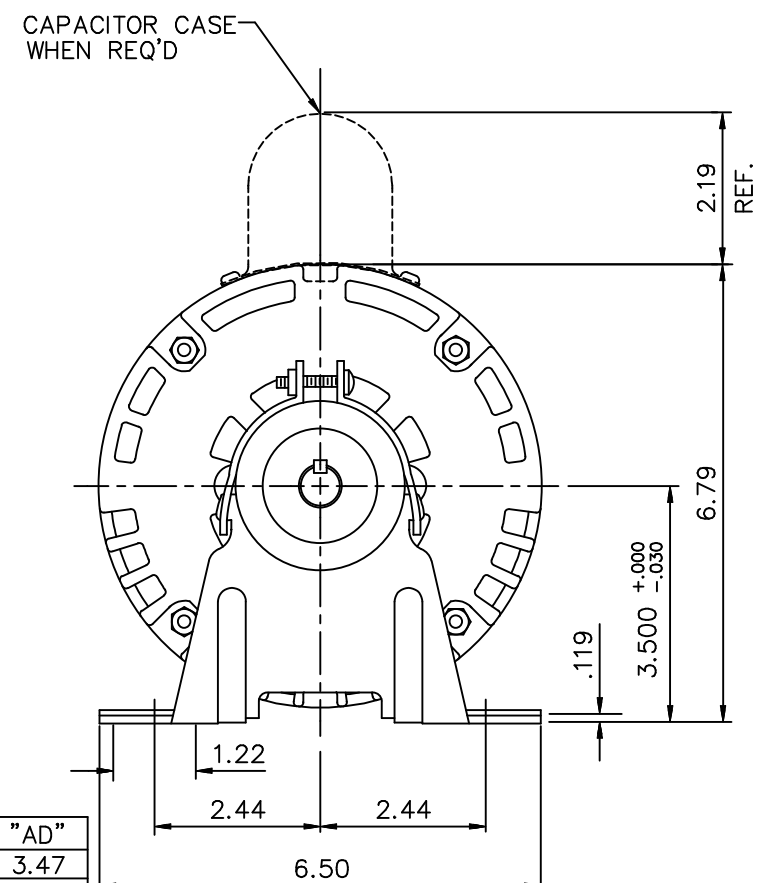
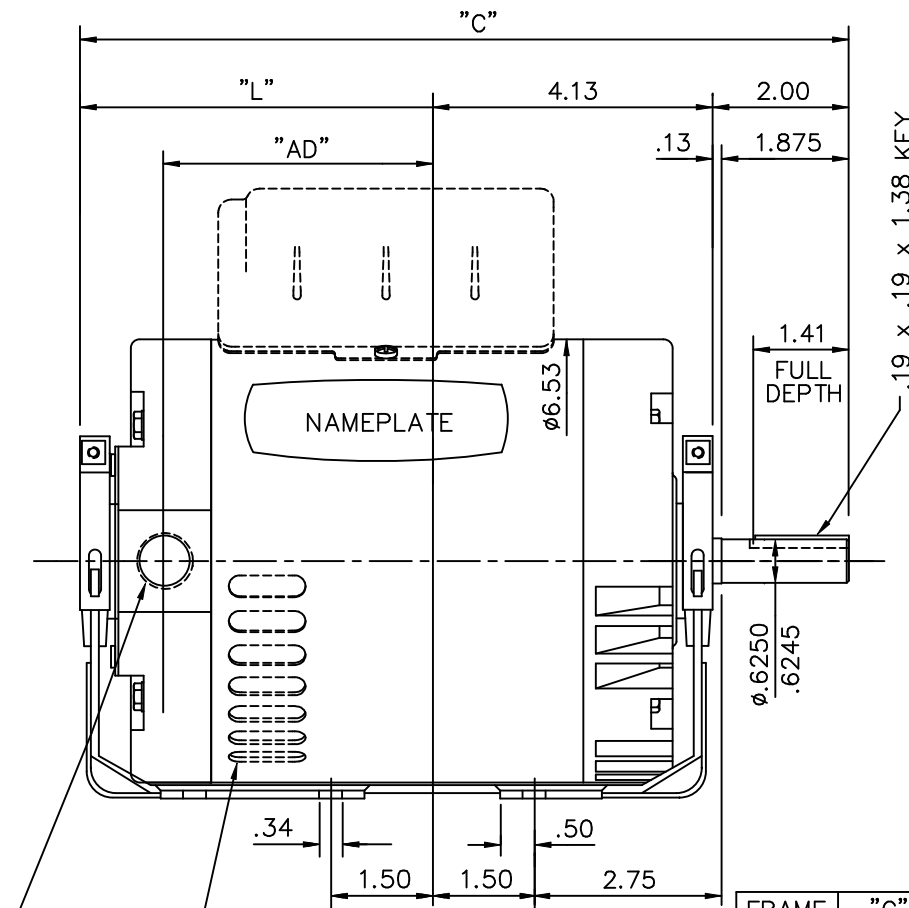


032510



FRAME	"C"	"L"	"AD"
C56	10.81	4.69	3.47
D56	11.31	5.19	3.97
E56	11.81	5.69	4.47
F56	12.31	6.19	4.97
G56	12.81	6.69	5.47
H56	13.31	7.19	5.97
J56	13.81	7.69	6.47

NO.	REVISION	BY	DATE
07	REDRAWN ON CAD	DBT	04/14/97

TOLERANCES UNLESS OTHERWISE SPECIFIED		<b>LEESON</b> ELECTRIC CORPORATION	
DECIMALS			
.00	± .01	DRAWN ADH 10/25/73	TITLE
.000	± .005	CH'K'D.	OUTLINE - 56 FRAME OPEN DRIP PROOF - RESIL. BASE
.0000	± .0005	APPR.	MAT'L.
FRACTIONS ± 1/64		SCALE 3=8	<b>BRF</b>
ANGLES ± 1/2°		REF.	
INCH/MM		FMF	
THIS DRAWING IN DESIGN AND DETAIL IS OUR PROPERTY AND MUST NOT BE USED EXCEPT IN CONNECTION WITH OUR WORK ALL RIGHTS OF DESIGN AND INVENTION ARE RESERVED			FINISH
			SIZE A
			DRAWING NO. 032510