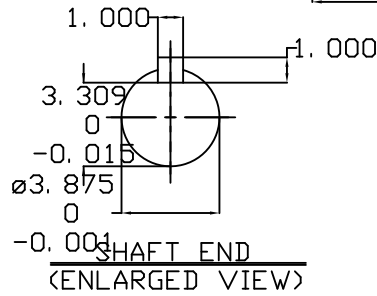
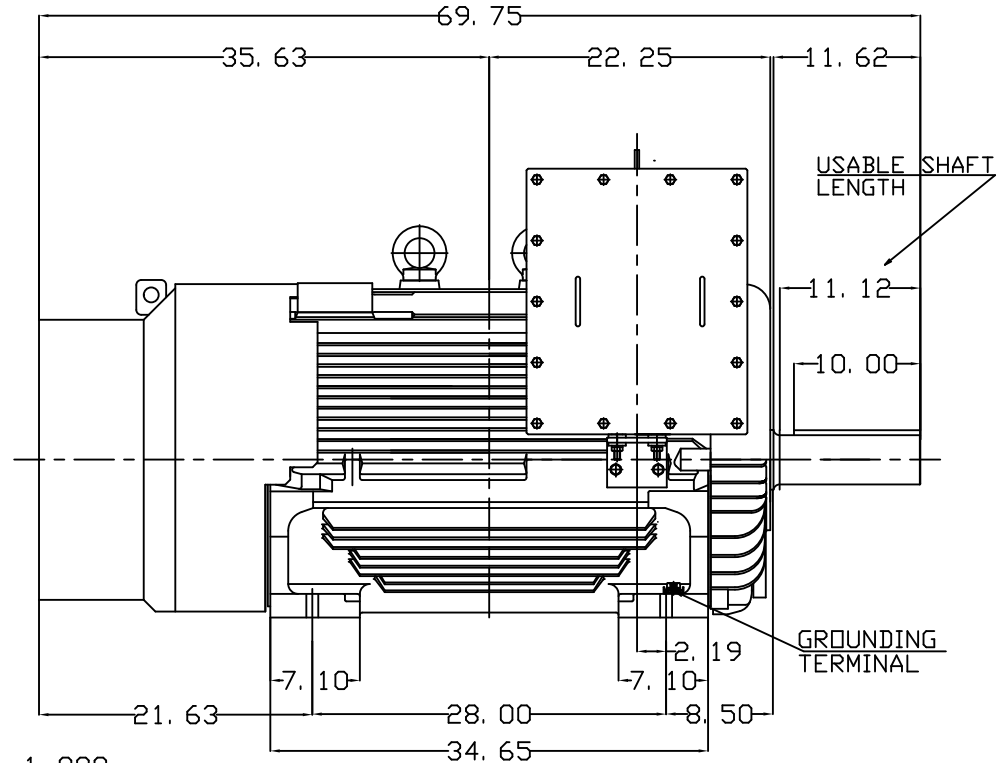
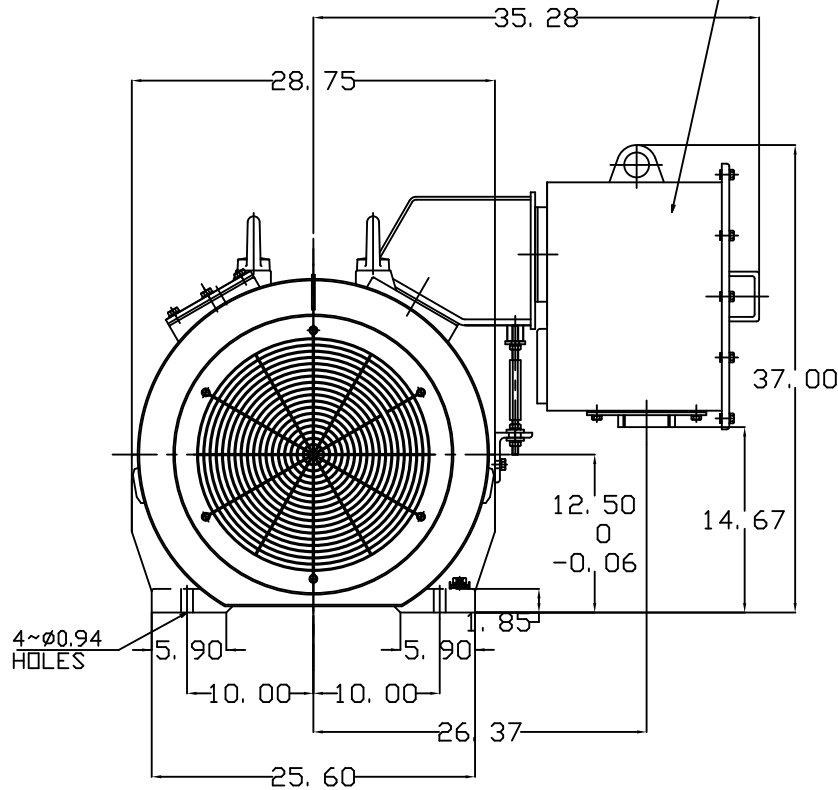


TYPE	OUTPUT		POLE	TIME RATING	VOLTAGE V	Hz	SYN.SPEED R.P.M
	HP.	KW.					
AEHE	250	186	8	CONT.	460	60	900

TOTALLY ENCLOSED FAN-COOLED TYPE, SQUIRREL-CAGE ROTOR

PRIMARY T-BOX  
(NPT4")



NOTE:

1. DIMENSIONS IN inch
2. FRAME NO. 5009B
3. F CLASS INSULATION, S.F.1.15
4. FOR DIRECT FLEXIBLE COUPLING
5. ENCLOSURE: IP55
6. BEARING SIZE: DRIVE-END 6324  
OPP. DRIVE-END 6320
7. MOTOR APPROX. WEIGHT: 4000 lb

DATE			OUTLINE DIMENSIONS	
CATALOG # E2508			3-PHASE INDUCTION MOTOR	
DWN.	Y.DU	MAR-19-2014	DWG NO.	REV:00
CHKD.	W.CHENG	MAR-28-2014	4A040Y991	
APPD.	C.SHIH	MAR-28-2014	TECO Westinghouse	