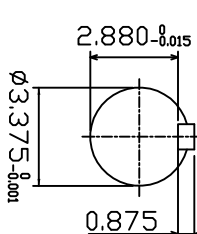
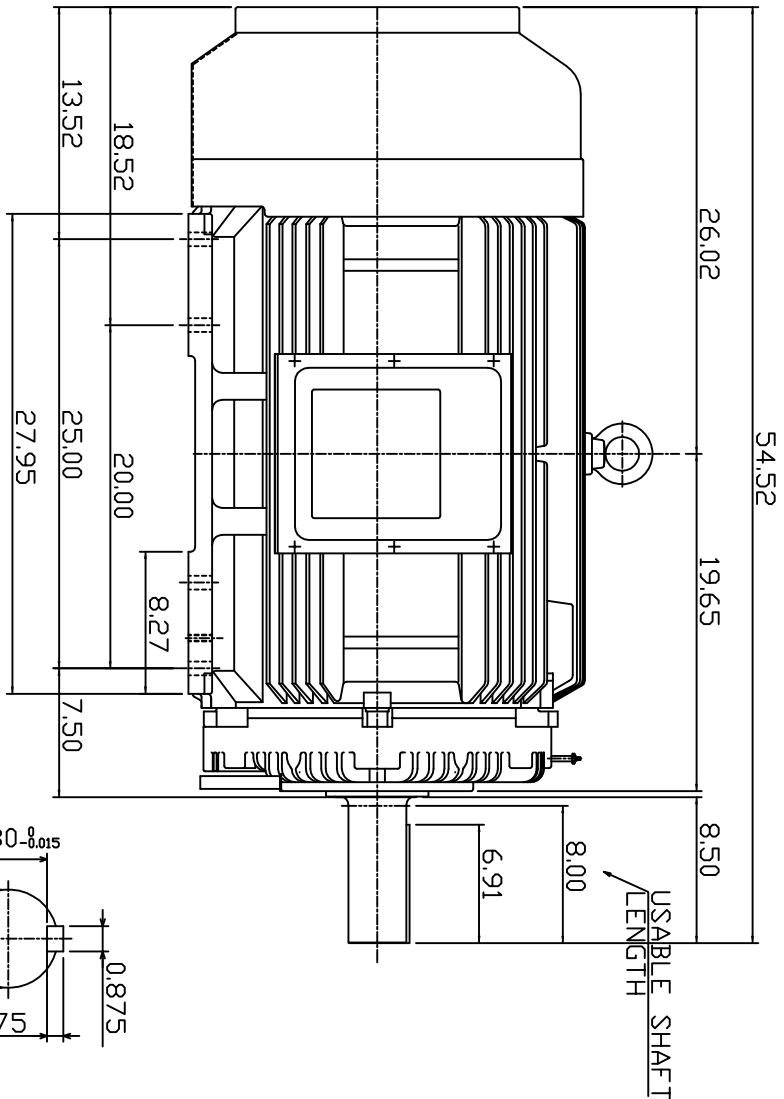
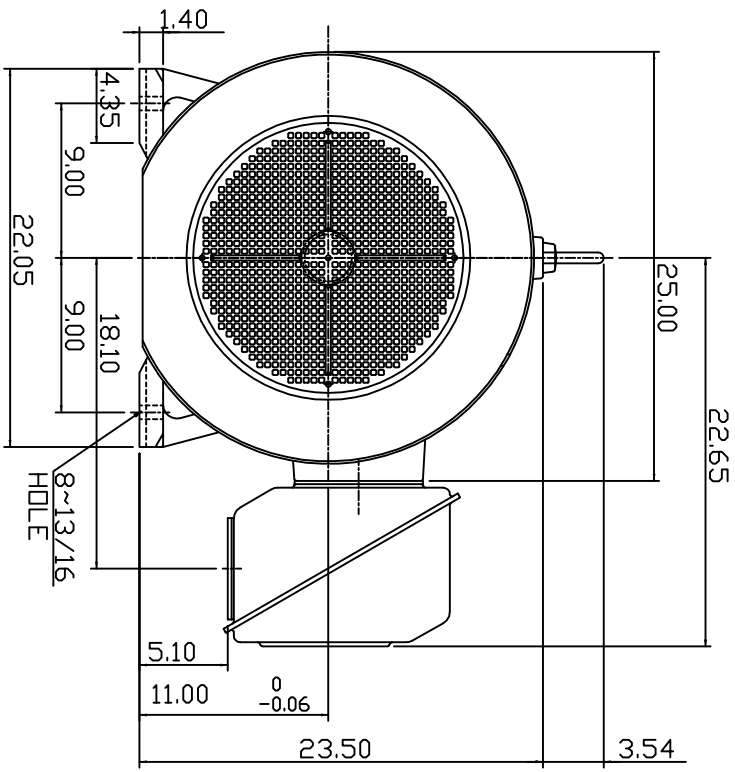


| TYPE | OUTPUT | | POLE | TIME RATING | VOLTAGE V | Hz | SYN SPEED RPM |
|-------|--------|-------|------|-------------|-----------|----|---------------|
| | HP. | KW. | | | | | |
| AEH8P | 200 | 149.2 | 6 | CDNT. | 460 | 60 | 1200 |

TOTALLY ENCLOSED FAN-COOLED TYPE, SQUIRREL-CAGE ROTOR



NOTE:

1. DIMENSIONS IN INCHES
2. FRAME SIZE 449T
3. F CLASS INSULATION, S.F. 1.15
4. FOR DIRECT FLEXIBLE COUPLING
5. BEARING NO.: DRIVE END: 6320C3
OPP. DRIVE END: 6316C3
6. ENCLOSURE: IP44
7. APPRDX. WEIGHT: 2450 LBS

| DATE | DWN. | SLEE | JAN. 26 2011 |
|---------------|-------|-------|--------------|
| MARCH 2, 2011 | CHKD. | SLEE | JAN. 26 2011 |
| CATALOG #: | APPD. | H.LIU | JAN. 26 2011 |

DATE: MARCH 2, 2011
CATALOG #: NP2006

OUTLINE DIMENSIONS
3-PHASE INDUCTION MOTOR



DWG NO. 3A049DWB10464-28
REV: 00

