

Product Information Packet

November 9, 2016

Data shown is for the current revision model #. Ensure your nameplate model # matches.

Model Number:	5KS182STE305A
Catalog Number:	M7541
Instruction Manual:	GEI-M1031
Connection Diagram:	GEM2034E-FIG203
Outline Drawing:	358B6270AA

Accessory Connection Diagrams			
Bearing Thermocouple:	None	Heater:	None
RTD:	None	Thermistor:	None
Thermostat:	None	Winding Thermocouple:	None
Bearing RTD:	None		

Table of Contents	
Specification	01
Performance Characteristics	02
Outline Drawing	03
Connection Drawing(s)	04



Marks:

MODEL NUMBER:	5KS182STE305A	Estimated Weight:	93 Lbs
Outline Drawing:	358B6270AA	Time Rating:	CONT
Connection Diagram:	GEM2034E-FIG203	Enclosure:	TEFC
Instruction Book:	GEI-M1031	Encl Construction:	SD
Design Code:	18AD3000A	Ambient Max(°C):	40
Type:	KS	Alt Ambient Max(°C):	--
Frame:	182T	Insulation Class:	F
Phases:	3	NEMA Design:	B
Poles:	6	Nominal Efficiency:	87.5 %
Output Power:	1.5HP 1.1KW	Guaranteed Efficiency:	85.5
RPM:	1175	3/4 Load Efficiency:	88.2
Voltage:	230/460	KVA Code:	M
Hertz:	60	Max KVAR:	1.1
Amps - FL:	4.8/2.4	Power Factor:	66.5
Service Factor:	1.15	Bearing - DE:	6207ZZC3
Alt Service Factor:	--	Bearing - ODE:	6206ZZC3

Enclosure is Totally Enclosed Fan-Cooled

Stamped Nameplate Notes:

6 POLE, TEFC,
 IP54; IBM3; MASS 42 KG; MIN AMB -15C; MAX ALT 1000M
 USABLE AT 200V @ 1.5 HP, 5.3 AMPS @ 1.0 SF
 50HZ DATA @ 1.15 SF: 1.0/.75 HP,
 200/400V, 4.2/2.1 AMPS: 50HZ DATA @ 1.00 SF
 1.5/1.1 HP, 200/400V, 5.0/2.5 AMPS
 GREASE TYPE: SHELL ALVANIA R3 LITHIUM GREASE

Additional Information:

6 POLE, TEFC,
 DUAL DIMENSION OUTLINE, IP54
 NO. OF MOTOR LEADS: 9
 CONDUIT BOX VOLUME (CU IN): 47.1
 CONDUIT BOX MATERIAL: CAST IRON
 SUITABLE FOR USE IN CLASS I DIVISION 2 LOCATIONS
 CLASS I DIVISION 2 GROUPS A,B,C,D T3C
 CLASS I ZONE 2 IIC T3C

Performance Characteristics

1st Winding 1st Connection

Design: 18AD3000A

Marks:

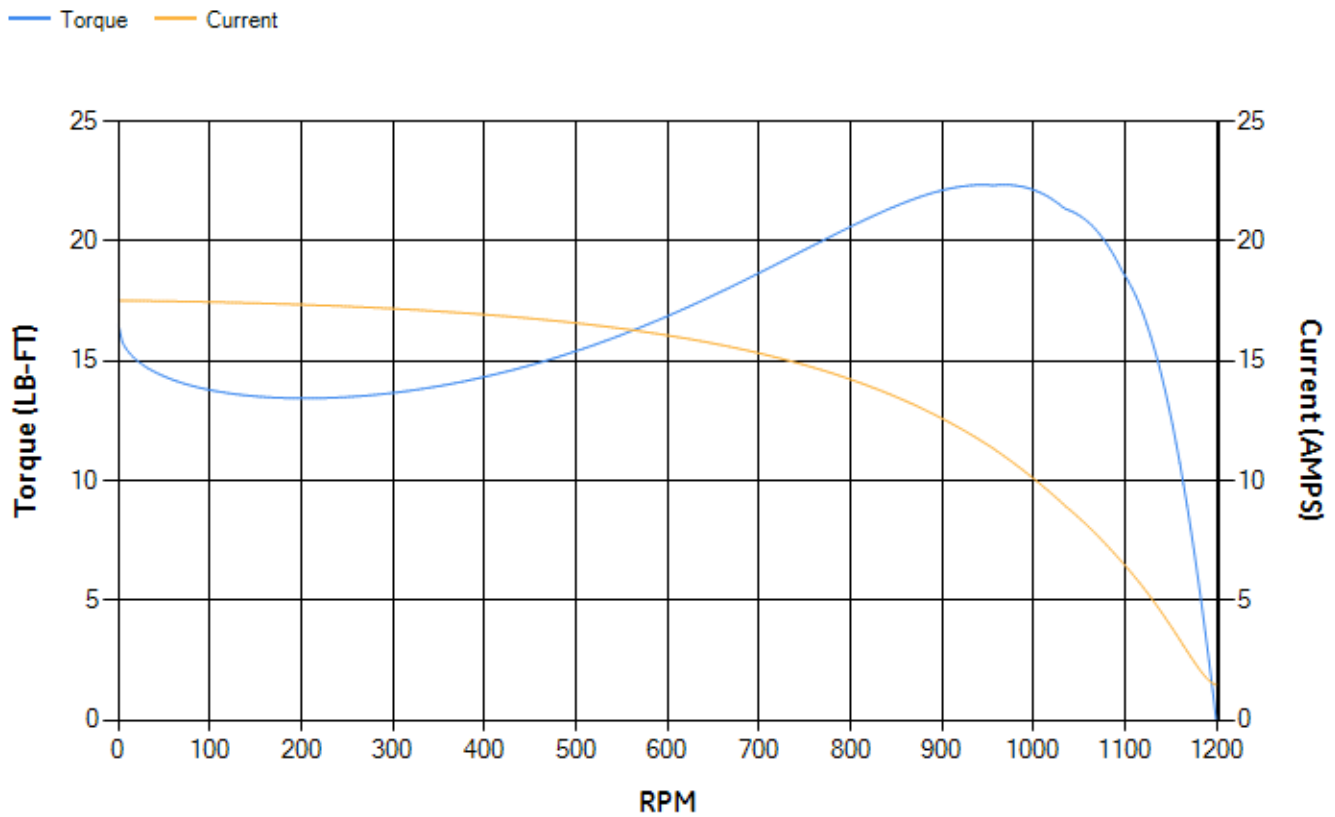
LOAD %	125.0	115.0	100.0	75.0	50.0	25.0	0.0
% EFF	88.04	88.3	88.71	88.19	86.17	78.59	0.00
% PF	72.68	70.82	67.31	58.95	46.34	28.46	5.88
AMPS	2.74	2.58	2.35	2.03	1.76	1.57	1.47

TORQ(FL)#FT	6.71	TORQ(LR)%FL	245.78	TORQ(BD)%FL	324.04
AMPS(LR)	17.52	PF AT START	0.4		

This motor is capable of two cold or one hot start with a maximum connected load inertia of 317 Lb-Ft Sq (13.35 Kg-meter Sq)at 100% voltage, where the load torque varies with the square of the speed. Acceleration time with maximum inertia and the above load type is 84 seconds. Safe stall time at 100% voltage is 199 seconds cold, 164 seconds hot. Rotor inertia is 0.41 Lb-Ft Sq (0.02 Kg-meter Sq).

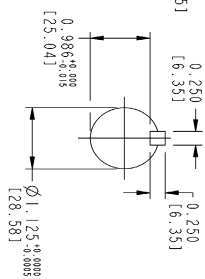
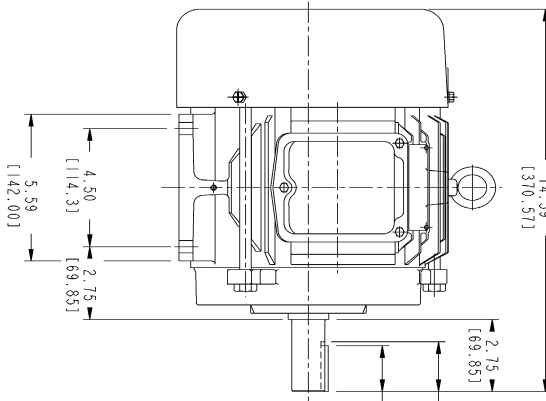
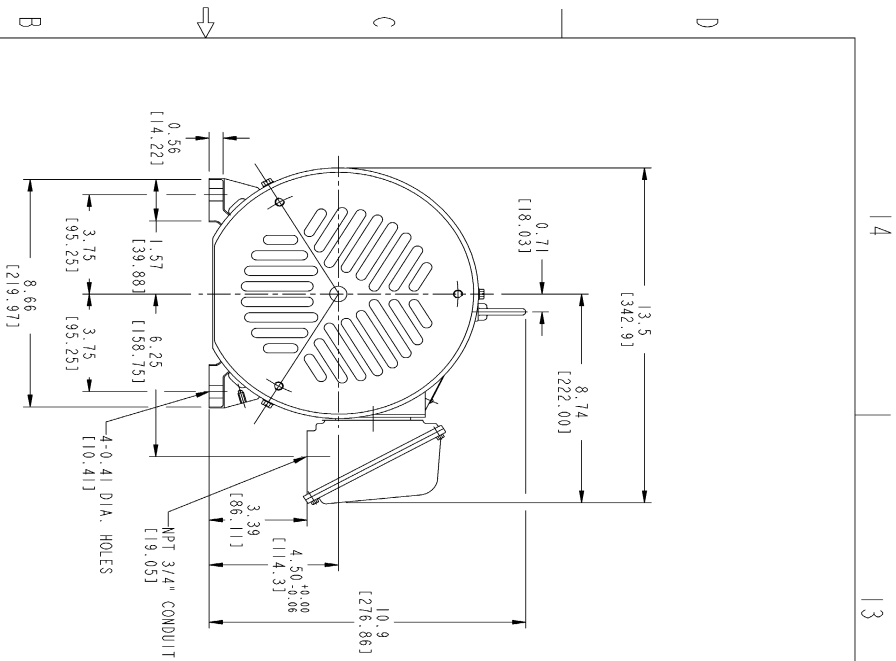
Open Circuit A-C:	0.161	Short Circuit D-C:	0.011
Short Circuit A-C:	0.011	X/R Ratio:	4.027
Stator Slots:	36	Rotor Slots:	46

Speed Torque Current Curve (First Connection, First Speed)



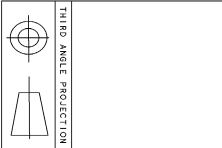
NAME:501291659 OBJECT:358B6270AA DATE:05-Dec-07 10:03:11

Marks:



- NOTES :
1. DIMENSIONS ARE IN INCHES
 2. F-1 ASM AS SHOWN
 3. F-2 ASM - HAS CONDUIT BOX ON OPPOSITE SIDE
 4. BRACKETED DIMENSIONS ARE METRIC (MILLIMETERS)
 5. IC411, IP94, IMB34 APPLY

GE PROPRIETARY AND CONFIDENTIAL INFORMATION	
This document is the property of General Electric Company. It is not to be distributed, copied, or otherwise used without the express written permission of General Electric Company. It is to be returned to General Electric Company upon completion of its use. It is to be destroyed when it is no longer needed. It is not to be used for any other purpose than that for which it was intended. It is not to be used for any other purpose than that for which it was intended. It is not to be used for any other purpose than that for which it was intended.	
REV.	DESCRIPTION
DATE	APPROVED
358B6270AA	0



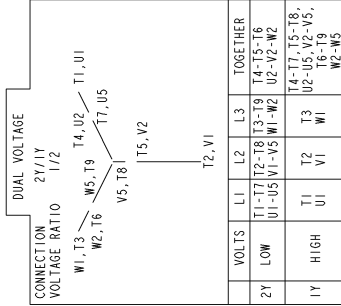
Part must conform to SI 900000
Sect. 4, Toxicity Procedure

FOR ADDITIONAL INFO REFER TO:	SIGNATURES	DATE
DESIGN SPECIFICATIONS		
DETAILS		
ORIGINATOR'S SPECIFICATIONS		
DIMENSIONS IN INCHES		
TOLERANCES ON:		
1. PL DECIMALS ±		
2. PL DECIMALS ±		
3. PL DECIMALS ±		
ANGLES ±		
FRACTIONS ±		
FINISH		

GE Consumer & Industrial	GENERAL ELECTRIC COMPANY
OUTLINE	
FTD - 182T TERC CE MARK	
471 CU IN CONDUIT BOX	
358B6270AA	0
SCALE: C	SHEET 1 OF 1

Marks:

Connection Diagram
GEM2034E-FIG203



NAME: 500903578 OBJECT: GEM2034E-FIG203 DATE: 03-Nov-06 13:53:10