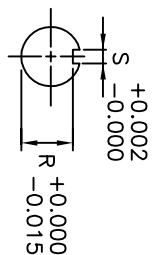
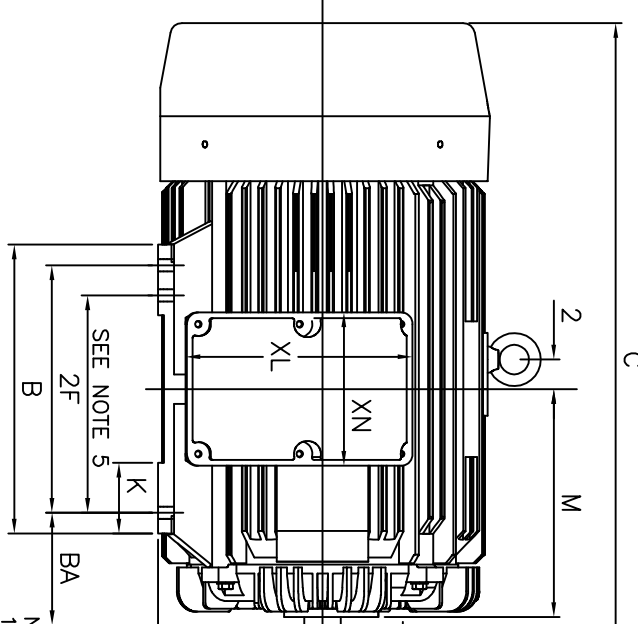


3/8"-16 UNC GND BOLT
SEE NOTE 7



UNITS: INCHES

| FRAME SIZE | MOTOR DIMENSIONS | | | | | | | | | | CONDUIT BOX | | | | | | | |
|-------------|------------------|------|------|-------|-----|-----|-----|------|------|------|-------------|------|------|------|-------|-----|------|------|
| | A | B | C | D | G | J | K | M | O | P | T | MIN | AB | AC | AE | AF | XL | XN |
| 444TS/445TS | 21.9 | 19.3 | 45.0 | 11.00 | 1.1 | 4.3 | 4.8 | 15.8 | 22.0 | 22.4 | 3.6 | 3.00 | 20.2 | 15.9 | 11.00 | 9.2 | 15.2 | 10.3 |

| FRAME SIZE | MOUNTING | | | | | SHAFT EXTENSION | | | | | KEY SEAT | | | BEARINGS | | MAXIMUM WEIGHT |
|-------------|----------|-------------|------|------|------|-----------------|-------|-------|-------|------|----------|--------|--------|----------|-----------|----------------|
| | E | 2F | H | BA | N-W | V | U | R | S | ES | LS | OS | LS | OS | 2000 lbs. | |
| 444TS/445TS | 9.00 | 14.50/16.50 | 0.81 | 7.50 | 4.75 | 4.50 | 2.375 | 2.021 | 0.625 | 3.00 | 6313C3 | 6313C3 | 6313C3 | 6313C3 | 2000 lbs. | |

- NOTES:
1. DIMENSION V REPRESENTS LENGTH OF STRAIGHT PART OF SHAFT
 2. MAIN CONDUIT BOX MAY BE ROTATED IN 90° INCREMENTS
 3. KEY DIMENSIONS EQUAL S x S x 3.00 (MOTOR SUPPLIED WITH KEY)
 4. MOTOR WEIGHT SHOWN IS MAXIMUM HORSEPOWER IN FRAME
 5. THIS DIMENSION EQUALS 2F FOR 444TS MOUNTING
 6. STANDARD PRODUCT USE BI-DIRECTIONAL FAN. OPPOSITE ROTATION AVAILABLE ONLY BY CONNECTION CHANGE
 7. FRAME GROUND BOLT STANDARD ON 841 PRODUCT

CUSTOMER: _____ MOTOR MODEL NO.: _____ TAG NO's.: _____

P.O. NO.: _____ HP: _____ VOLTAGE: _____ RPM(STN.): _____ Hz: _____

FRAME SIZE: _____ PRODUCT TYPE: EOP III 840 & 841

COMMENTS: _____

PER: _____ DATE: _____

TOSHIBA RESERVES THE RIGHT TO MAKE CHANGES OF TECHNICAL IMPROVEMENT AND THE DATA MAY CHANGE WITHOUT NOTICE PRELIMINARY

DO NOT USE FOR CONSTRUCTION, INSTALLATION, OR APPLICATION PURPOSES UNLESS THE DRAWING IS MARKED AS CERTIFIED CERTIFIED

TOSHIBA

TOSHIBA INTERNATIONAL CORPORATION

TOTALLY-ENCLOSED FAN-COOLED
HORIZONTAL FOOT-MOUNTED
3 PHASE INDUCTION MOTOR
F1 ASSEMBLY

XT SERIES

VISIT OUR WEBSITE AT:
www.toshiba.com/ind