

Product Information Packet

November 9, 2016

Data shown is for the current revision model #. Ensure your nameplate model # matches.

Model Number:	5KS284SAA100D4
Catalog Number:	M9903
Instruction Manual:	GEI-56128
Connection Diagram:	GEM2034E-FIG7
Outline Drawing:	4002B5828PBP5433

Accessory Connection Diagrams			
Bearing Thermocouple:	None	Heater:	None
RTD:	None	Thermistor:	None
Thermostat:	None	Winding Thermocouple:	None
Bearing RTD:	None		

Table of Contents

Specification	01
Performance Characteristics	02
Outline Drawing	03
Connection Drawing(s)	04
Spare parts	05



Marks:

MODEL NUMBER:	5KS284SAA100D4	Estimated Weight:	460 Lbs
Outline Drawing:	4002B5828PBP5433	Time Rating:	CONT
Connection Diagram:	GEM2034E-FIG7	Enclosure:	TEFC
Instruction Book:	GEI-56128	Encl Construction:	X\$D
Design Code:	28BD0159A	Ambient Max(°C):	40
Type:	KS	Alt Ambient Max(°C):	60
Frame:	284TSC	Insulation Class:	H
Phases:	3	NEMA Design:	B
Poles:	2	Nominal Efficiency:	91.7 %
Output Power:	25HP 18.5KW	Guaranteed Efficiency:	91.0
RPM:	3550	3/4 Load Efficiency:	92.5
Voltage:	460	KVA Code:	G
Hertz:	60	Max KVAR:	4.7
Amps - FL:	28.0	Power Factor:	91.0
Service Factor:	1.15	Bearing - DE:	6310ZC3
Alt Service Factor:	1.00	Bearing - ODE:	6310ZC3

Enclosure is Totally Enclosed Fan-Cooled

Stamped Nameplate Notes:

STAMP NP249A5564P051 AS BELOW:
 MODEL:5KS284SAA100D4 S/N: XXX
 CSA CERTIFIED CSA09.2216219 FOR EX NA IIC 200C GC
 CL 1 ZONE2 AEX NA IIC 200C;CL 1 DIV2 GRP ABCD 200C
 IN -25C <= AMB <= 40C, 1.0 SF ON SINE-WAVE PWR
 SURF TEMP 260C AT 1.15SF ON SINE-WAVE PWR
 OR 200 C VT OR 215 C CT OR 215 C CHP PWM CONTROL
 ALTERNATE RATING FOR PWM CONTROL 1.0SF 40C AMB
 VT 0-60 HZ, CT 12-60 HZ , CHP 60-90 HZ.

Additional Information:

2P - TS EXTN
 STANDARD FLOOR MOUNT
 C/BOX 137 CU IN-1.50 NPT
 F1 CONDUIT BOX MOUNTING
 "C" FACE AT DE ENDSHIELD
 INPRO SEAL DE ONLY
 OIL RESISTANT SLEEVING ON LEADS

Performance Characteristics

1st Winding 1st Connection

Design: 28BD0159A

Marks:

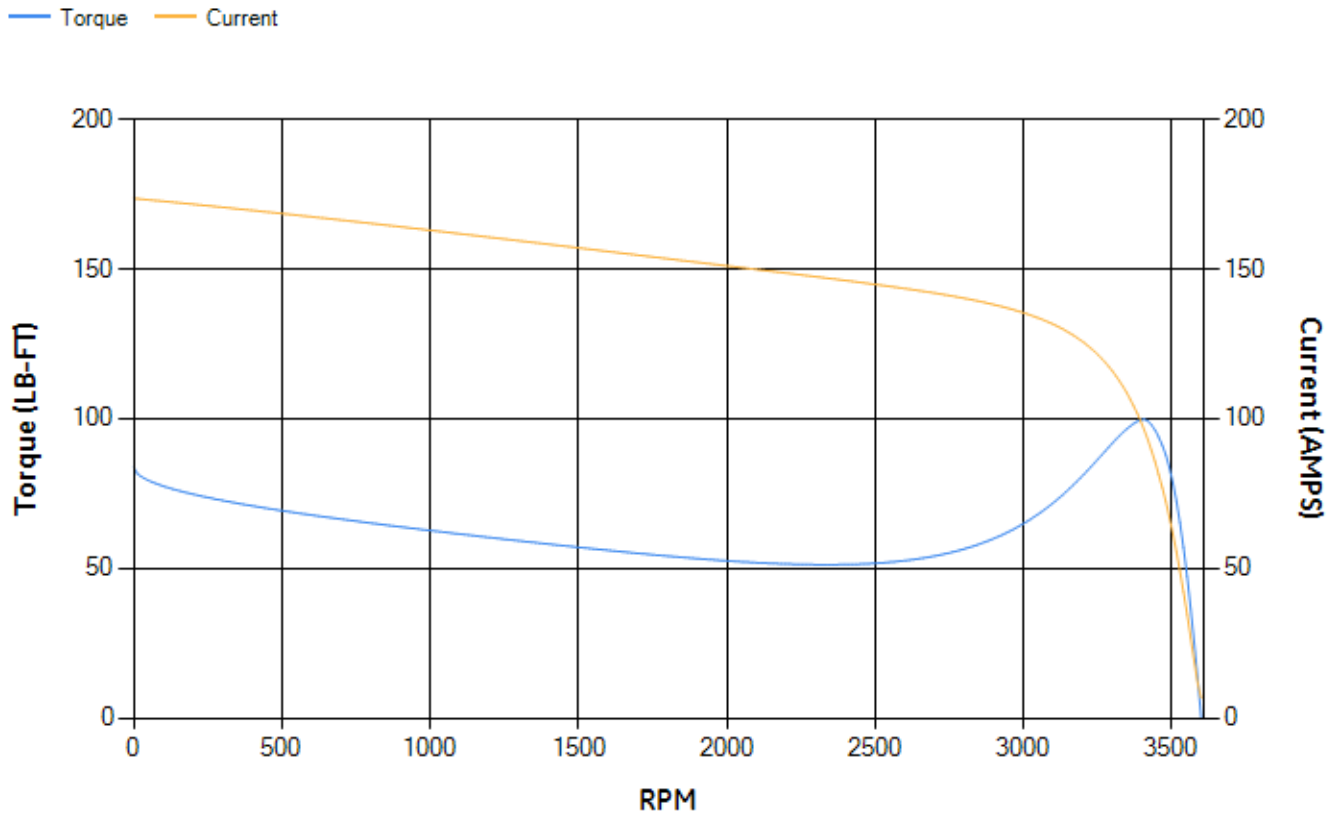
LOAD %	125.0	115.0	100.0	75.0	50.0	25.0	0.0
% EFF	90.58	91.12	92	92.55	92.44	89.45	0.00
% PF	90.9	91.04	90.96	89.6	84.9	68.38	8.73
AMPS	35.52	32.44	27.96	21.16	14.91	9.56	6.61

TORQ(FL)#FT	36.99	TORQ(LR)%FL	226.67	TORQ(BD)%FL	268.66
AMPS(LR)	173.6	PF AT START	0.39		

This motor is capable of two cold or one hot start with a maximum connected load inertia of 79 Lb-Ft Sq (3.33 Kg-meter Sq)at 100% voltage, where the load torque varies with the square of the speed. Acceleration time with maximum inertia and the above load type is 18 seconds. Safe stall time at 100% voltage is 40 seconds cold, 22 seconds hot. Rotor inertia is 2.13 Lb-Ft Sq (0.09 Kg-meter Sq).

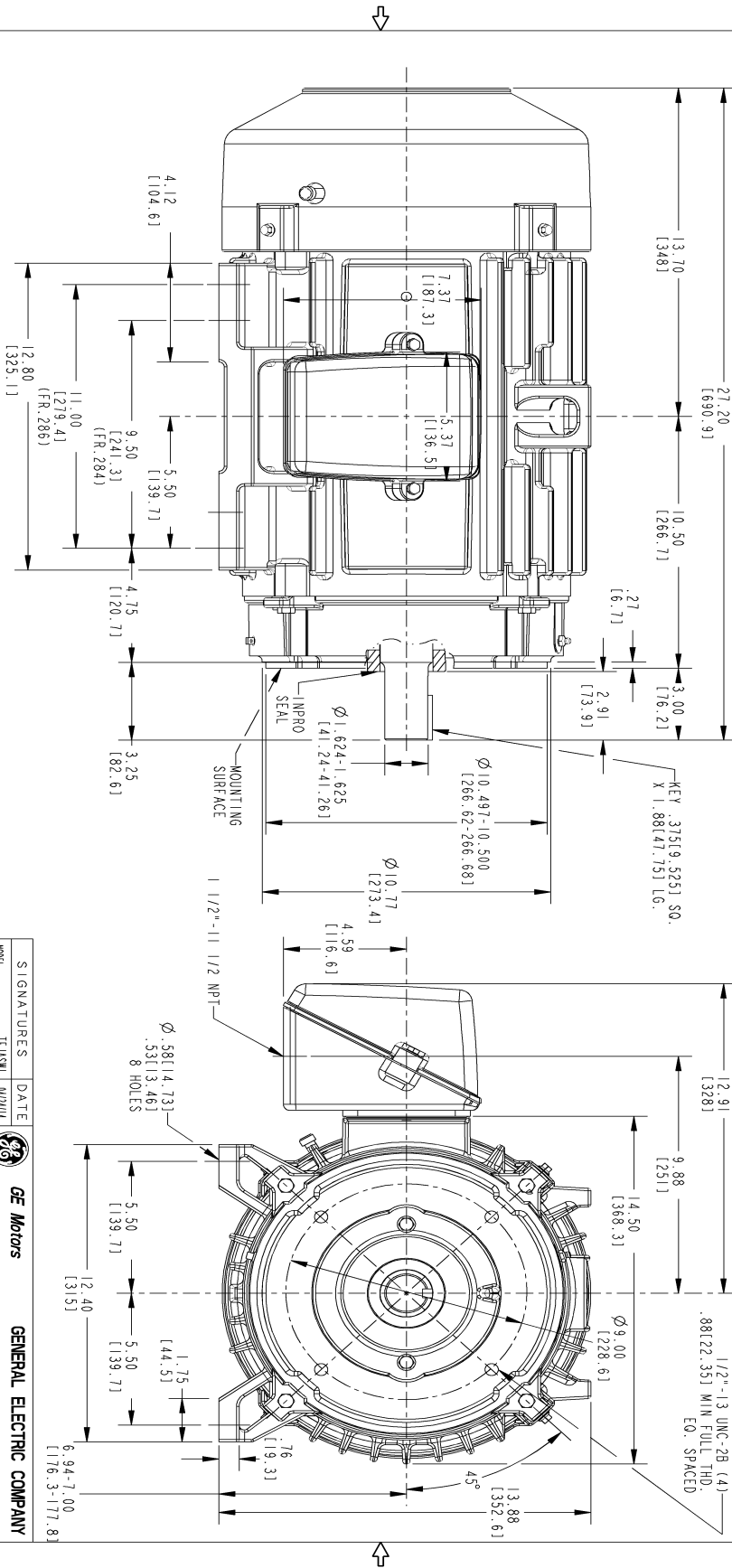
Open Circuit A-C:	0.798	Short Circuit D-C:	0.013
Short Circuit A-C:	0.027	X/R Ratio:	4.793
Stator Slots:	48	Rotor Slots:	38

Speed Torque Current Curve (First Connection, First Speed)



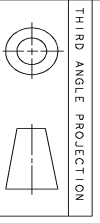
Marks:

NOTE 1: CONDUIT BOX MAY BE ASSEMBLED WITH ENTRANCE UP, DOWN OR TO EITHER SIDE.
 NOTE 2: F1 ASSEMBLY AS SHOWN. F2 ASSEMBLY CONDUIT BOX ON OPPOSITE SIDE FROM SHOWN LOCATION.
 NOTE 3: MOUNTING SURFACES WILL BE SQUARE AND CONCENTRIC WITH SHAFT WITHIN .004 T.I.R.
 NOTE 4: SHAFT RUNOUT WILL NOT EXCEED .002 T.I.R.
 NOTE 5: ALL DIMENSIONS ARE IN INCHES. BRACKETED DIMENSIONS ARE IN METRIC (MILLIMETER)



SIZE	DRAWING NO.	REV	SHEET
B	4002B5828PBP5433	0	1

REV.	DESCRIPTION	DATE	APPROVED



THIRD ANGLE PROJECTION

SIGNATURES		DATE	
MODEL	TEJASNI	QUZ/14	
DETAIL	TEJASNI	QUZ/14	
CHECKED	HARIHARAN	QUZ/14	
ENG'G	HARIHARAN	QUZ/14	
W/C			
QUALITY	TEJASNI	QUZ/14	
ISSUED			
SOLID MODEL: 4002B5828PBP5433			

GE Motors GENERAL ELECTRIC COMPANY

TITLE: **INDUCTION MOTOR OUTLINE**

C- FACE AT DRIVE END (050° RABBET), INPRO SEAL

FW-FR284/286TSC TFC XSD ULTRA

4002B5828PBP5433

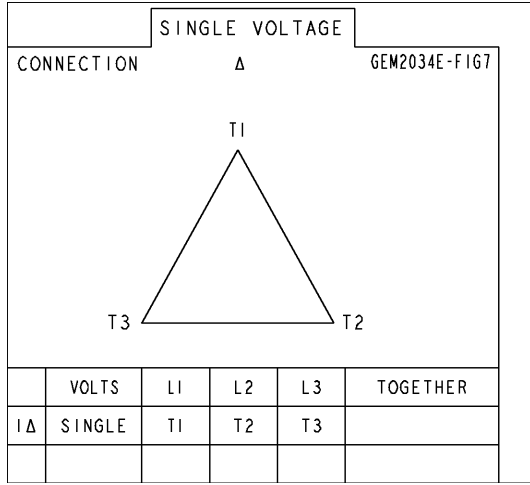
SCALE: 0.250 REF. No.: 4002B5828PBP5221

SIZE	DRAWING	REV
B	4002B5828PBP5433	0

SHEET 1 OF 1

Marks:

Connection Diagram
GEM2034E-FIG7



End shield Assembly		
Part Description	DE Side Part#	ODE Side Part#
End Shield	128D6206PM1	4004D5284SE1
Bearing	235A2608AA01	235A2608AA01
Slinger/Inproseal	235A4575GC20	149C4399G03

Fan & Fan Cover Assembly	
Part Description	Part#
Fan	159C6704G02
Fan Cover	4003C5789PA1

Conduit & Accessories Box Assembly	
Part Description	Part#
Conduit Box	4002B5728PA-G01

Mechanical Accessories	
Part Description	Part#
Brake	
Tachometer	

