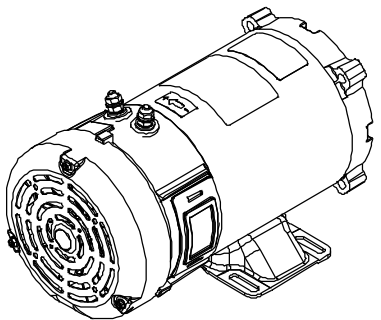
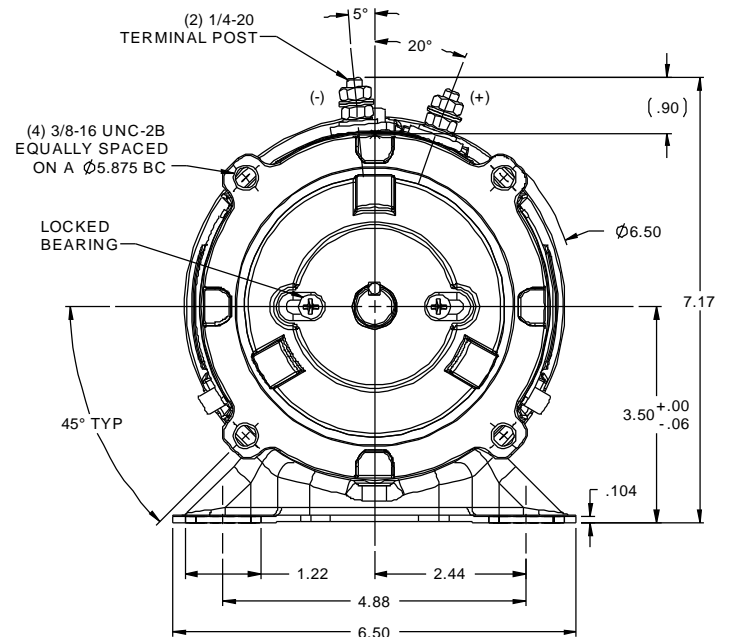
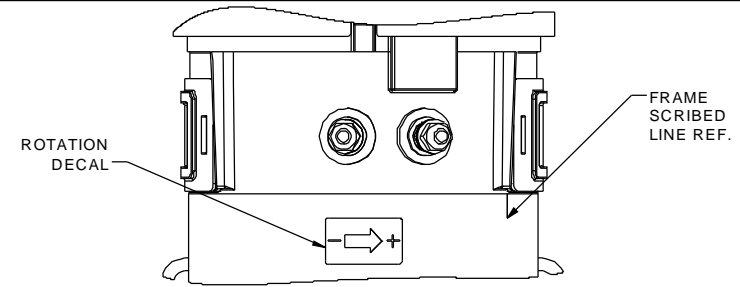
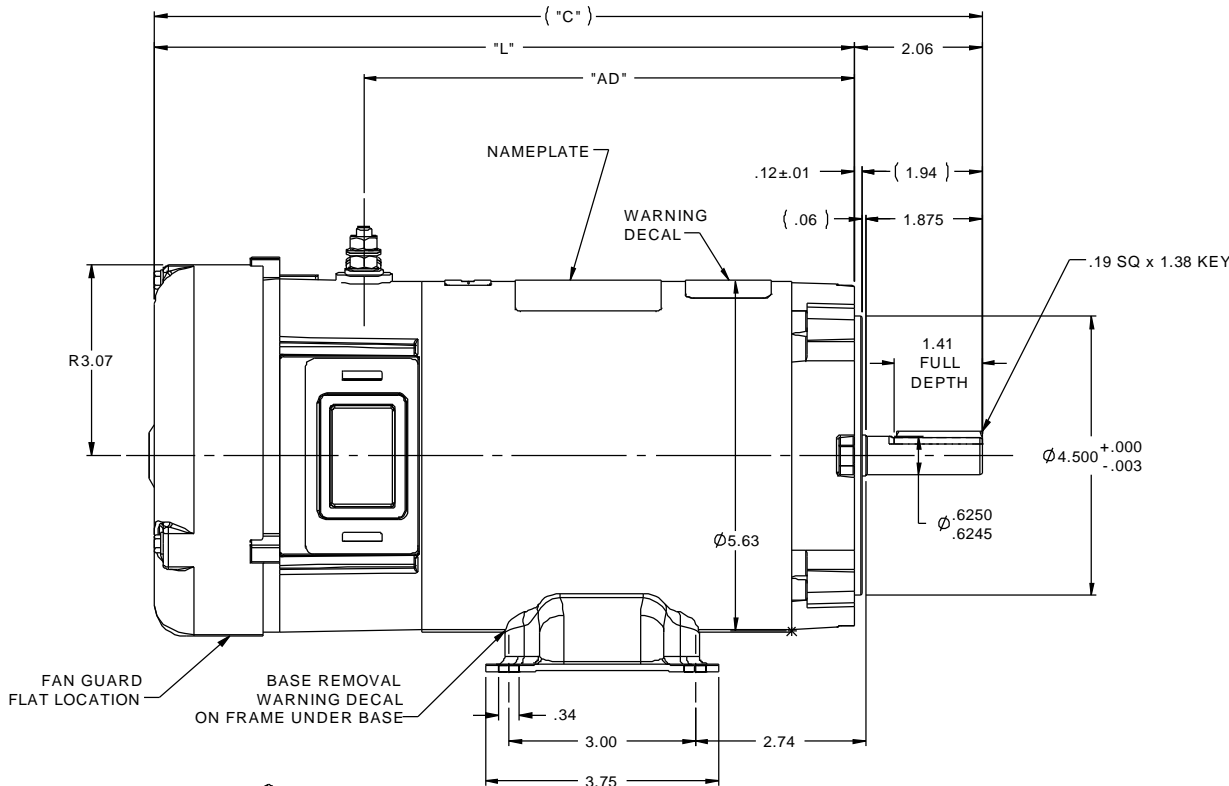


RBC PROPRIETARY AND CONFIDENTIAL INFORMATION
 This document is the property of REGAL BELOIT CORPORATION ("RBC") including its subsidiaries and divisions and contains proprietary information of RBC. This document is loaned on the express condition that neither the information contained therein shall be disclosed to others without the express written consent of RBC, and that the information shall be used by the recipient only as approved expressly by RBC. This document shall be returned to RBC upon its request. This document may be subject to certain restrictions under U.S. export control laws and regulations.



- NOTES:
 1) MAXIMUM FACE RUNOUT .004 T.I.R.
 2) MAXIMUM PILOT ECCENTRICITY .004 T.I.R.
 3) PERMISSIBLE SHAFT RUNOUT .002 T.I.R.
 4) GASKETS THROUGHOUT.

| | | | | | | |
|-------------|-------|-------|------|-------|------|------|
| 108053.00 | 13.82 | 11.76 | 8.40 | 24 | 1 | 1800 |
| 108048.00 | 13.32 | 11.26 | 7.90 | 12 | 3/4 | 1800 |
| CATALOG No. | "C" | "L" | "AD" | VOLTS | H.P. | RPM |

| | | | | | | |
|----|---|-----------------------------|--------------------------|--|---------------|------------------|
| | | TOLERANCES UNLESS SPECIFIED | | LEESON ELECTRIC MOTORS GEARMOTORS AND DRIVES | | DRAWN IPG 4/9/08 |
| | | DEC INCHES | | | | CHK BC 4/9/08 |
| 02 | ADDED EXTRA VIEW PER MFG REQUEST | JJM 9/18/2013 | x | ±.1 | | APPR |
| 01 | ADDED NOTE ABOUT FAN GUARD FLAT LOCATION, ISAAC | IPG 12/4/2009 | xx | ±.03 | TITLE OUTLINE | SCALE 1:2 |
| | 09-4813 | | xxx | ±.005 | 48 FRAME DC | REF 031186 |
| | RELEASED | IPG 4/9/2008 | BC | xxxx | MAT'L | FMF 108048.75 |
| NO | REVISION | BY & DATE | CHK | ANG ±1/2° | FINISH | PAGE OF |
| | | THIRD ANGLE PROJECTION | RFP | | PREV | SIZE B |
| | | | NETWORK FILE NAME 031886 | | DRAWING NO | REV |
| | | | | | 031886 | 02 |