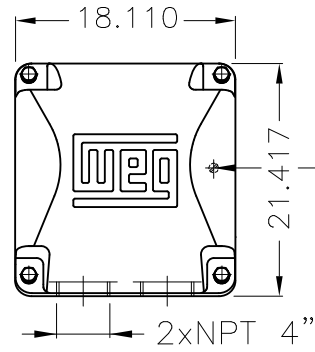
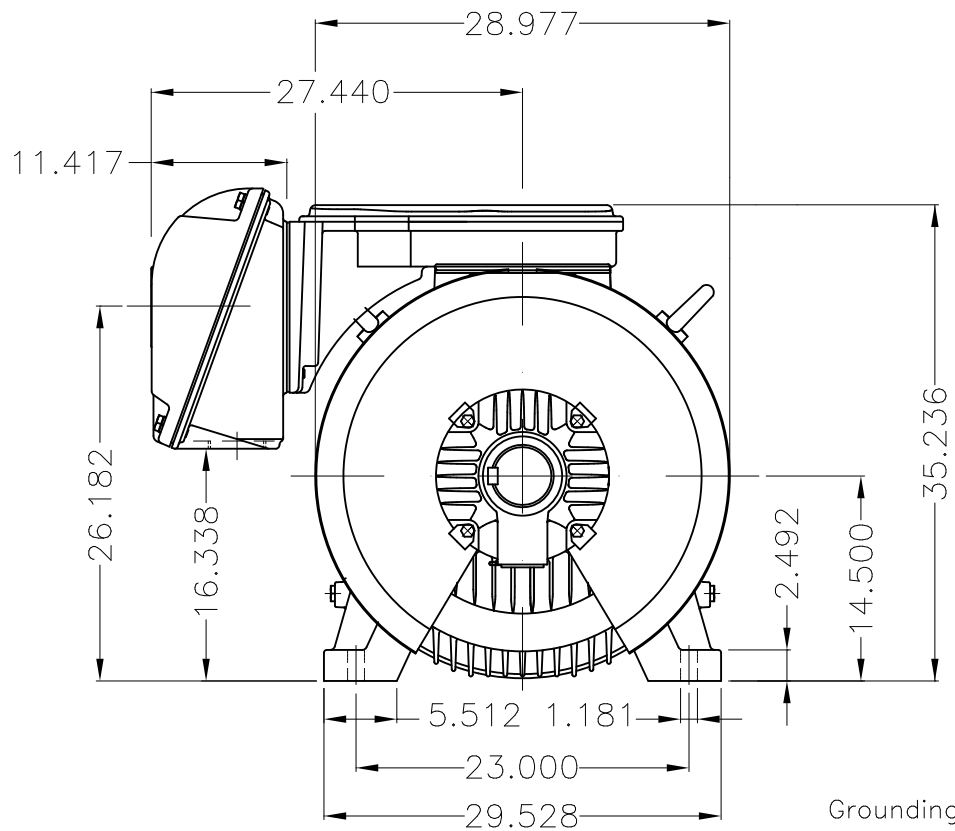
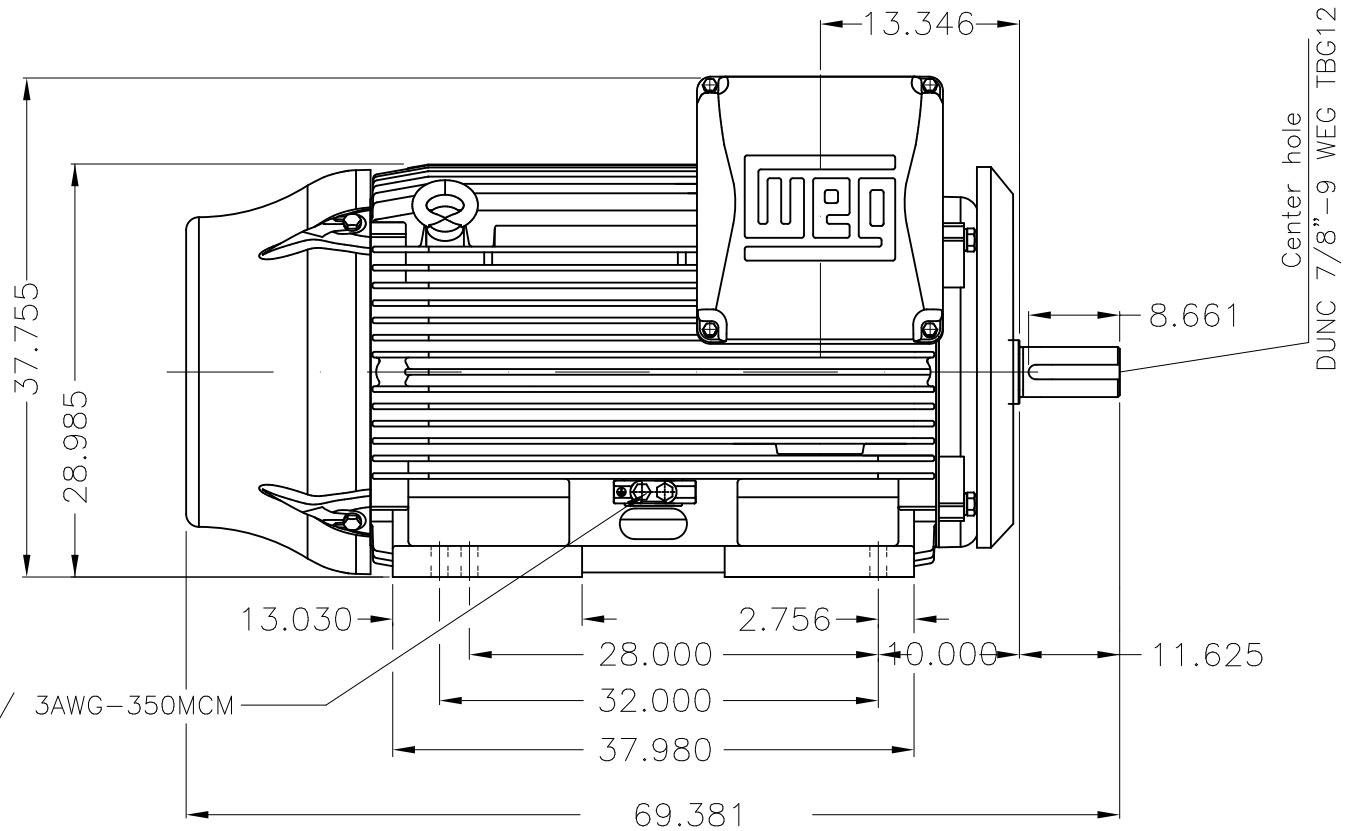


Dimensões em polegada  
Dimensions in inches

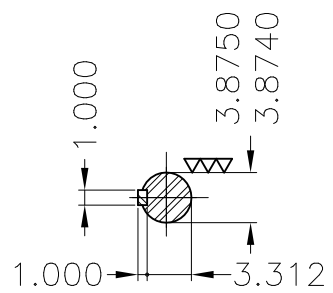
THIS IS AN UPDATED REVISION, THE  
PREVIOUS ONE MUST BE DISREGARDED.



Main terminal box

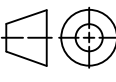


Grounding for leads 25-185 mm<sup>2</sup> / 3AWG-350MCM



DE Shaft End

NDE endshield with electrically insulated bearing hub  
Drive-End Air Deflector  
Color RAL 5009  
Painting plan 203A  
Mounting B3R(D)

ECM	LOC	SUMMARY OF MODIFICATIONS	EXECUTED	CHECKED	RELEASED	DATE	VER
EXECUTED	USERADMIN	 THREE PHASE W22 MOTOR - NEMA PREMIUM EFF FRAME 588/9T IP55 TEFC WEG code: 12011329					
CHECKED							
RELEASED							
REL DT	24.07.2017	WMO Jaragua do Sul	Product Engineering	SHEET	1 / 1		

600 HP 06 Poles 60Hz

A



ZME A3