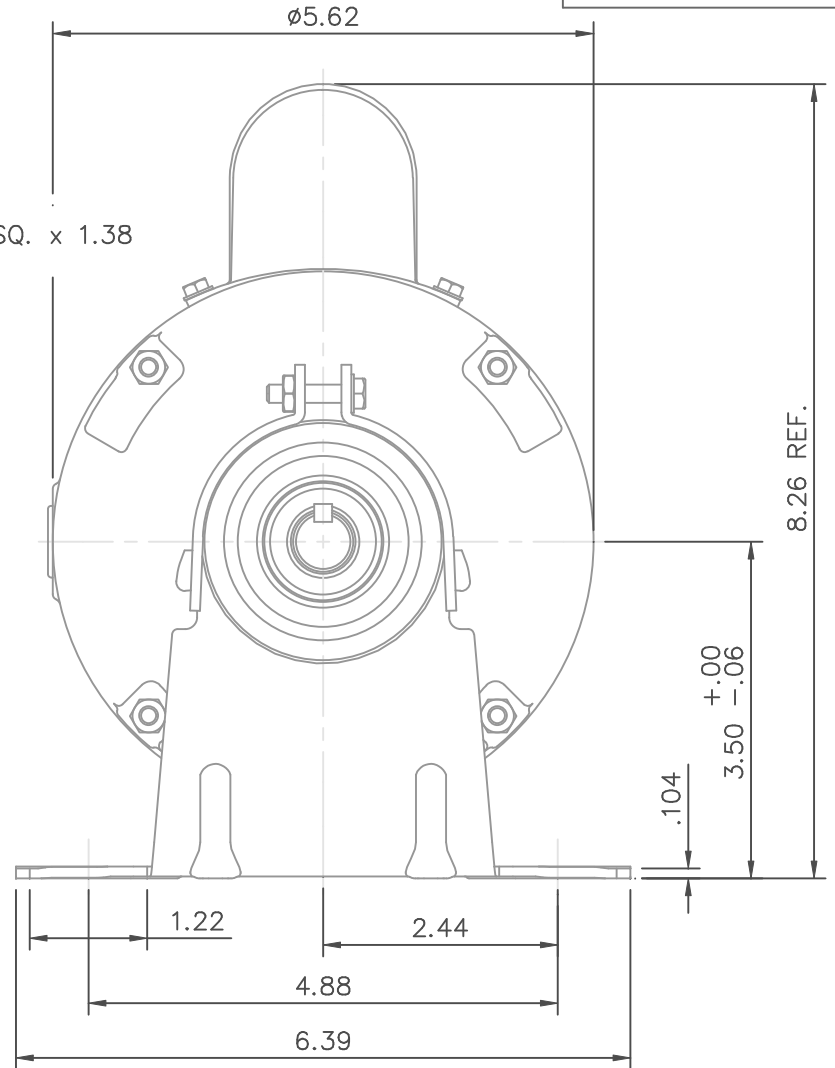
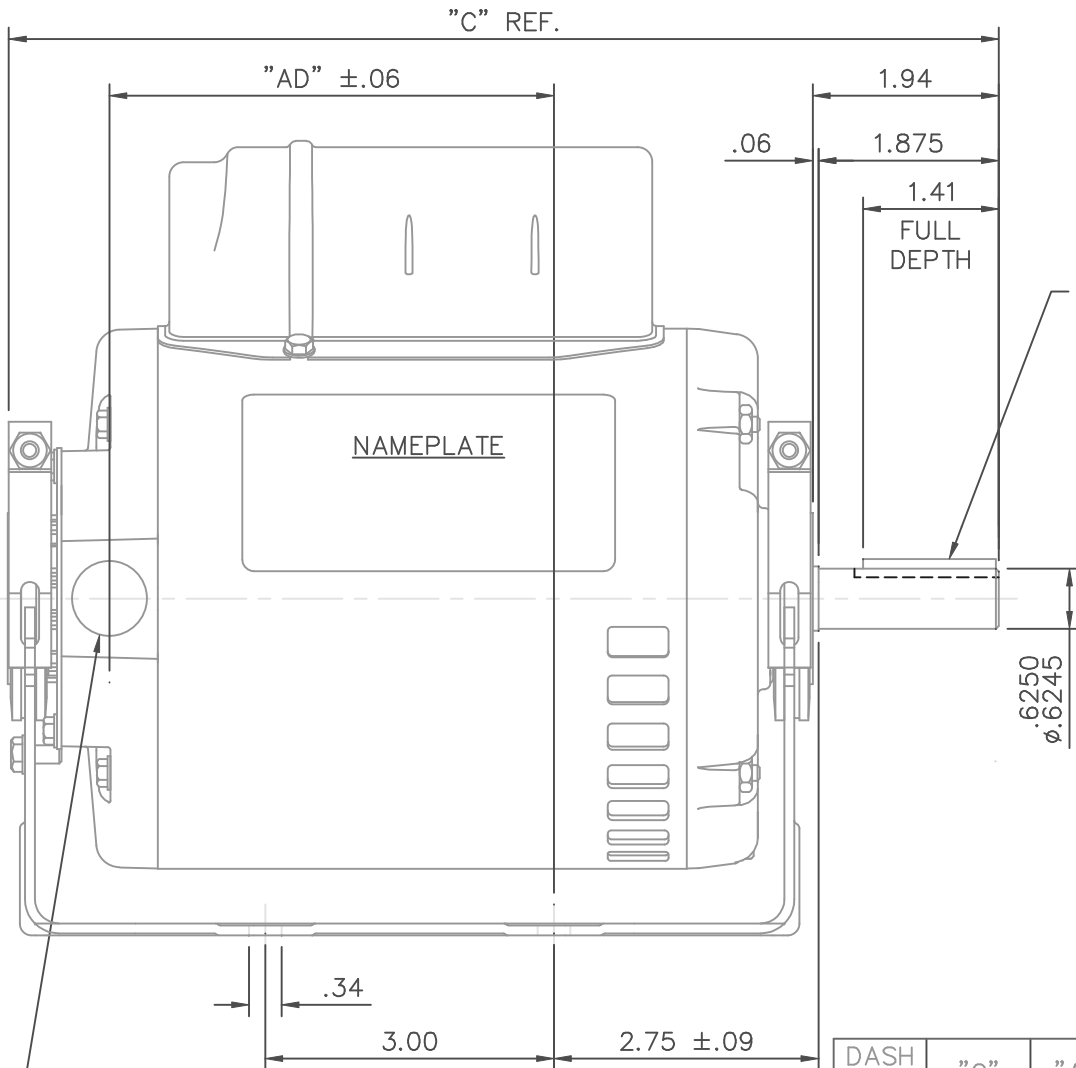



031775



.19 SQ. x 1.38 KEY

DASH NO.	"C"	"AD"
550	10.31	4.62
600	10.81	5.12
650	11.31	5.62
700	11.81	6.12

1/2-14 NPT CONDUIT HOLE (PLUGGED)

				TOLERANCES UNLESS SPECIFIED		 ELECTRIC MOTORS GEARMOTORS AND DRIVES	DRAWN PG 7/25/04 CHK APPD SCALE 1=2 REF 030187 FMF 100741.00 PREV
				DEC.	INCHES		TITLE OUTLINE - S56 FRAME RESILIENT MOUNT - DRIP PROOF MAT'L. 1 PHASE FINISH STANDARD
				.X	±.1		
				.XX	±.03		
				.XXX	±.005		
				.XXXX	±.0005		
NO.	REVISION	BY & DATE	CHK	ANG	±1/2"		
THIS DRAWING IN DESIGN AND DETAIL IS OUR PROPERTY AND MUST NOT BE USED EXCEPT IN CONNECTION WITH OUR WORK ALL RIGHTS OF DESIGN AND INVENTION ARE RESERVED THIS IS AN ELECTRONICALLY GENERATED DOCUMENT - DO NOT SCALE THIS PRINT				RFP	CAD FILE	031775	SIZE A
				DIST			DRAWING NO. 031775
							REV.