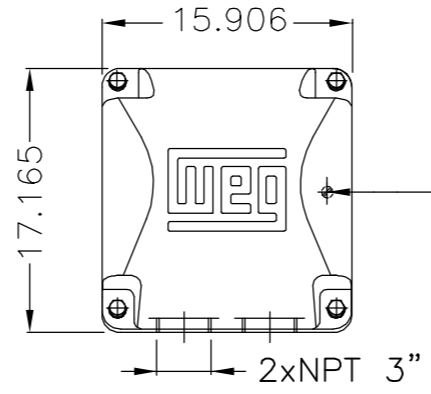
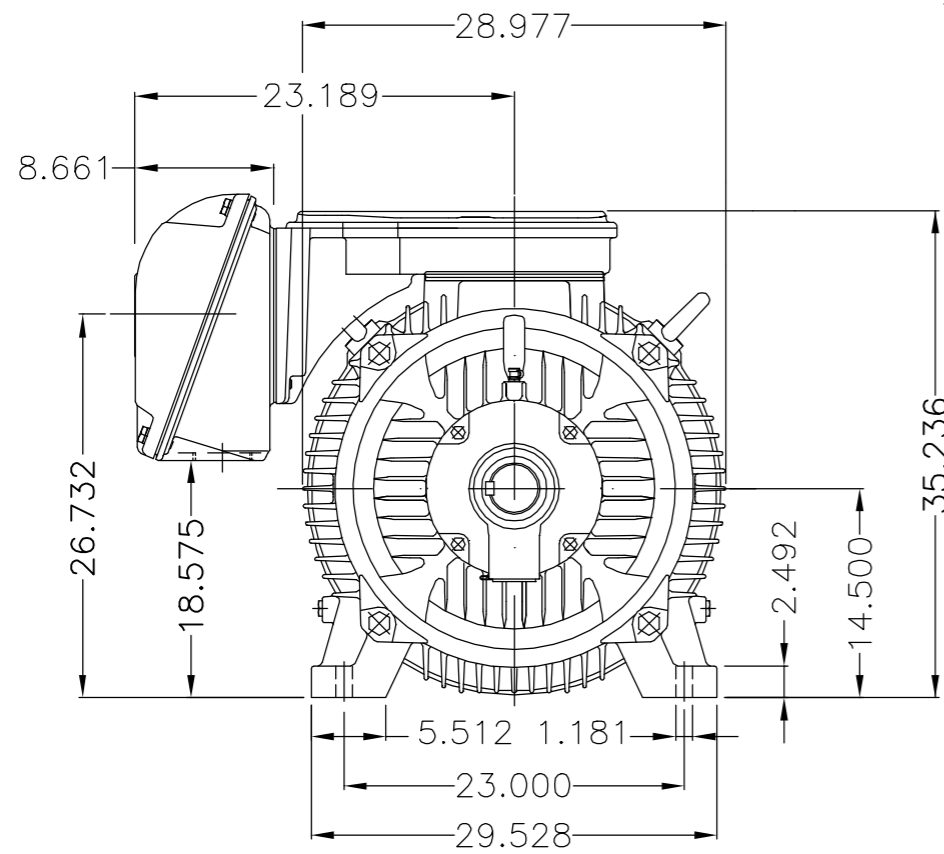


EIXO/SHAFT	
PADRÃO/STANDARD	X
OPCIONAL/OPTIONAL	
ESPECIAL/SPECIAL	

Dimensões em polegada  
Dimensions in inches

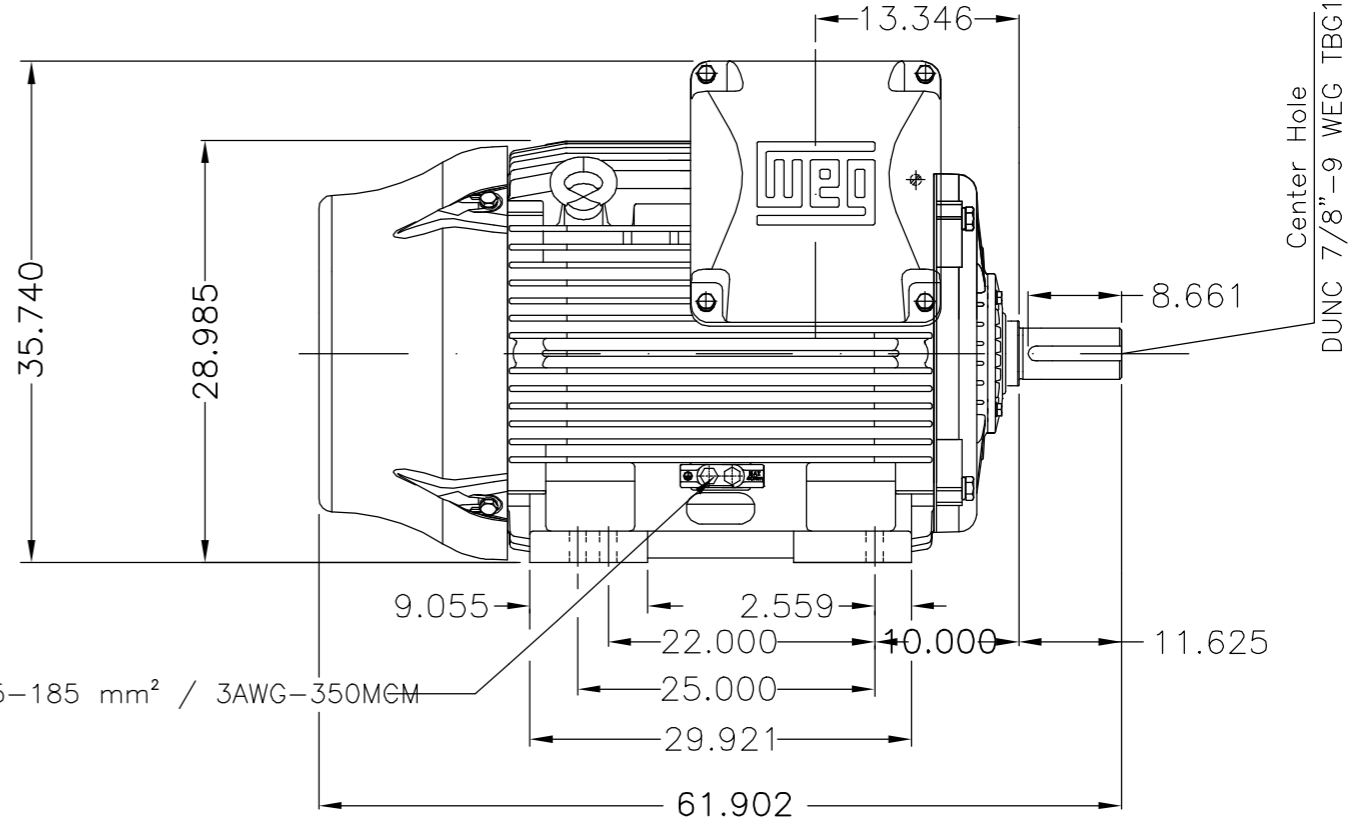
THIS IS AN UPDATED REVISION, THE PREVIOUS ONE MUST BE DISREGARDED.

A  
B  
C  
D  
E

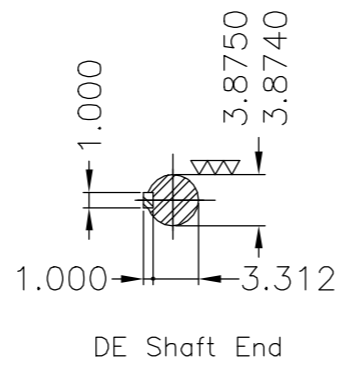


Main terminal box

Grounding for leads 35-120 mm<sup>2</sup> / 1-4/0 AWG



Grounding for leads 25-185 mm<sup>2</sup> / 3AWG-350MCM



DE Shaft End

Linha do motor: Crusher Duty / Motor purpose: Crusher Duty	
Rolamento dianteiro de rolos / DE roller bearing	
Dispositivo de travamento de eixo / Shaft locking device	
Tampa traseira com mancal eletricamente isolado	
NDE endshield with electrically insulated bearing hub	
Cor RAL 5009 / Color RAL 5009	
Plano de pintura 203A / Painting plan 203A	
Forma construtiva B3D / Mounting B3R(D)	
<b>WEG EQUIPAMENTOS ELÉTRICOS S/A</b>	

E	300 HP	08 Poles	60Hz	414658029	E	500001311790	ALT. CONF. CLAIM 414668751	GABRIELID	JMANENTE	23.05.2017	01			
	250 HP	08 Poles	60Hz	414668751	D	500001307387	DOCUMENTO NOVO	GABRIELID	JMANENTE	09.05.2017	00			
	400 HP	06 Poles	60Hz	414658029	C	ECM	LOC	SUMMARY OF MODIFICATIONS		EXECUTED	CHECKED	RELEASED	DATE	VER
	350 HP	06 Poles	60Hz	414658029	B	EXECUTED	GABRIELID	THREE PHASE W22 MOTOR		10004924169				
	300 HP	06 Poles	60Hz	414658029	A	CHECKED		FRAME 586/7T IP55 TEFC		000	01			

REL DT	09.05.2017	WMO	Jaragua do Sul	Product Engineering	SHEET	1 / 1
--------	------------	-----	----------------	---------------------	-------	-------

UNCONTROLLED COPY RELEASED ZME A3