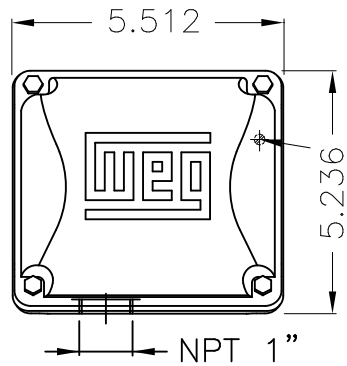


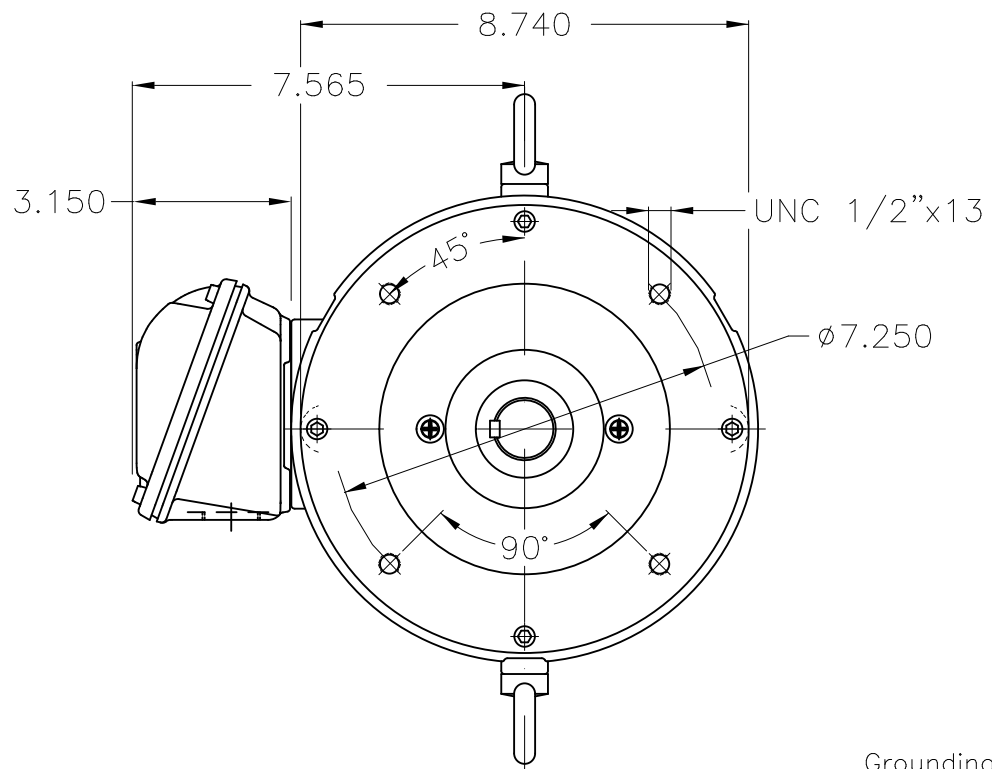
Dimensões em polegada
Dimensions in inches

THIS IS AN UPDATED REVISION, THE
PREVIOUS ONE MUST BE DISREGARDED.

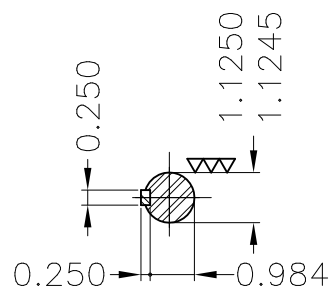
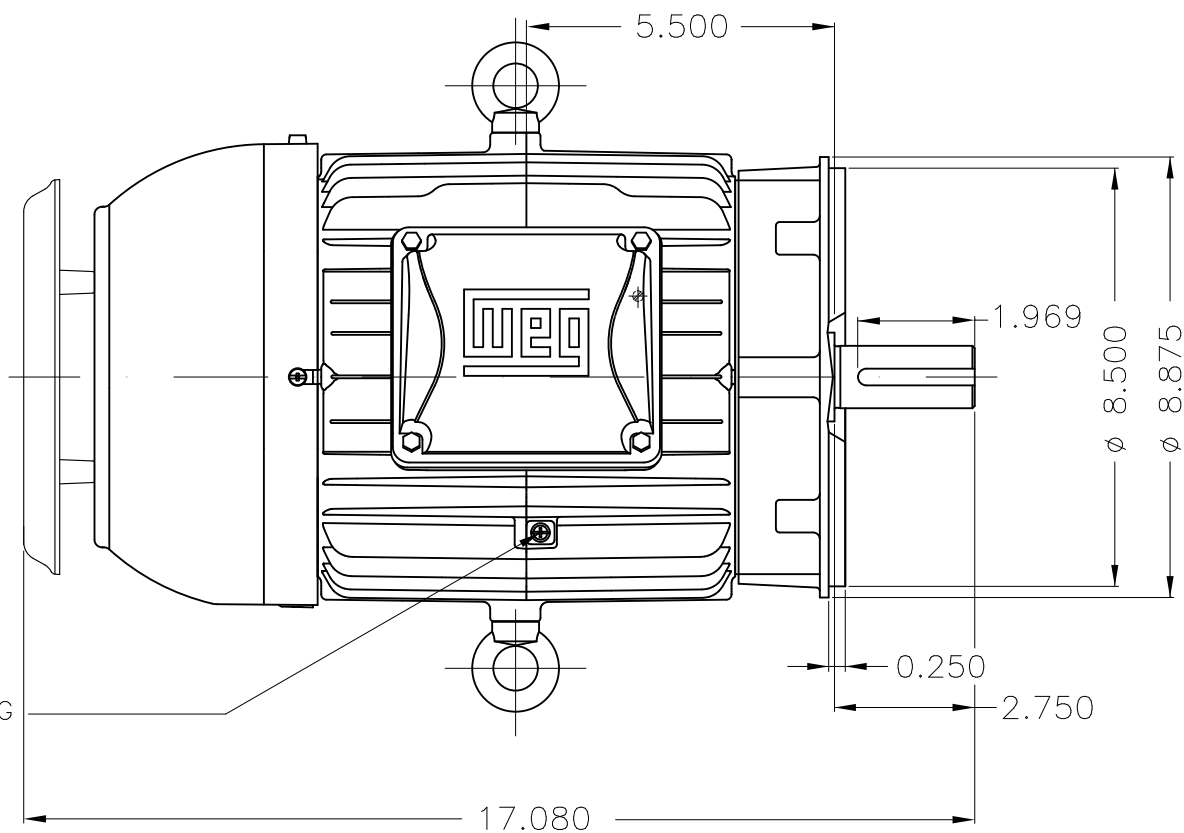


Grounding for leads 2-10 mm² / 14-7 AWG

Main terminal box

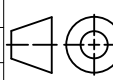


Grounding for leads 2-10 mm² / 14-7 AWG



DE Shaft End

Color RAL 5009
Painting plan 202E
Mounting V18

ECM	LOC	SUMMARY OF MODIFICATIONS		EXECUTED	CHECKED	RELEASED	DATE	VER
EXECUTED	USERADMIN		THREE PH. W22 NEMA P.EFF MOTOR IEEE841					
CHECKED			FRAME 182TC IP55 TEFC					
RELEASED			WEG code: 12822413					
REL DT	24.07.2017	WMO	Jaragua do Sul	Product Engineering	SHEET	1 / 1		

3 HP 04 Poles 60Hz

A

