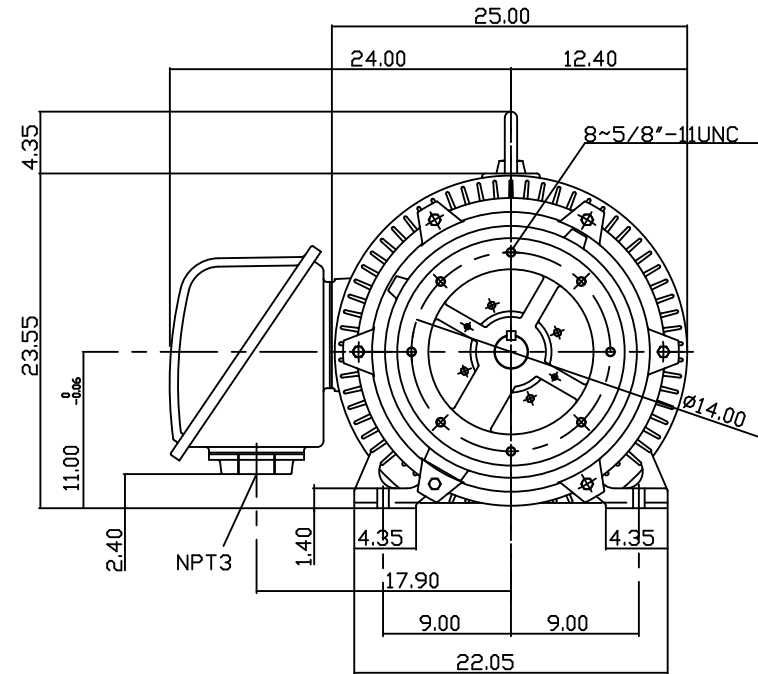
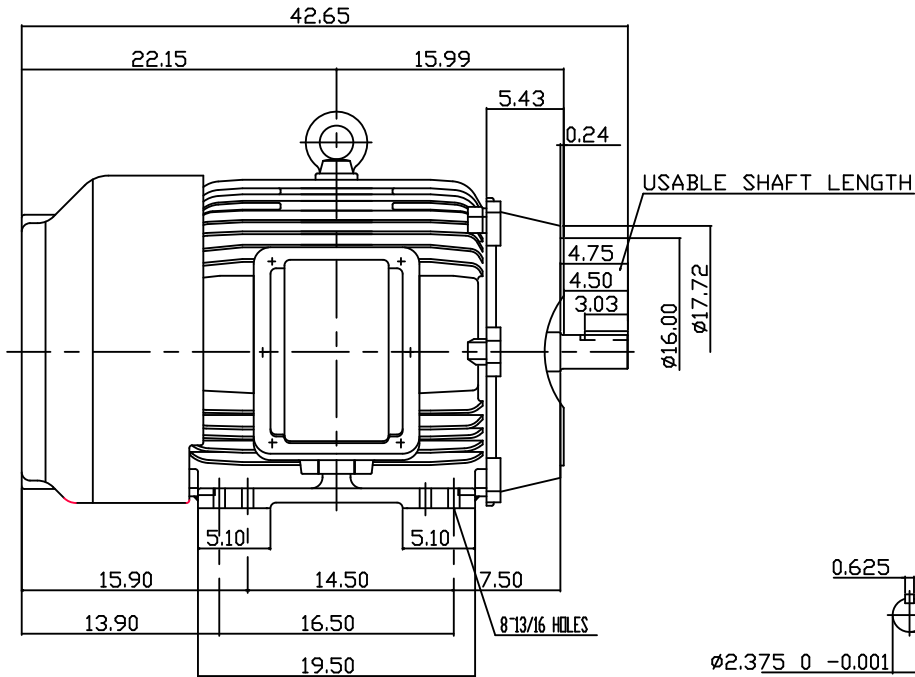


TYPE	OUTPUT		POLE	TIME RATING	VOLTAGE V	Hz	SYN.SPEED R.P.M
	HP.	kW.					
AEHH8NCF	150	111.9	2	CONT.	460	60	3600

TOTALLY ENCLOSED FAN-COOLED TYPE, SQUIRREL-CAGE ROTOR



NOTE:

1. DIMENSIONS IN INCH
2. FRAME NO. 445TSC
3. F CLASS INSULATION, S.F.1.15
4. FOR DIRECT FLEXIBLE COUPLING
5. ENCLOSURE: IP54
6. BEARING SIZE: DRIVE END: 6314C3
NON-DRIVE END: 6314C3
7. APPROX. WEIGHT: 1550 LBS

TW-56C

DATE July 31, 2013	OUTLINE DIMENSIONS
CATALOG # EP1502C	3-PHASE INDUCTION MOTOR
DWG NO. 3B040C721	REV: 00

DWN.	Y.ZHU	JAN '06 2006
CHKD.	H.HUANG	JAN '06 2006
APPD.	C.WANG	JAN '06 2006

TECO Westinghouse