

Product Information Packet

January 12, 2017

Data shown is for the current revision model #. Ensure your nameplate model # matches.

Model Number:	5KS213CAA105B
Catalog Number:	E9661
Instruction Manual:	GEI-56128
Connection Diagram:	GEM2034E-FIG3
Outline Drawing:	4002B5821RAP5201

Accessory Connection Diagrams			
Bearing Thermocouple:	None	Heater:	None
RTD:	None	Thermistor:	None
Thermostat:	3027JE-2A	Winding Thermocouple:	None
Bearing RTD:	None		

Table of Contents	
Specification	01
Performance Characteristics	02
Outline Drawing	03
Connection Drawing(s)	04

Marks:

MODEL NUMBER:	5KS213CAA105B	Estimated Weight:	200 Lbs
Outline Drawing:	4002B5821RAP5201	Time Rating:	CONT
Connection Diagram:	GEM2034E-FIG3	Enclosure:	TEFC
Instruction Book:	GEI-56128	Encl Construction:	XP
Design Code:	21BD0074AA	Ambient Max(°C):	40
Type:	KS	Alt Ambient Max(°C):	--
Frame:	213T	Insulation Class:	F
Phases:	3	NEMA Design:	B
Poles:	2	Nominal Efficiency:	89.5 %
Output Power:	7.5HP 5.6KW	Guaranteed Efficiency:	87.5
RPM:	3530	3/4 Load Efficiency:	90.1
Voltage:	230/460	KVA Code:	H
Hertz:	60	Max KVAR:	2.1
Amps - FL:	18.0/9.0	Power Factor:	87.5
Service Factor:	1.00	Bearing - DE:	6208ZC3
Alt Service Factor:	--	Bearing - ODE:	6208ZC3

Enclosure is Totally Enclosed Fan-Cooled

Stamped Nameplate Notes:

EXPLOSION PROOF MOTOR
TEMP CODE T3C
THERMOSTAT LEADS TB1-TB2
STAMP NP249A5571AD "CL I (C & D) CL II (F & G)"

Additional Information:

2P - T EXTN
STANDARD FLOOR MOUNT
C/BOX 26 CU IN-1.00 NPT
F1 CONDUIT BOX MOUNTING
AUX LEADS EXIT WITH MOTOR LEADS
CL I C & D CL II F & G EXPLOSION PROOF MOTOR

Performance Characteristics

1st Winding 1st Connection

Design: 21BD0074AA

Marks:

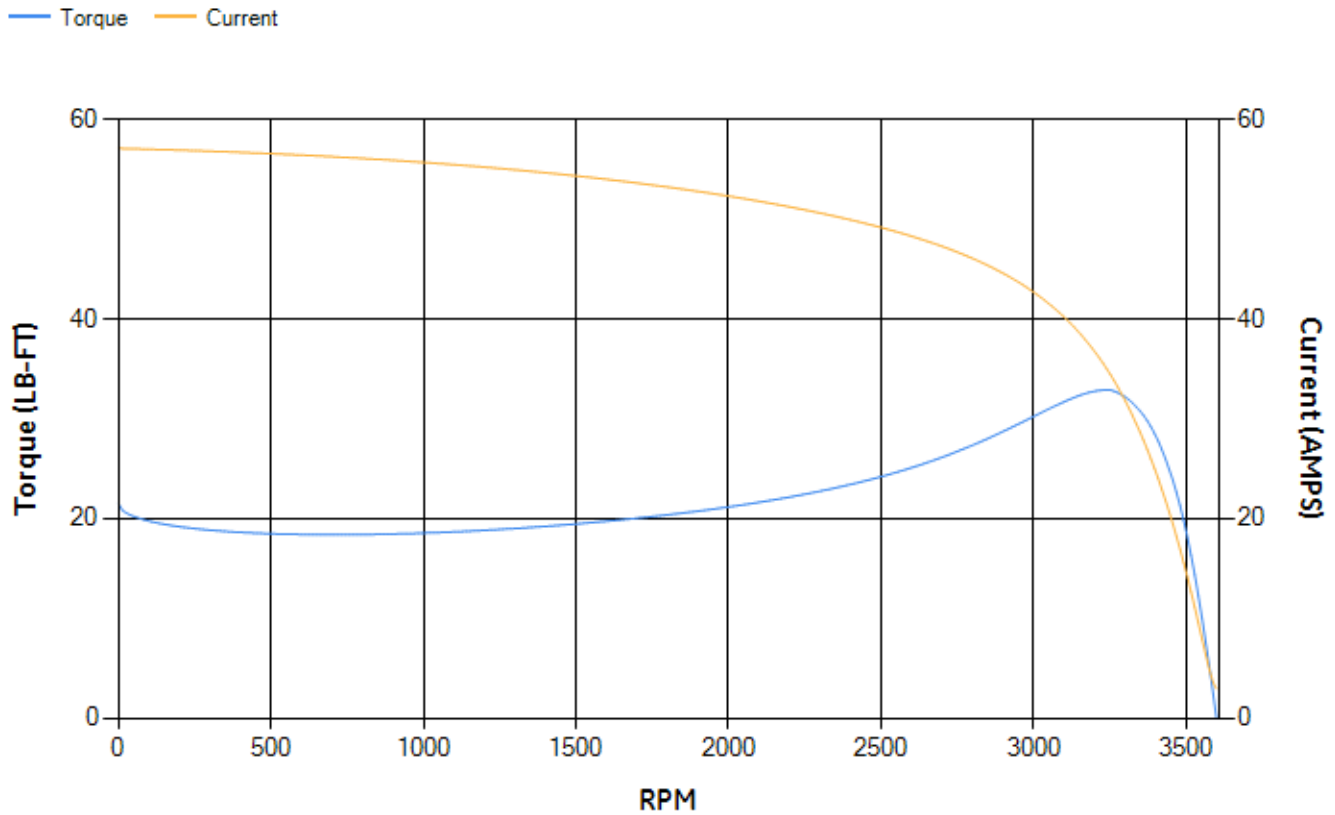
LOAD %	125.0	115.0	100.0	75.0	50.0	25.0	0.0
% EFF	88.42	88.94	89.78	90.1	89.36	84.45	0.00
% PF	88.62	88.37	87.57	84.47	76.7	56.43	9.41
AMPS	11.2	10.27	8.92	6.92	5.12	3.68	2.93

TORQ(FL)#FT	11.16	TORQ(LR)%FL	192.83	TORQ(BD)%FL	292.52
AMPS(LR)	57.09	PF AT START	0.36		

This motor is capable of two cold or one hot start with a maximum connected load inertia of 78 Lb-Ft Sq (3.28 Kg-meter Sq)at 100% voltage, where the load torque varies with the square of the speed. Acceleration time with maximum inertia and the above load type is 49 seconds. Safe stall time at 100% voltage is 85 seconds cold, 59 seconds hot. Rotor inertia is 0.31 Lb-Ft Sq (0.01 Kg-meter Sq).

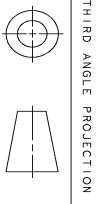
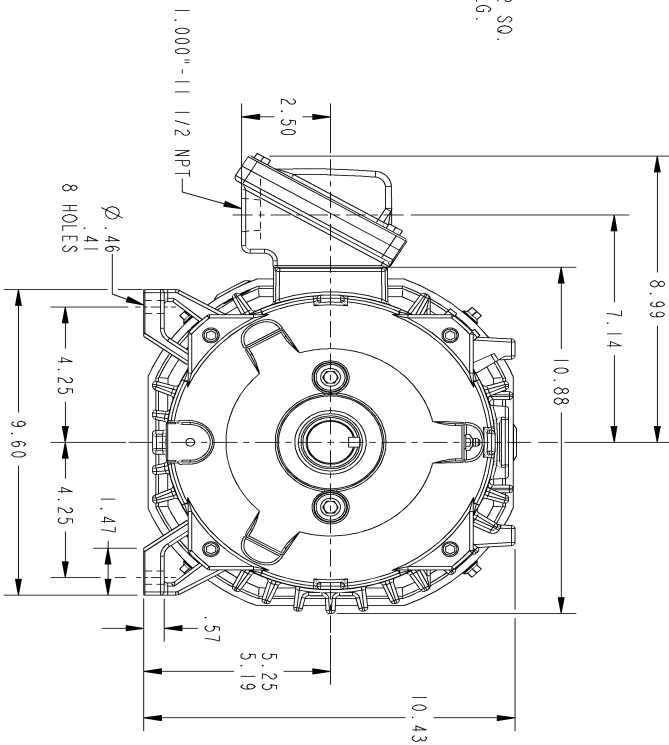
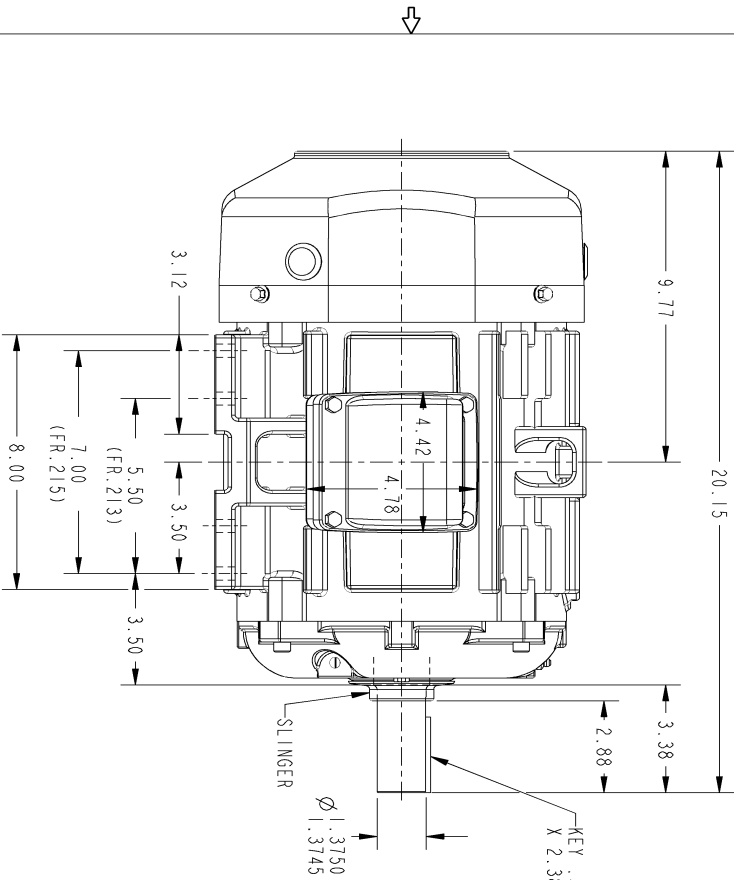
Open Circuit A-C:	0.406	Short Circuit D-C:	0.01
Short Circuit A-C:	0.018	X/R Ratio:	3.858
Stator Slots:	36	Rotor Slots:	26

Speed Torque Current Curve (First Connection, First Speed)



Marks:

NOTE 1: CONDUIT BOX MAY BE ASSEMBLED WITH ENTRANCE UP, DOWN OR TO EITHER SIDE.
 NOTE 2: F1 ASSEMBLY AS SHOWN. F2 ASSEMBLY CONDUIT BOX ON OPPOSITE SIDE FROM SHOWN LOCATION.
 NOTE 3: MOUNTING SURFACES TO BE SQUARE AND CONCENTRIC WITH SHAFT WITHIN .004 T.I.R.
 NOTE 4: SHAFT RUNOUT NOT TO EXCEED .002 T.I.R.



THIRD ANGLE PROJECTION

SIZE B DRAWING NO. 4002B5821RAP5201

SH 1 REV 1

REVISIONS

REV.	DESCRIPTION	DATE	APPROVED
1	ISAC#14-0486	06/17/14	KARTHIK

SIGNATURES	DATE
DRMAN BHARTHI	06/20/03
CHECKED ANAND	06/20/03
ENGRS BHARTHI	06/20/03
ISSUED	
APPLIED PRACTICES	

GE Industrial Systems GENERAL ELECTRIC COMPANY
 Fort Wayne, Indiana

INDUCTION MOTOR OUTLINE
 STANDARD CONSTRUCTION
 FME: FR20T TFC EXPLOSION PROOF 26 CU IN. C/BOX

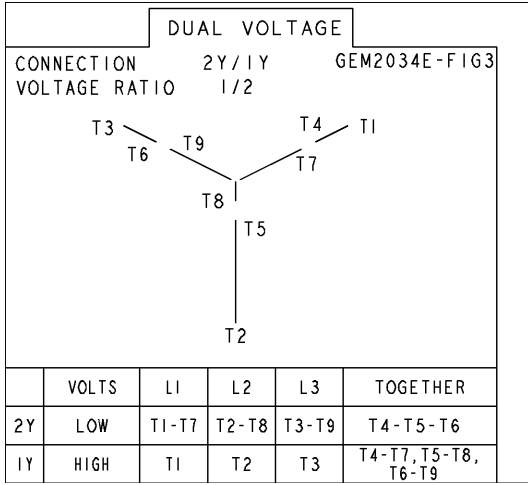
SIZE DRAWING 4002B5821RAP5201 REV. 1

SCALE: 0.300 REF. NO: 4002B5821RAP201 SHEET 0F 1

DISTRIBUTION: PMP-1BK15

Marks:

Connection Diagram
GEM2034E-FIG3



Thermostat Connection
3027JE-2A

