

Product Information Packet

November 8, 2016

Data shown is for the current revision model #. Ensure your nameplate model # matches.

Model Number:	5KS405SAA404D6
Catalog Number:	M9536
Instruction Manual:	GEI-56128
Connection Diagram:	GEM2034E-FIG1
Outline Drawing:	239C6400AA

Accessory Connection Diagrams			
Bearing Thermocouple:	None	Heater:	None
RTD:	None	Thermistor:	None
Thermostat:	None	Winding Thermocouple:	None
Bearing RTD:	None		

Table of Contents

Specification	01
Performance Characteristics	02
Outline Drawing	03
Connection Drawing(s)	04
Spare parts	05



Marks:

MODEL NUMBER:	5KS405SAA404D6	Estimated Weight:	1440 Lbs
Outline Drawing:	239C6400AA	Time Rating:	CONT
Connection Diagram:	GEM2034E-FIG1	Enclosure:	TEFC
Instruction Book:	GEI-56128	Encl Construction:	X\$D
Design Code:	40BD4024B	Ambient Max(°C):	40
Type:	KS	Alt Ambient Max(°C):	60
Frame:	405T	Insulation Class:	H
Phases:	3	NEMA Design:	B
Poles:	8	Nominal Efficiency:	93.0 %
Output Power:	60HP 44.4KW	Guaranteed Efficiency:	92.4
RPM:	890	3/4 Load Efficiency:	93.7
Voltage:	575	KVA Code:	G
Hertz:	60	Max KVAR:	31.7
Amps - FL:	67.6	Power Factor:	71.5
Service Factor:	1.15	Bearing - DE:	6316ZC3S0
Alt Service Factor:	1.00	Bearing - ODE:	6316ZC3S0

Enclosure is Totally Enclosed Fan-Cooled

Stamped Nameplate Notes:

STAMP NP249A5564P051 AS BELOW:
 MODEL:5KS405SAA404D6 S/N: XXX
 CSA CERTIFIED CSA09.2216219 FOR EX NA IIC 200 C GC
 CL 1 ZONE2 AEX NA IIC 200C;CL 1 DIV2 GRP ABCD 200C
 IN -40C <= AMB <= 40C, 1.0 SF ON SINE-WAVE PWR
 SURF TEMP 260C AT 1.15SF ON SINE-WAVE PWR
 OR 200C VT OR 230C CT OR 200C CHP PWM CONTROL
 ALTERNATE RATING FOR PWM CONTROL 1.0SF 40C AMB
 VT 0-60 HZ, CT 20-60 HZ, CHP 60-90 HZ.

Additional Information:

8P - T EXTN
 C/BOX 700 CU IN - 3.00" NPT
 OIL RESISTANT SLEEVING ON LEADS
 F1 MOUNTING

Performance Characteristics

1st Winding 1st Connection

Design: 40BD4024B

Marks:

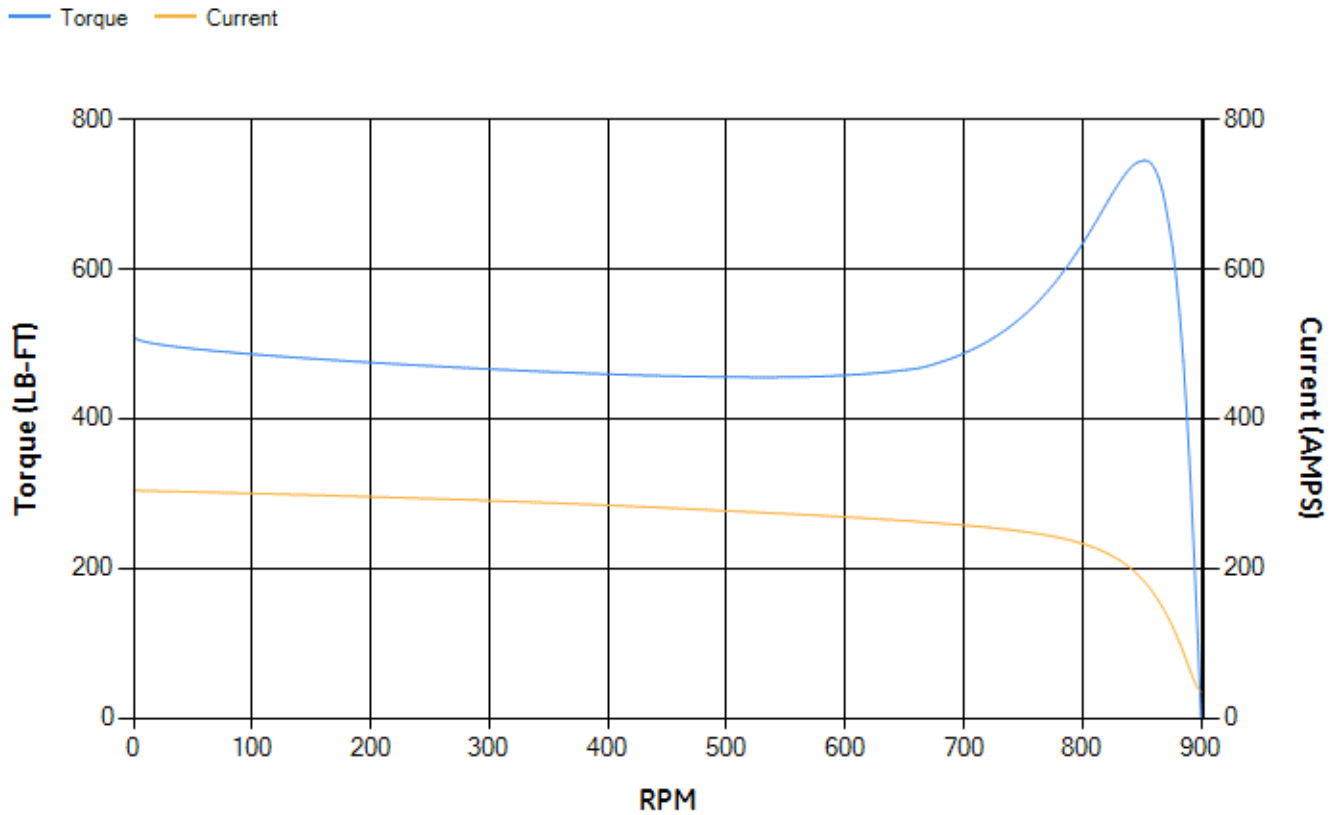
LOAD %	125.0	115.0	100.0	75.0	50.0	25.0	0.0
% EFF	92.48	92.86	93.51	93.7	93.26	90.03	0.00
% PF	74.59	73.71	71.61	65.23	53.23	32.55	2.79
AMPS	81.41	75.48	67.05	55.13	45.25	38.33	35.31

TORQ(FL)#FT	354.5	TORQ(LR)%FL	143.76	TORQ(BD)%FL	209.68
AMPS(LR)	304.05	PF AT START	0.36		

This motor is capable of two cold or one hot start with a maximum connected load inertia of 5381 Lb-Ft Sq (226.54 Kg-meter Sq)at 100% voltage, where the load torque varies with the square of the speed. Acceleration time with maximum inertia and the above load type is 41 seconds. Safe stall time at 100% voltage is 124 seconds cold, 64 seconds hot. Rotor inertia is 32.14 Lb-Ft Sq (1.35 Kg-meter Sq).

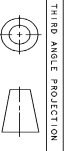
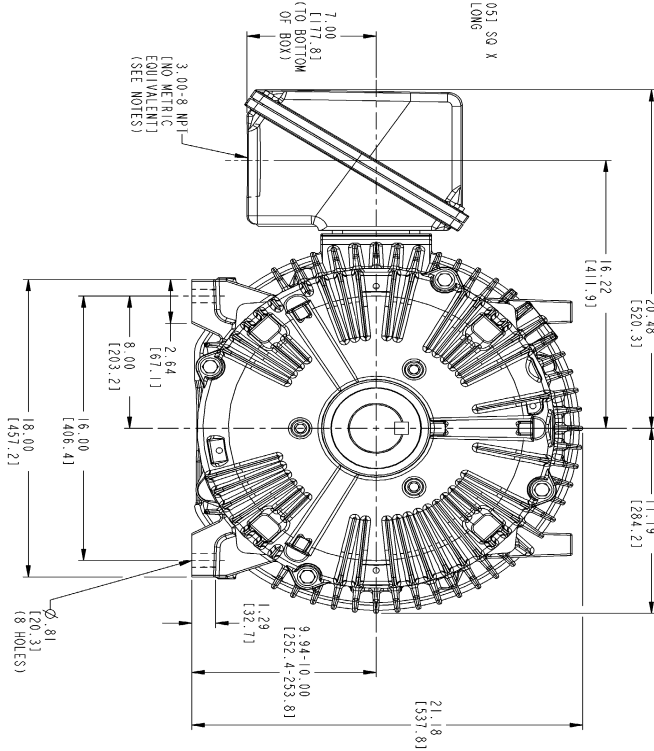
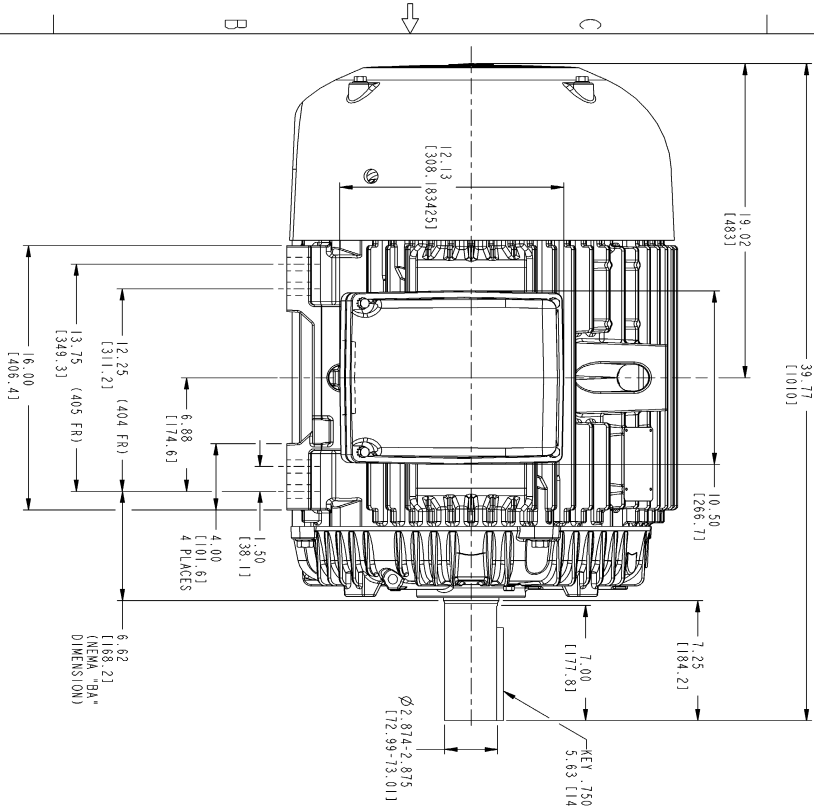
Open Circuit A-C:	0.362	Short Circuit D-C:	0.021
Short Circuit A-C:	0.038	X/R Ratio:	7.853
Stator Slots:	72	Rotor Slots:	58

Speed Torque Current Curve (First Connection, First Speed)



NAME: 103016807 OBJECT: 239C6400AA DATE: 08-Aug-03 09:32:41

Marks:



NOTES:

1. CONDUIT BOX MAY BE PLACED WITH THE ENTRANCE DOWN, UP OR ON EITHER SIDE.
2. F-1 ASSEMBLY AS SHOWN.
3. F-2 ASSEMBLY HAS CONDUIT BOX ON OPPOSITE SIDE.
4. BRACKETED DIMENSIONS ARE METRIC (MILLIMETERS).

SIGNATURES	DATE	REVISIONS	DATE	APPROVED
DESIGNER J.M. JOHNSON	03/29/00	1	05/23/01	D.E. BAIR
CHECKED W. ELLISWORTH	05/11/00	2	06/13/01	C. ALTH
DRAWN D. STARK	05/11/00	3	02/04/02	
APPLIED PRACTICES		4	08/06/03	

		GENERAL ELECTRIC COMPANY Fort Wayne, Indiana	
OUTLINE 404/405T TEFC 700 CU. IN. CONDUIT BOX			
SCALE: 0.220	REF. NO.:	SHEET NO. 1	REV. 4

DISTRIBUTION: MMP

Marks:

Connection Diagram
GEM2034E-FIG1



End shield Assembly		
Part Description	DE Side Part#	ODE Side Part#
End Shield	115E4304AA1	115E4304LL1
Bearing	235A2618AA04	235A2618AA04
Slinger/Inproseal	149C4399G06	149C4399G06

Fan & Fan Cover Assembly	
Part Description	Part#
Fan	159C7100G02
Fan Cover	128D6832AA1

Conduit & Accessories Box Assembly	
Part Description	Part#
Conduit Box	118D4408AD2

Mechanical Accessories	
Part Description	Part#
Brake	
Tachometer	