

Product Information Packet

November 7, 2016

Data shown is for the current revision model #. Ensure your nameplate model # matches.

Model Number:	5KS184ATE206A
Catalog Number:	E7716
Instruction Manual:	GEI-M1023
Connection Diagram:	GEM2034E-FIG7
Outline Drawing:	358B6214AB

Accessory Connection Diagrams			
Bearing Thermocouple:	None	Heater:	None
RTD:	None	Thermistor:	None
Thermostat:	None	Winding Thermocouple:	None
Bearing RTD:	None		

Table of Contents	
Specification	01
Performance Characteristics	02
Outline Drawing	03
Connection Drawing(s)	04

Marks:

MODEL NUMBER:	5KS184ATE206A	Estimated Weight:	105 Lbs
Outline Drawing:	358B6214AB	Time Rating:	CONT
Connection Diagram:	GEM2034E-FIG7	Enclosure:	DP
Instruction Book:	GEI-M1023	Encl Construction:	OPEN
Design Code:	18AD1008C	Ambient Max(°C):	40
Type:	KS	Alt Ambient Max(°C):	--
Frame:	184T	Insulation Class:	F
Phases:	3	NEMA Design:	A
Poles:	4	Nominal Efficiency:	89.5 %
Output Power:	5HP 3.7KW	Guaranteed Efficiency:	87.5
RPM:	1740	3/4 Load Efficiency:	90.5
Voltage:	200	KVA Code:	J
Hertz:	60	Max KVAR:	1.6
Amps - FL:	14.4	Power Factor:	82
Service Factor:	1.15	Bearing - DE:	6207ZZ
Alt Service Factor:	--	Bearing - ODE:	6206ZZ

Enclosure is Dripproof

Stamped Nameplate Notes:**Additional Information:**

4 POLE ODP
 LRA: 115.1 AMPS
 NO OF MOTOR LEADS: 3
 CONDUIT BOX VOLUME (IN³): 30.2
 CONDUIT BOX MTL: STAMPED STEEL
 GREASE TYPE: SHELL ALVANIA R3 LITHIUM GREASE
 50 HZ DATA: 5 HP, 200V, 15.6 AMPS @ 1.0 SF, 1450 RPM
 SOUND POWER: 70
 INVERTER DUTY PER NEMA MG1 PART 31
 FOR VARIABLE TORQUE LOADS

Performance Characteristics

1st Winding 1st Connection

Design: 18AD1008C

Marks:

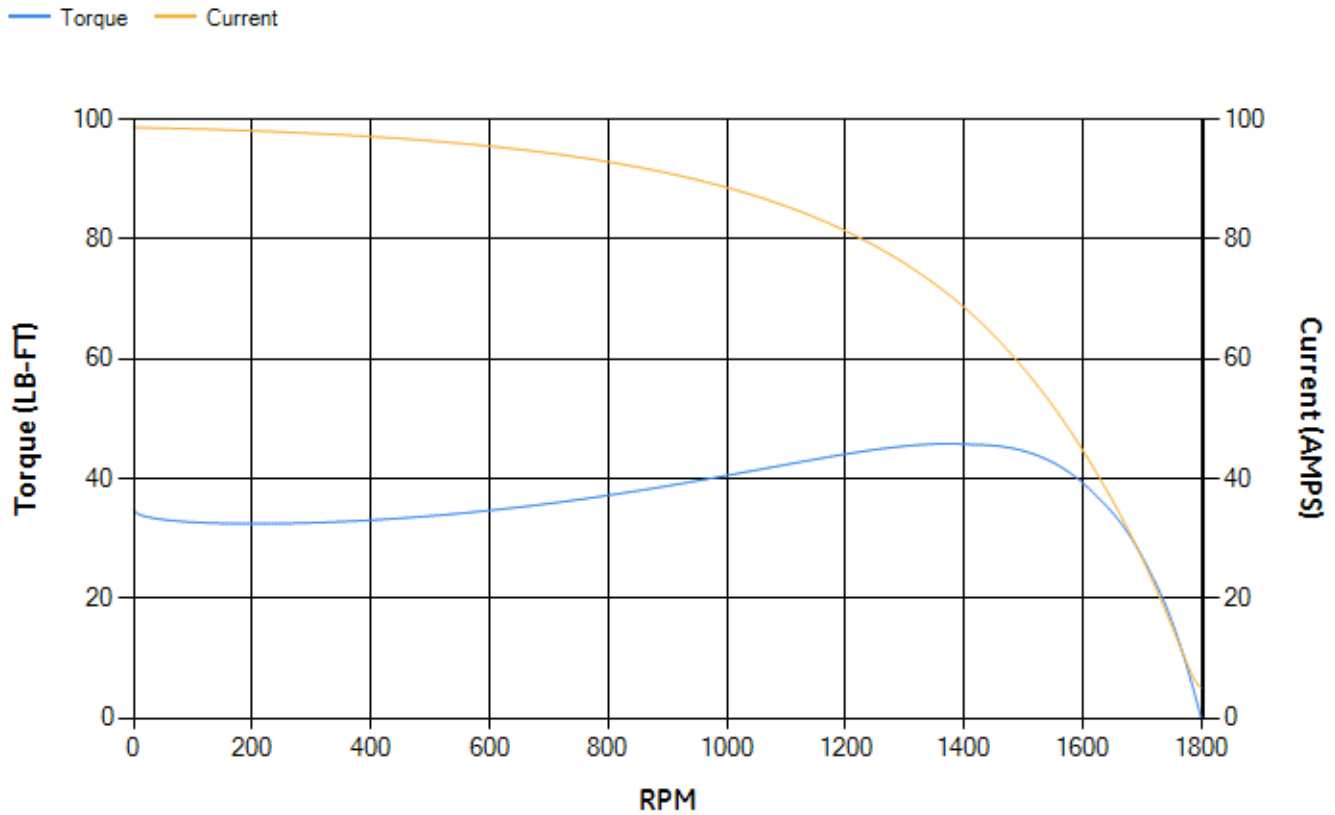
LOAD %	125.0	115.0	100.0	75.0	50.0	25.0	0.0
% EFF	87.23	88.1	89.41	90.52	90.75	87.69	0.00
% PF	84.54	84.3	83.4	79.74	70.88	49.67	5.93
AMPS	18.24	16.67	14.44	11.18	8.37	6.18	5.08

TORQ(FL)#FT	15.09	TORQ(LR)%FL	230.63	TORQ(BD)%FL	298.38
AMPS(LR)	98.63	PF AT START	0.44		

This motor is capable of two cold or one hot start with a maximum connected load inertia of 114 Lb-Ft Sq (4.8 Kg-meter Sq) at 100% voltage, where the load torque varies with the square of the speed. Acceleration time with maximum inertia and the above load type is 20 seconds. Safe stall time at 100% voltage is 61 seconds cold, 34 seconds hot. Rotor inertia is 0.46 Lb-Ft Sq (0.02 Kg-meter Sq).

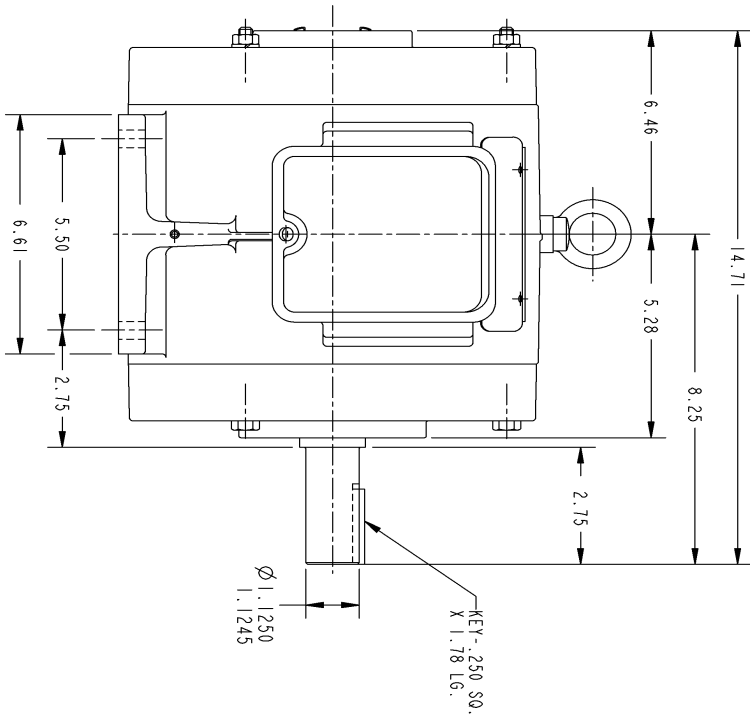
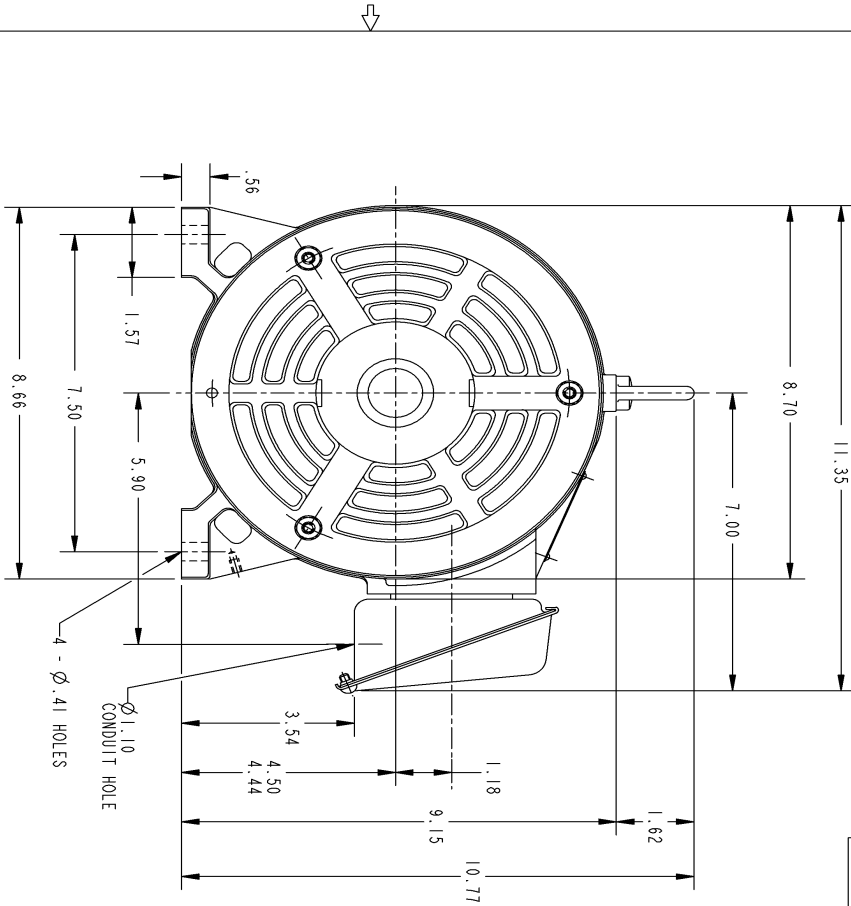
Open Circuit A-C:	0.226	Short Circuit D-C:	0.008
Short Circuit A-C:	0.01	X/R Ratio:	3.068
Stator Slots:	36	Rotor Slots:	28

Speed Torque Current Curve (First Connection, First Speed)



NAME:501452442 OBJECT:358B6214AB DATE:24-May-07 23:02:33

Marks:



THIS DRAWING IS THE PROPERTY OF GEORGE FISHER COMPANY (GFC) AND WILL BE RETURNED TO GFC UPON REQUEST. THIS DRAWING IS LOANED TO THE USER UNDER THE UNDERSTANDING THAT IT IS TO BE USED FOR THE DESIGN AND CONSTRUCTION OF THE USER'S EQUIPMENT ONLY. THIS DRAWING IS NOT TO BE REPRODUCED OR COPIED IN ANY MANNER WITHOUT THE WRITTEN PERMISSION OF GFC. GFC ACCEPTS NO LIABILITY FOR ANY DAMAGE OR LOSS OF PROFITS, BUSINESS, OR REPUTATION, OR FOR ANY SPECIAL, CONSEQUENTIAL, OR INCIDENTAL DAMAGES, WHETHER IN AN ACTION OF CONTRACT, TORT, OR OTHERWISE, ARISING FROM THE USE OF THIS DRAWING.

SIZE: DRAWING FOR B 358B6214AB GE PROPRIETARY INNOVATION

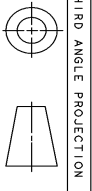
REV.	DESCRIPTION	DATE	APPROVED
1	ISAAC 07-0770	05/02/07	R. KOHNE

SHEET 1 REV 1

REVISIONS

NOTES :

1. CONDUIT BOX MAY BE PLACED WITH THE ENTRANCE DOWN, UP OR ON EITHER SIDE.
2. F-1 ASM AS SHOWN.
3. F-2 ASM - HAS CONDUIT BOX ON OPPOSITE SIDE.



THIRD ANGLE PROJECTION

UNLESS OTHERWISE SPECIFIED:		SIGNATURES		DATE	
DIMENSIONS ARE IN INCHES		DRAWN		P. RAJU 03/28/03	
TOLERANCE ON:		CHECKED		03/27/03	
2 PL DECIMALS ± .		ENGRS		PRADESHKAR	
3 PL DECIMALS ± .		ISSUED		03/27/03	
ANGLES ± 1°		APPLIED PRACTICES		PRADESHKAR	
MATERIAL:		SIZE/DRAWING		REV.	
		B 358B6214AB		1	
		SCALE: DRAWING SCALE		SHEET 1 OF 1	

GE Industrial Systems
GENERAL ELECTRIC COMPANY
Fort Wayne, Indiana

OUTLINE
184T - OPEN DRIP PROOF

DISTRIBUTION:

Marks:

Connection Diagram
GEM2034E-FIG7

