

DASH	FRAME	C	A
375	48Y	11.19	4.25
400	48Y	11.44	4.50
425	48Y	11.69	4.75
450	48Y	11.94	5.00
475	48Y	12.19	5.25
500	48Y	12.44	5.50

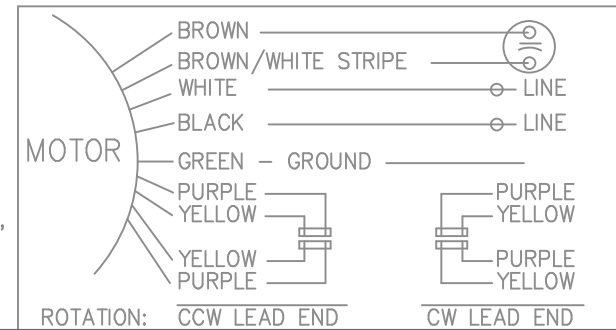
LEAD DESCRIPTION:

1 BLACK, AND 1 WHITE LEAD WITH .50 BARE WIRE STRIP 30.00" LONG.

2 BROWN CAPACITOR LEADS WITH .25 FLAG-TYPE QUICK CONNECTS 30.00" LONG BROWN WITH WHITE MARK IS COMMON TO WHITE LEAD.

REVERSING LEADS ARE MOLDED INTO MATING PULL APART PLUGS 1 PURPLE, AND 1 YELLOW PER PLUG 5.00" LONG.

GREEN GROUND LEAD WITH TERM. FOR #10 SCREW 12.00" LONG.



			TOLERANCES UNLESS SPECIFIED		MARATHON ELECTRIC		DRAWN BLR 09-14-1995		
			DEC.	INCHES	TITLE OUTLINE		CHK DA 09-28-1995		
6	UPDATED DRAWING	TJW 04/13/2007					APPD GK 09-28-1995		
5	REDRAWN IN AUTOCAD	TAT 08-03-2004	ML	.X			SCALE 3=8		
4	REAR BRACKET WAS IDENTIFIED WRONG	BRH 04-19-1996		.XX			REF		
3	REV. NAMEPLATE LOC., ADD'D SLINGER CN 21725-385	BLR 04-16-1996		.XXX			FMF		
2	REDRAWN AND REVISED LEAD LENGTHS CN 21148	BLR 09-28-1995		.XXXX	MAT'L.		PREV		
NO.	REVISION	BY & DATE	CHK	ANG	FINISH				
			RFP		CAD FILE ss74450	SIZE	DRAWING NO.	PAGE OF	REV.
			DIST	WP		A	SS74450		6

THIS DRAWING IN DESIGN AND DETAIL IS OUR PROPERTY AND MUST NOT BE USED EXCEPT IN CONNECTION WITH OUR WORK ALL RIGHTS OF DESIGN AND INVENTION ARE RESERVED THIS IS AN ELECTRONICALLY GENERATED DOCUMENT - DO NOT SCALE THIS PRINT