

DATE  
AUG. 18, 2011  
CAT. #: XPO404C

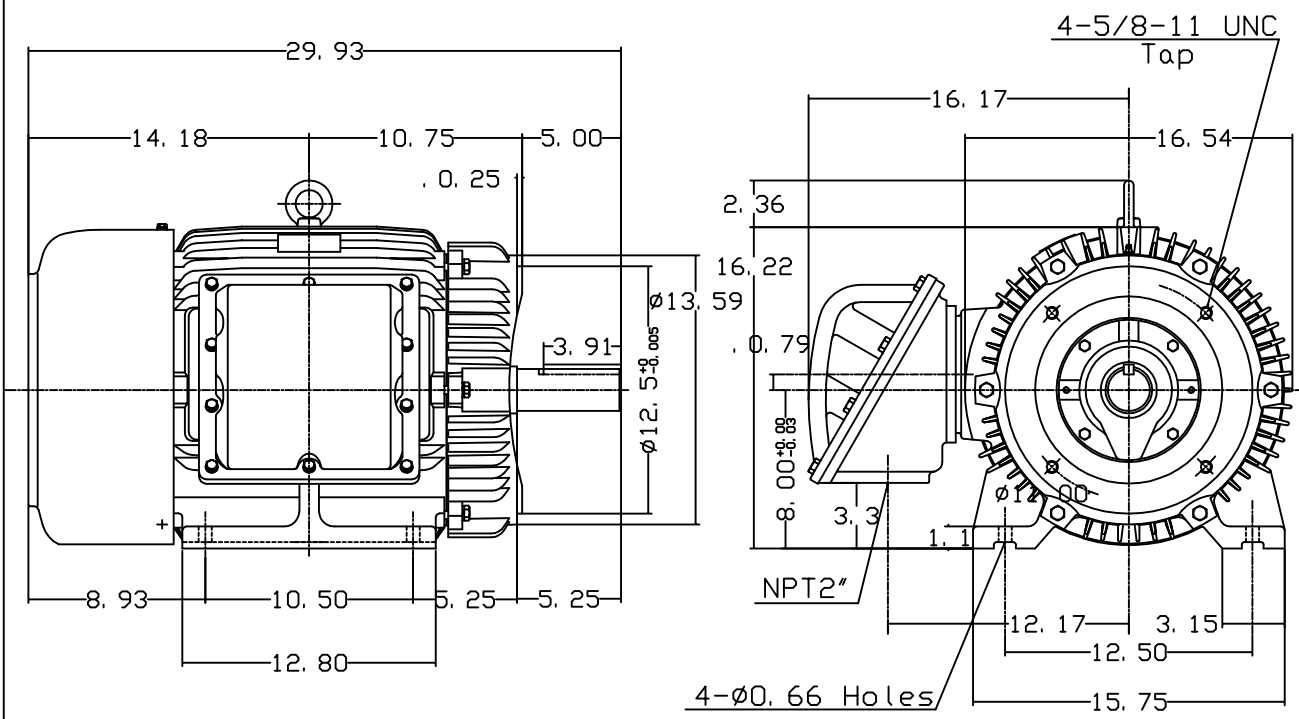
OUTLINE DIMENSIONS  
3-PHASE INDUCTION MOTOR

MOTOR TYPE:  
AEHHXF  
FRAME NO. 324TC

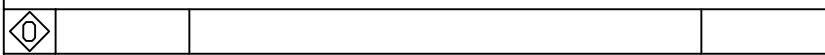
Pole	HP	KW	Hz	VOLT	Syn. Speed r/min(rpm)
4	40	30	60	230/460	1800

Ins	Rating	Dimension in	Approx Weight	Bearings	
F	CONT.	inches	715 LBS	DE: 6312	NDE: 6212

Totally Enclosed Fan Cooled Type. Squirrel-cage Rotor.



Note:  
1. Explosion proof:  
Class I Group D and  
Class II Group E, F, G.



DWN.	J. H. LIANG	11:30:00
CHKD.	C. H. KAO	03:07:01
APPD.	Y. B. HUANG	03:07:01

TEC Westinghouse

DWG NO.  
31049M629090