

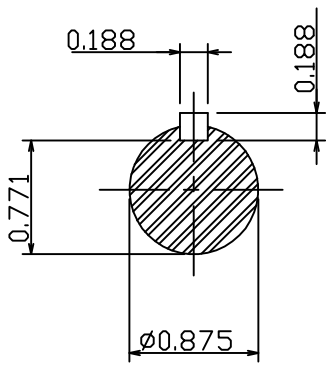
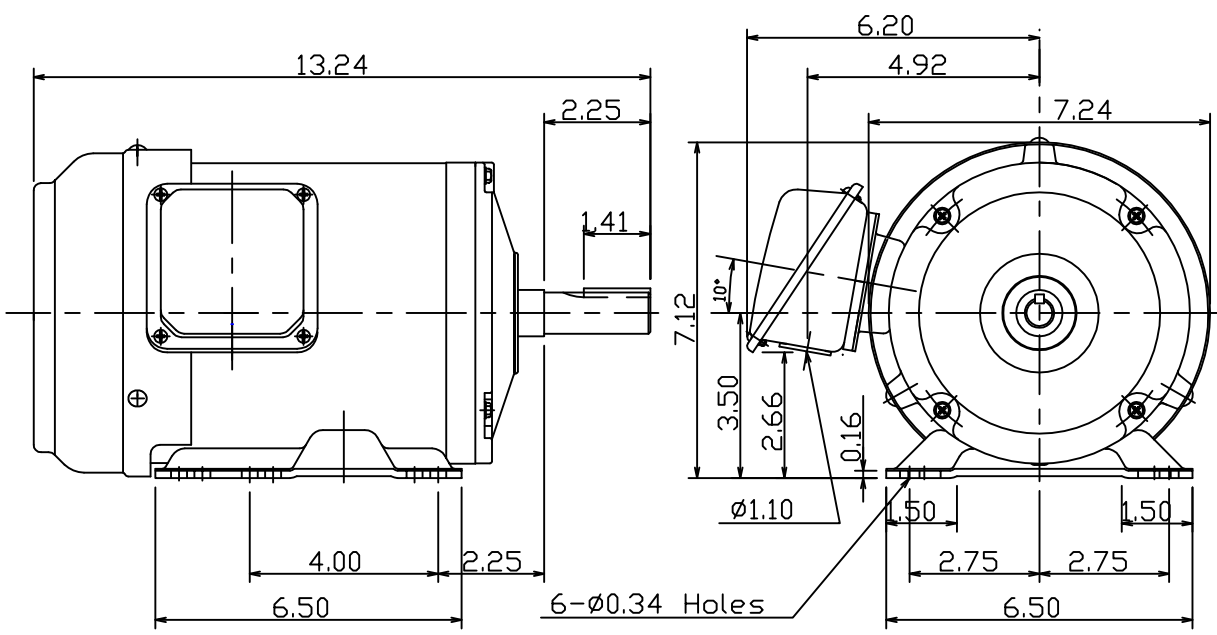
DATE
MAY 28, 2009
CATALOG # GP1/52

OUTLINE DIMENSIONS
3-PHASE INDUCTION MOTOR

MOTOR TYPE:
AEGH
FRAME NO. 143T

Pole	HP	kW	Hz	VOLT	r/min
2	1.5	1.12	60	230/460	3600

Ins	Rating	Dimension in	Approx Weight	Bearings
F	CONT.	inch.	29 lbs.	DE: 6205ZZ NDE: 6204ZZ



DWN.	陳奕元	04-09-09
CHKD.	陳敬元	04-09-09
APPD.	蔡明釗	04-09-09

東元電機股份有限公司
TECO Electric & Machinery Co., Ltd.
TAIWAN

DWG NO.
31049Z107470