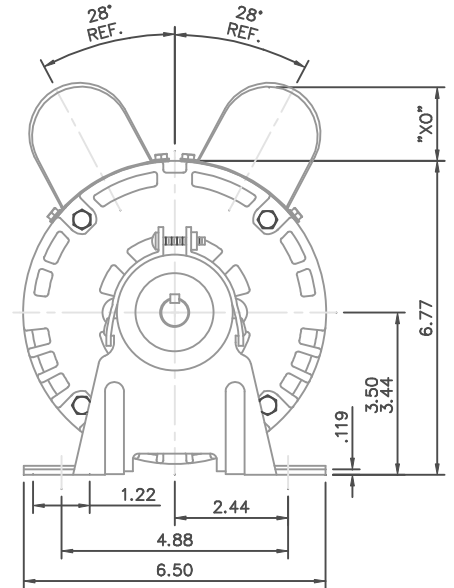
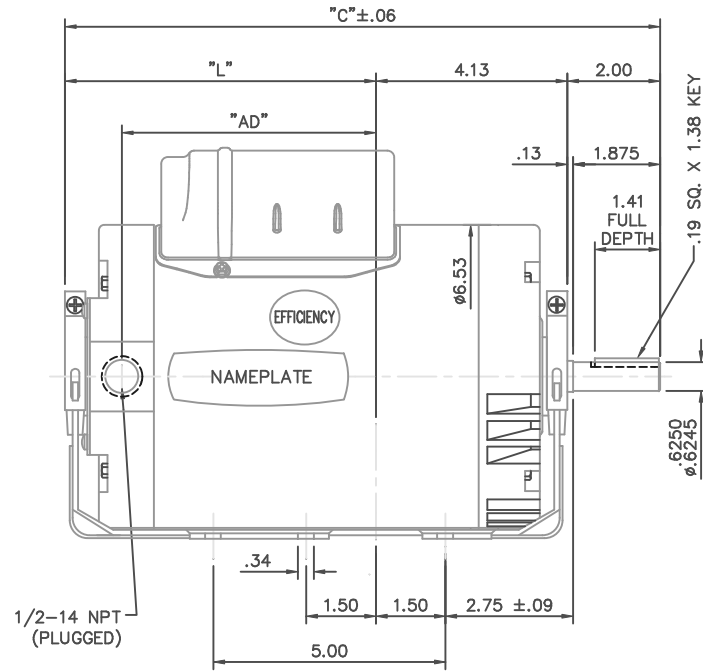


DECAL CONNECTION UNDER COVER (WHEN REQ'D.)



DASH NO.	"C"	"L"	"AD"	CAP. DASH	"XO"
500	10.82	4.70	3.47	A	1.00
550	11.32	5.20	3.97	B	1.45
600	11.82	5.70	4.47	C	1.67
650	12.32	6.20	4.97		
700	12.82	6.70	5.47		
750	13.32	7.20	5.97		
800	13.82	7.70	6.47		

NO.	REVISION	BY & DATE	CHK	ANG	±1/2"	FINISH	CAD FILE	028949	SIZE	DRAWING NO.	REV.
									B	028949	
<p>THIS DRAWING IN DESIGN AND DETAIL IS OUR PROPERTY AND MUST NOT BE USED EXCEPT IN CONNECTION WITH OUR WORK ALL RIGHTS OF DESIGN AND INVENTION ARE RESERVED THIS IS AN ELECTRONICALLY GENERATED DOCUMENT - DO NOT SCALE THIS PRINT</p>						<p>REGAL-BELOIT CORPORATION</p>		<p>TITLE: OUTLINE - 56 FRAME DRIP PROOF - RESILIENT</p>		<p>SCALE: 3=8</p>	
<p>UNLESS SPECIFIED</p>						<p>DEC. INCHES</p>		<p>.X ±.1</p>		<p>APPD</p>	
<p>.XX ±.03</p>						<p>TITLE</p>		<p>SCALE</p>		<p>3=8</p>	
<p>.XXX ±.005</p>						<p>MAT'L</p>		<p>REF</p>		<p>FMF</p>	
<p>.XXXX ±.0005</p>						<p>FINISH</p>		<p>PREV</p>		<p></p>	