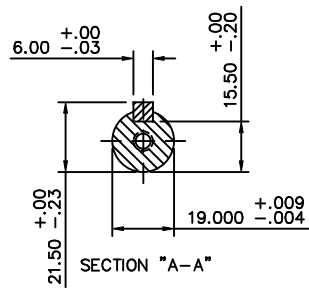
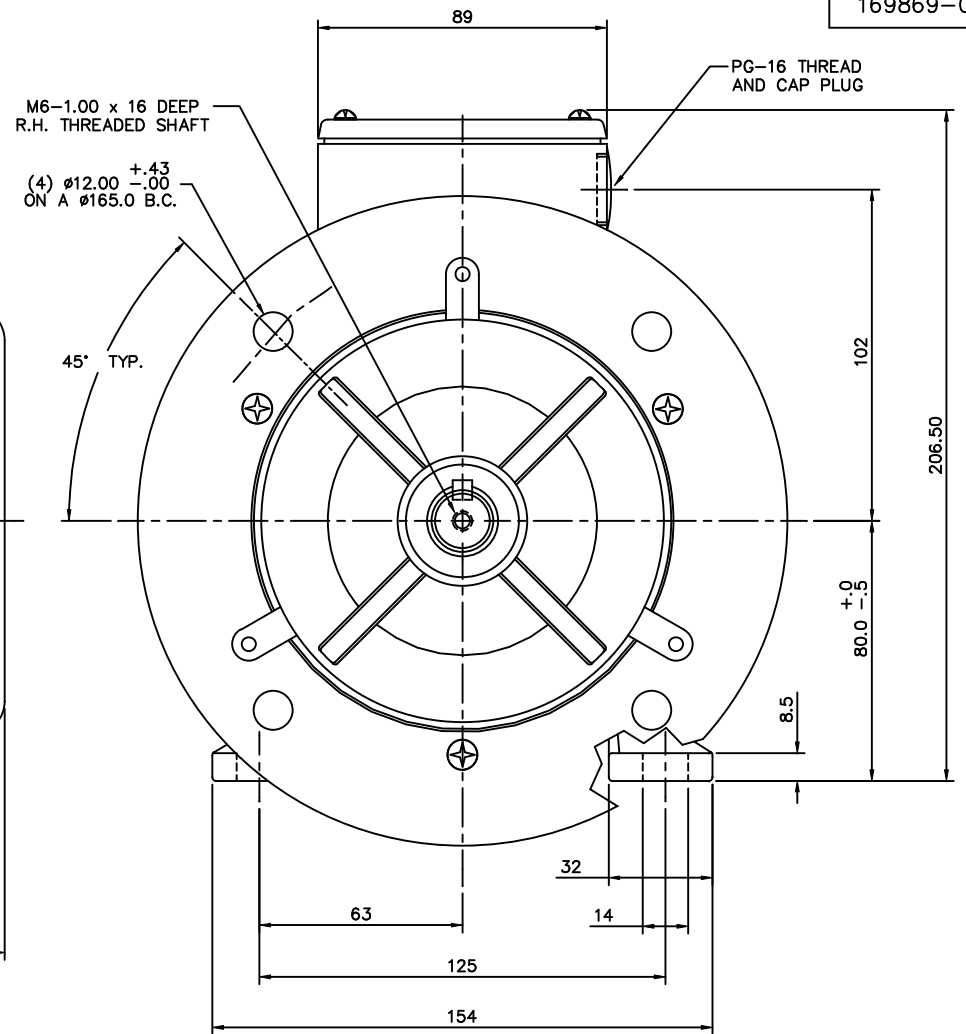
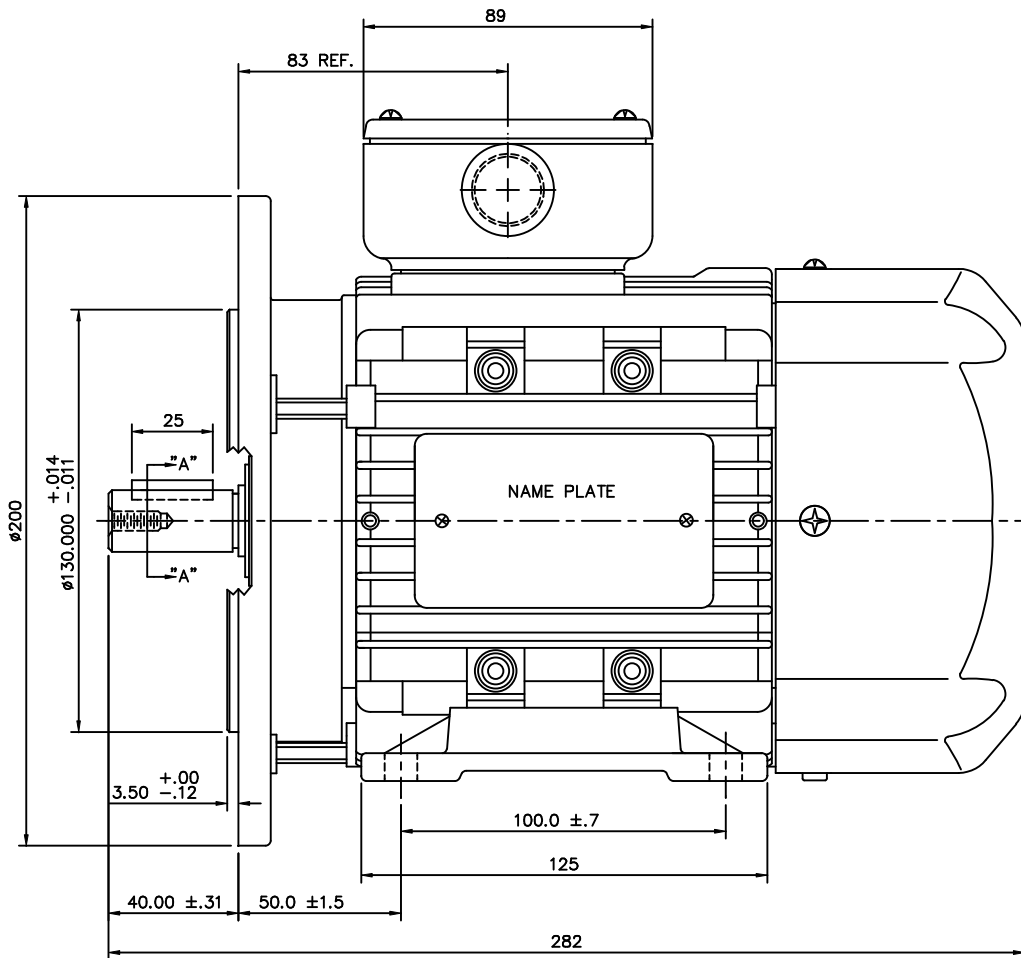


169869-00



				TOLERANCES UNLESS SPECIFIED		<b>LEESON</b>	ELECTRIC MOTORS GEARMOTORS AND DRIVES	DRAWN
				DEC.	INCHES			ADS 01/22/02
				.X	±.1			CHK
				.XX	±.03	TITLE	METRIC OUTLINE, IMB35	APPD
				.XXX	±.005	IEC-80 FRAME TEFC RIGID W/B5 FLANGE		SCALE 1=1.5
01	CHANGED PART NUMBER IN TITLE BLOCK	RDW 8/17/05	KJH	.XXXX	±.0005	MAT'L	ALUMINUM	REF OSVC-300-552
NO.	REVISION	BY & DATE	CHK	ANG	±1/2"	FINISH		FMF LEESON STOCK
THIS DRAWING IN DESIGN AND DETAIL IS OUR PROPERTY AND MUST NOT BE USED EXCEPT IN CONNECTION WITH OUR WORK ALL RIGHTS OF DESIGN AND INVENTION ARE RESERVED THIS IS AN ELECTRONICALLY GENERATED DOCUMENT - DO NOT SCALE THIS PRINT				RFP		CAD FILE	16986900	PREV
				DIST		SIZE	DRAWING NO.	REV.
						B	169869-00	01