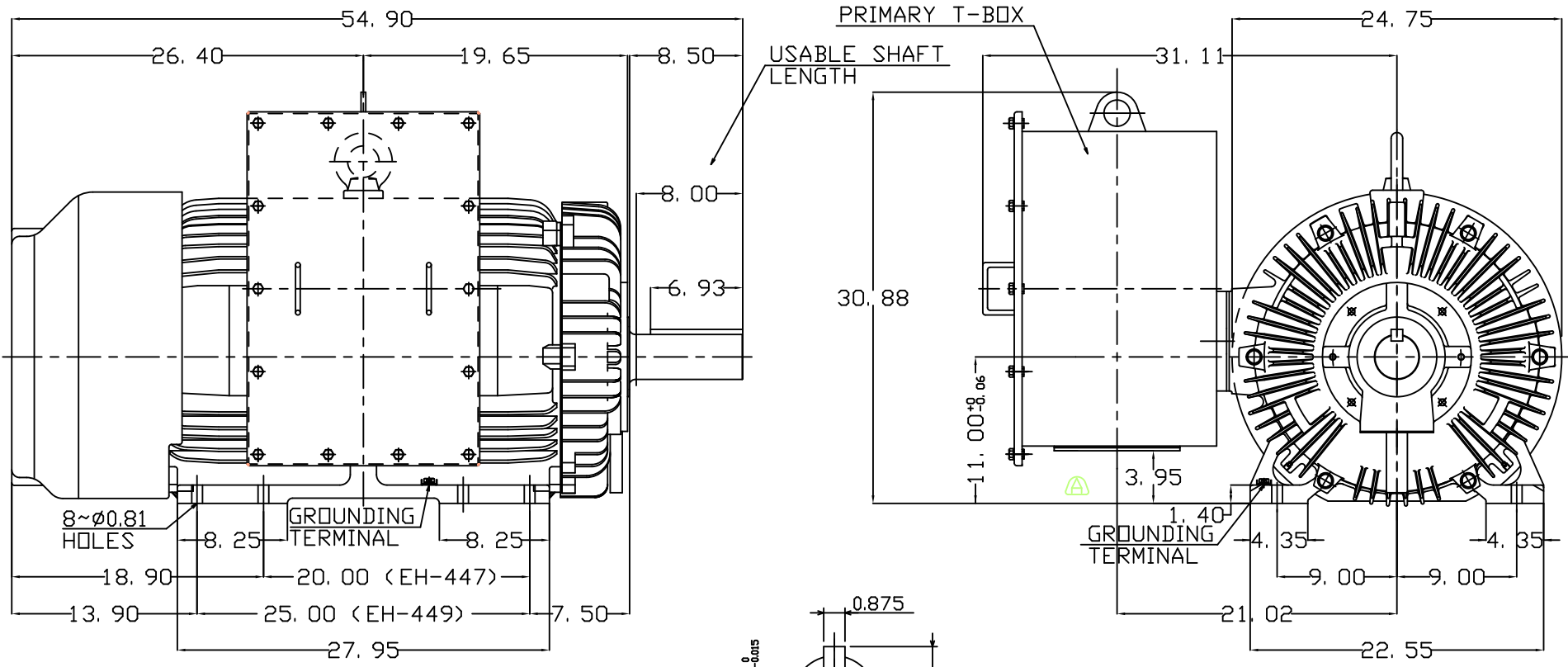


TYPE	OUTPUT		POLE	TIME RATING	VOLTAGE V	Hz	SYN.SPEED R.P.M
	HP.	kW.					
AEHH8B	200	150	6	CONT.	460	60	1200

TOTALLY ENCLOSED FAN-COOLED TYPE, SQUIRREL CAGE ROTOR



- NOTE:
1. DIMENSIONS IN INCHES
 2. FRAME NO. 449T
 3. F CLASS INSULATION, S. F. 1. 15
 4. FOR DIRECT FLEXIBLE COUPLING
 5. ENCLOSURE: IP55
 6. BEARING SIZE: DRIVE END 6320C3
NON-DRIVE END 6316C3
 7. BOTH ENDS BEARING WITH INPRO SEAL
 8. NON-SPARKING FAN
 9. MOTOR APPROX. WEIGHT: 2380 lb
 10. VIBRATION: VERTICAL/HORIZONTAL BELOW 0.08 IN/SEC
AXIAL BELOW 0.06 IN/SEC
 11. NOISE: BELOW 83dBA AT 1 METER DISTANCE NO LOAD
 12. CORROSION PROOF
 13. CLASS I , DIVISION 2 , GROUP B/C/D , T3

SHAFT END
(ENLARGED VIEW)

REMOVABLE COVER FOR CABLE ENTRY TO BE DRILLED BY THE CUSTOMER.

DATE	NOV. 3, 2014	OUTLINE DIMENSIONS	
CATALOG#	HB2006	3-PHASE INDUCTION MOTOR	
TEC Westinghouse		DWG NO.	REV:00
		31057C454970	

DWN.	C.H.SHYU	SEP-14 -2013
CHKD.	K.L.KOU	SEP-14 -2013
APPD.	S.H.LIN	SEP-14 -2013