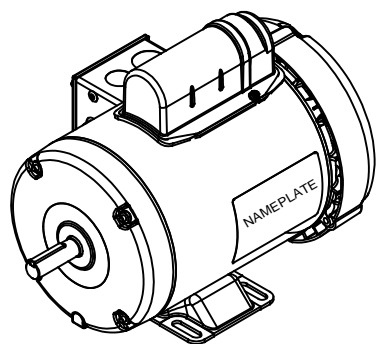
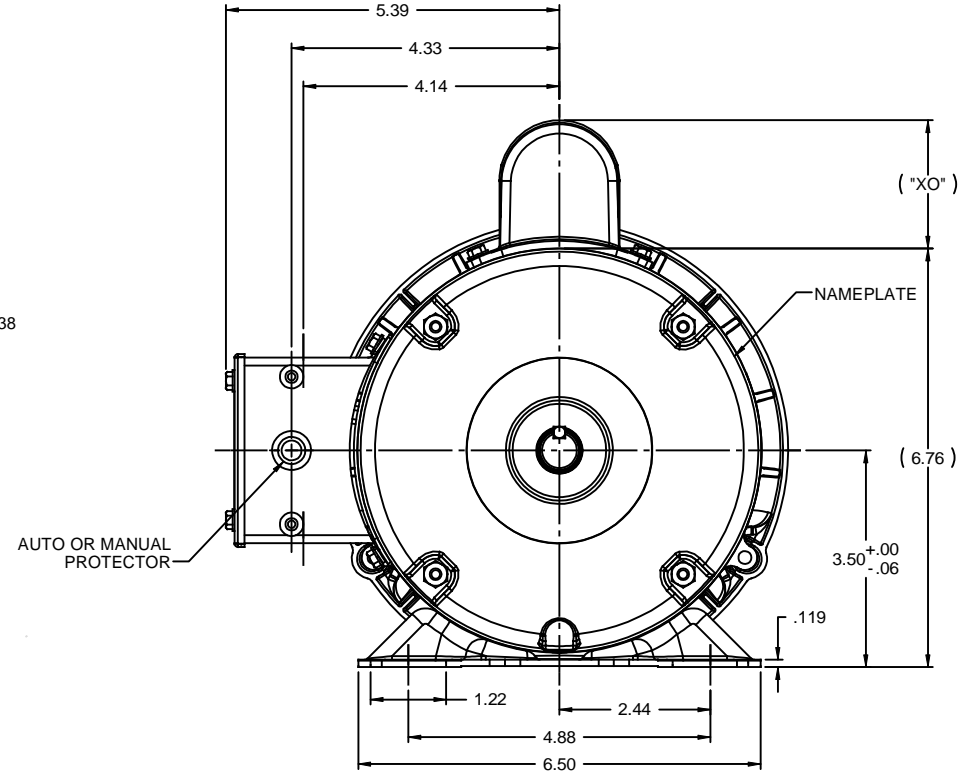
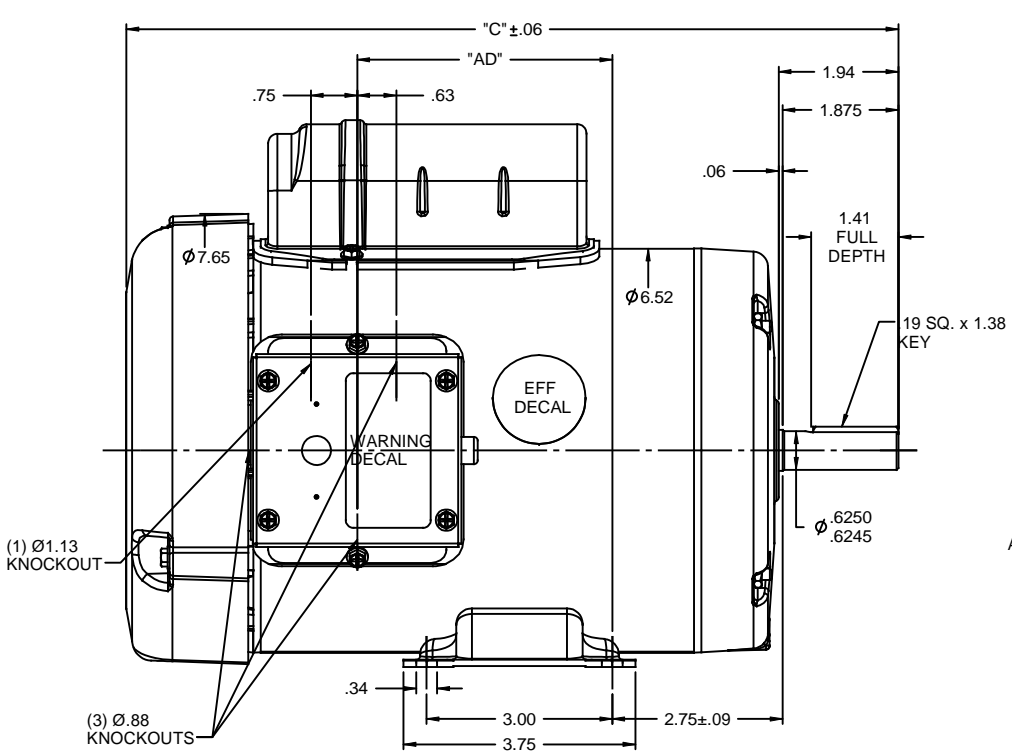


RBC PROPRIETARY AND CONFIDENTIAL INFORMATION
 This document is the property of REGAL BELOIT CORPORATION ("RBC") including its subsidiaries and divisions and contains proprietary information of RBC. This document is loaned on the express condition that neither it nor the information contained therein shall be disclosed to others without the express written consent of RBC, and that the information shall be used by the recipient only as approved expressly by RBC. This document shall be returned to RBC upon its request. This document may be subject to certain restrictions under U.S. export control laws and regulations.



DASH NO.	"C"	"AD"	CAP DASH	"XO"
500	10.48	2.13	A	1.61
550	10.98	2.63	B	2.08
600	11.48	3.13	C	2.32
650	11.98	3.63		
700	12.48	4.13		

NOTES:
 1) GASKETS THROUGHOUT

		TOLERANCES UNLESS SPECIFIED:		LEESON ELECTRIC MOTORS GEARMOTORS AND DRIVES	DRAWN DJ 09/04/08
		DEC	INCHES		CHK
		x	±.1	APPR	
		.xx	±.03	TITLE	OUTLINE - 56 FRAME
		.xxx	±.005	REF	TEFC - RIGID
01	ADD "AUTO OR MAN. PROT." PER ISAAC 09-5354	LST 12/16/2009	XX .xxx ±.0005	MATL	110017.00
NO	REVISION	BY & DATE	CHK ANG ±1/2"	FINISH	GENERAL PURPOSE
			RFP	PREV	
		THIRD ANGLE PROJECTION	NETWORK FILE NAME	SIZE	DRAWING NO
				B	028879
					REV 01