

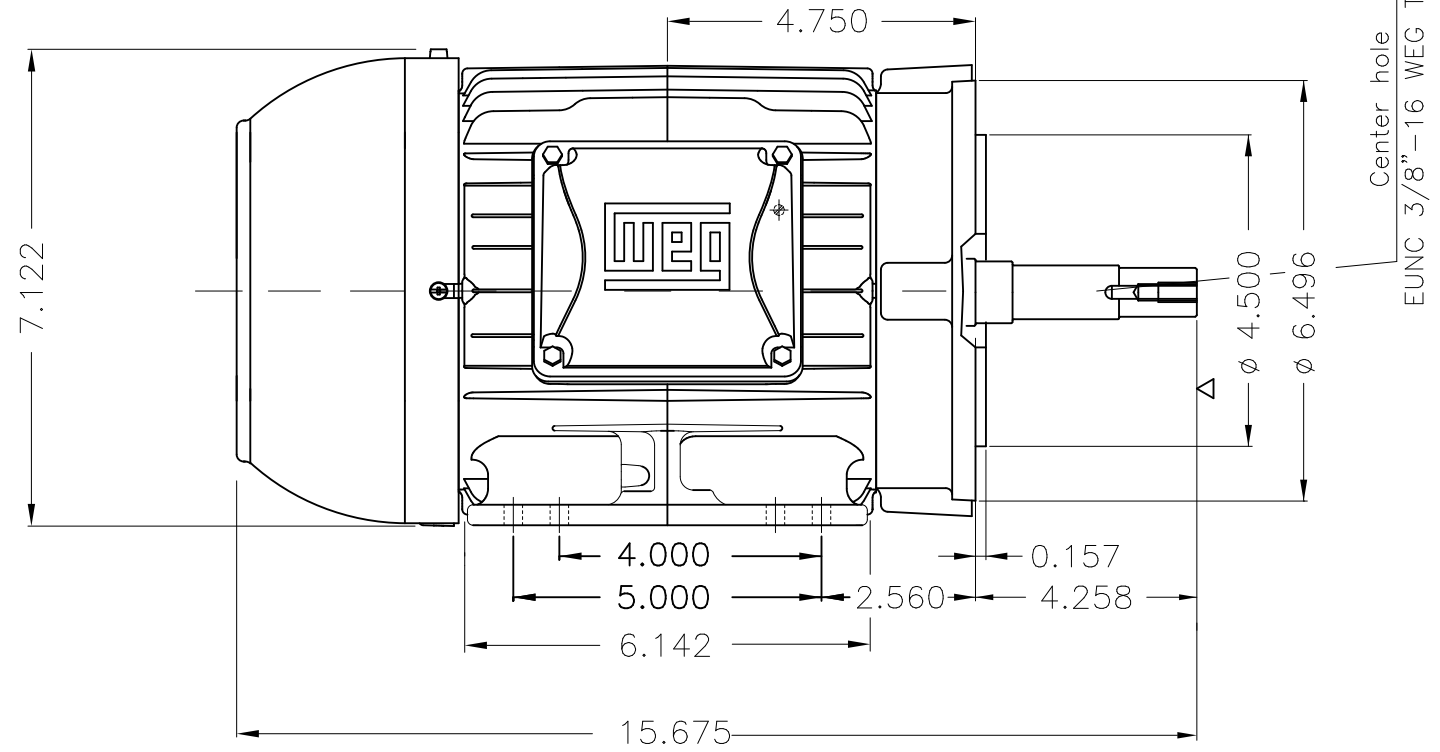
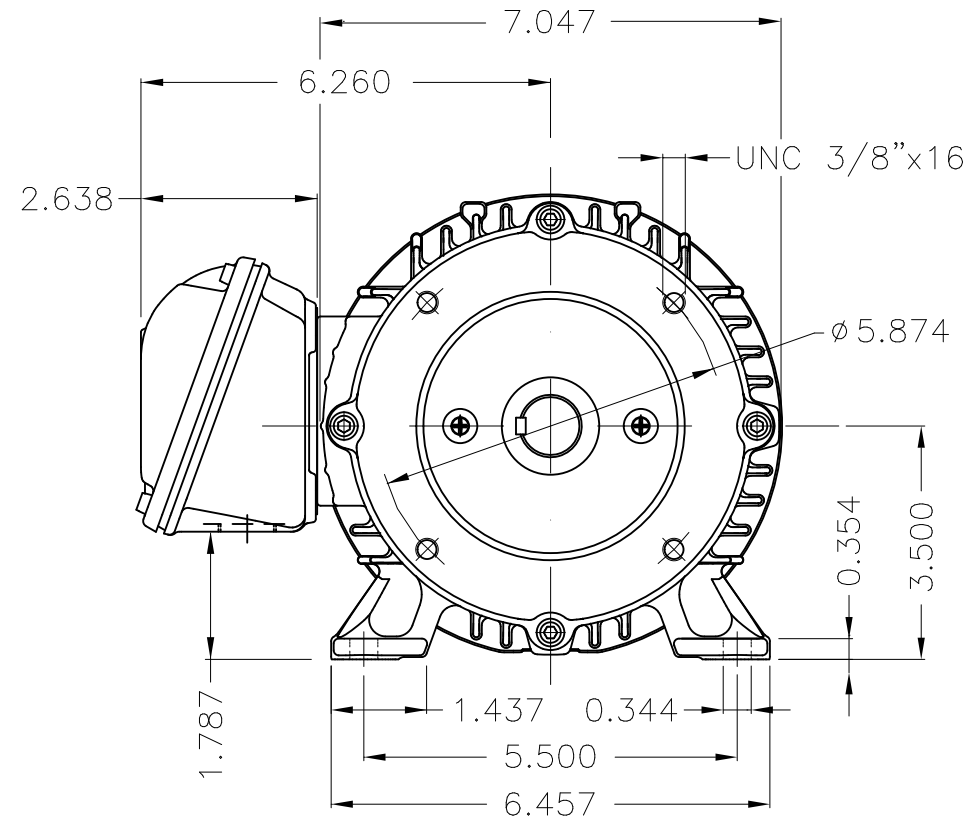
Dimensões em polegada
Dimensions in inches

THIS IS AN UPDATED REVISION, THE
PREVIOUS ONE MUST BE DISREGARDED.

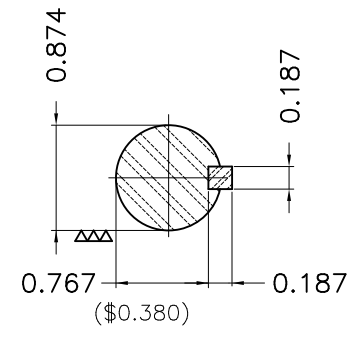
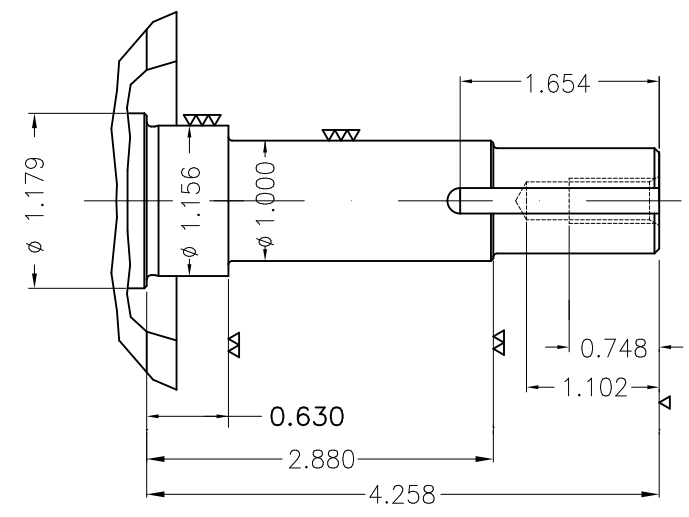


Grounding for leads 0.5–6 mm² / 20–10 AWG

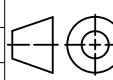
Main terminal box



Center hole
EUNC 3/8"–16 WEG TBG253



Color RAL 5009
Painting plan 207A
Mounting B34R(D)

| ECM | LOC | SUMMARY OF MODIFICATIONS | EXECUTED | CHECKED | RELEASED | DATE | VER |
|----------|------------|--|---------------------|---------|----------|------|-----|
| EXECUTED | USERADMIN |  THREE PHASE MOTOR W22 NEMA PREMIUM EFF. FRAME 143/5JM IP55 TEFC WEG code: 11524270 | | | | | |
| CHECKED | | | | | | | |
| RELEASED | | | | | | | |
| REL DT | 24.07.2017 | WMO Jaragua do Sul | Product Engineering | SHEET | 1 / 1 | | |

2 HP 04 Poles 60Hz

A

