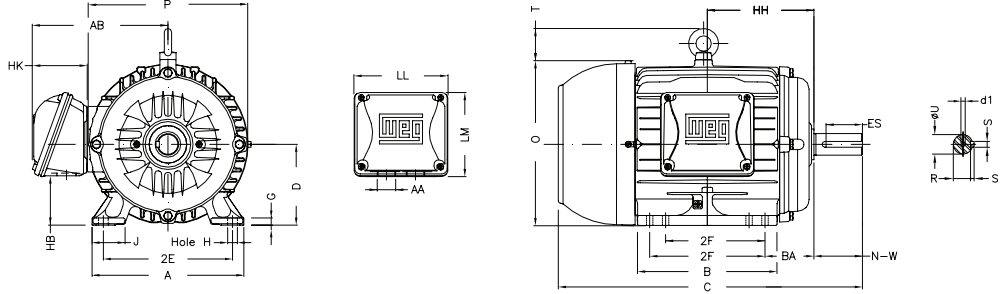


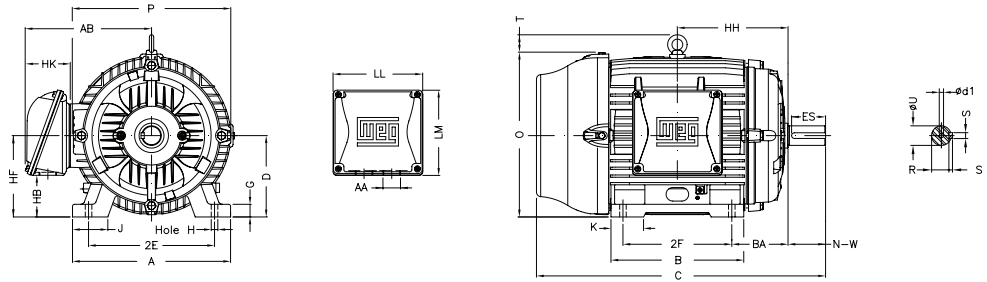
W22 IEEE 841-2009 Motors

TEFC - Severe Duty - Mechanical Data

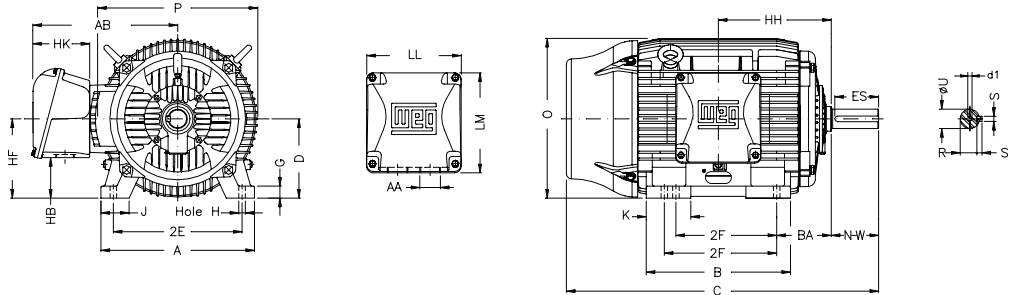
Frames 143T to 184T



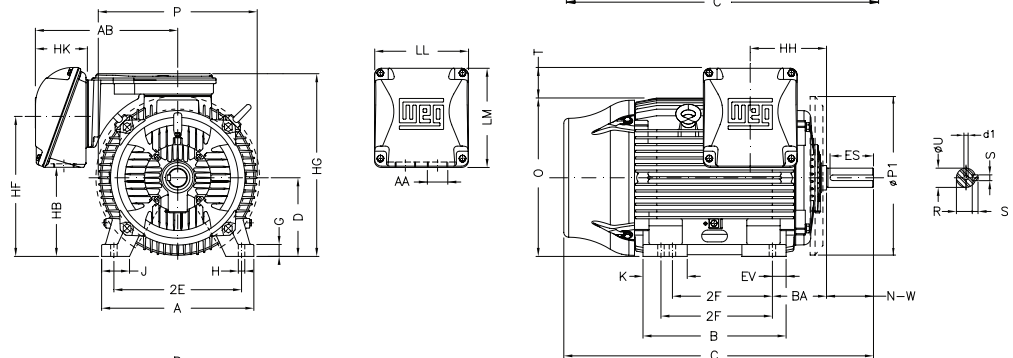
Frames 213T to 326T



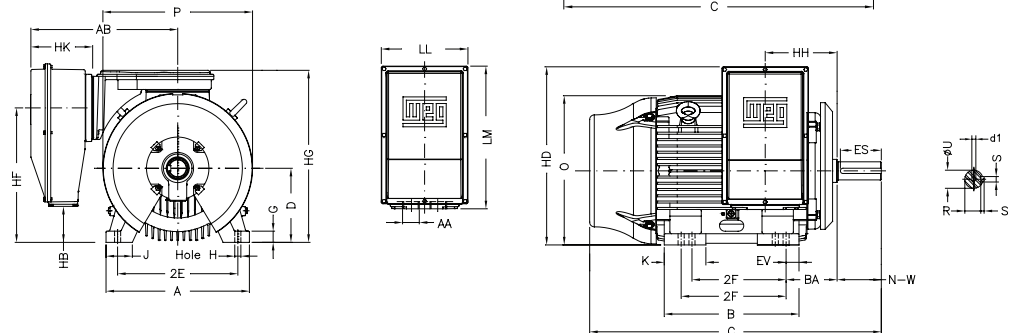
Frames 364 to 444/5T



Frames 445/7T to 586/7T



Frame 588/9T





W22 IEEE 841-2009 Motors

TEFC - Severe Duty - Mechanical Data

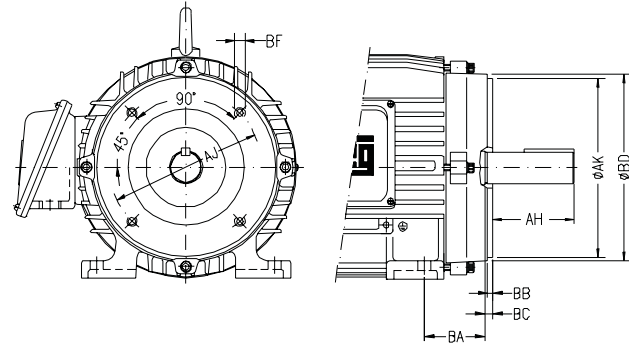
NEMA Frames	MOUNTING				A	B	C	D	G	J	O	K	P	T	KEYWAY			SHAFT EXTENSION			
	2E	2F	H	BA											S	R	ES	N-W	U		
143/5T	5.500	5.000	0.344	2.250	6.457	6.142	13.346	3.500	0.354	1.437	7.122	-	7.047	-	0.187	0.765	1.575	2.250	0.875		
182/4T	7.500	5.500	0.406	2.750	8.661	6.969	15.860	4.500	0.394	1.594	9.343	-	8.740	1.772	0.250	0.984	1.969	2.750	1.125		
213/5T	8.500	7.000		3.500	9.764	8.858	19.517	5.250	0.827	1.988	10.841	2.165	10.669		0.313	1.203	2.480	3.375	1.375		
254/6T	10.000	10.000	0.531	4.250	12.126	11.732	24.945	6.250		2.539	12.598	2.559	12.953	2.087	0.375	1.406	2.756	4.000	1.625		
284/6TS	11.000	11.000		4.750	13.780	13.071	26.557	7.000	1.023	3.110	14.067	2.874	14.173		0.375	1.406	2.480	3.250	1.625		
284/6T			29.616	27.929	1.594	3.149	4.622							1.875							
324/6TS	12.500	12.000	0.657	5.250	15.157	14.567	29.616	8.000	1.300	3.189	15.953	3.189	15.827	2.441	0.500	1.594	2.756	3.750	1.875		
324/6T																31.116	31.116	1.844	3.937	5.250	2.125
364/5TS	14.016	11.260 / 12.244	0.660	5.875	17.165	16.220	32.276	9.000	1.480	3.150	17.957	4.921	17.914			1.591	1.968	3.748	1.875		
364/5T																34.251	34.251	0.625	2.019	4.330	5.874
404/5TS	15.984	12.244 / 13.740	0.810	6.625	19.921	18.386	36.732	10.000	1.811		19.566	5.669	19.134			0.500	1.842	2.756	4.250	2.125	
404/5T																39.730	39.730	0.750	2.449	5.512	7.250
444/5TS		14.500 / 16.500	0.810	7.500	21.929	20.315	41.200		1.630	3.937		5.866	23.583			0.625	2.021	3.000	4.750	2.375	
444/5T																44.950	44.950	0.875	2.880	7.087	8.500
445/7TS	18.000	16.500 / 20.000	0.810	7.500	21.929	23.897	44.951		1.654		22.795	6.692	25.866			0.625	2.021	3.000	4.750	2.375	
445/7T																48.701	48.701	0.875	2.880	7.087	8.500
447/9TS		20.000 / 25.000	0.810	7.500	21.929	31.535	52.588		1.630		4.331	6.692	25.866			0.625	2.021	3.000	4.750	2.375	
447/9T																56.338	56.338	0.875	2.880	7.087	8.500
L447/9TS		20.000 / 25.000	0.810	7.500	21.929	31.535	53.431		1.630		3.937	23.874	8.780	25.866			0.625	2.021	3.000	4.750	2.375
L447/9T																	57.181	57.181	0.875	2.880	7.087
504/5TS	20.000	16.000 / 18.000	1.250	8.500	24.724	24.449	48.215	12.500	2.146	4.724	25.425	7.228	25.866			0.625	2.021	3.000	4.750	2.375	
504/5T																54.095	54.095	0.875	3.134	8.661	10.630
586/7TS	23.000	22.000 / 25.000	1.181	10.000	29.528	29.921	55.027				9.055	28.977				0.625	2.021	3.000	4.750	2.375	
586/7T																61.902	61.902	1.000	3.312	8.661	11.625
588/9TS		28.000 / 32.000	1.181	10.000	29.528	37.980	62.506	14.500	2.492	5.512	28.985	12.795	28.977			0.625	2.021	3.000	4.750	2.375	
588/9T																69.381	69.381	1.000	3.312	8.661	11.625

NEMA Frames	TERMINAL BOX										d1	BEARINGS	
	AB	HB	HF	HG	HH	HK	LL	LM	AA	D.E.		N.D.E.	
143/5T	6.181	1.728	3.500	-	4.750	2.638	4.527	4.094	NPT3/4"	A 4	6205	6204	
182/4T	7.559	2.236	4.500		5.500	3.110	5.512	5.236	NPT1"		6207	6206	
213/5T	8.583	3.006	5.250		7.000						6308	6207	
254/6T	10.394	3.061	6.565		9.250						6309 C3	6209 C3	
284/6TS	10.984	3.535	7.000		10.250	3.937	7.795	7.402	NPT1 1/2"		6311 C3	6211 C3	
284/6T	10.984	3.535	7.000								6312 C3	6212 C3	
324/6TS	12.480	4.811	8.708		11.250	4.645	8.976	8.543	NPT 2"				
324/6T	12.480	4.811	8.708										
364/5TS	16.378	4.055	-		12.362	6.378	9.646	10.119	NPT 3"		6314 C3	6314 C3	
364/5T		5.040			14.213						6316 C3		
404/5TS	18.386	5.394	-	15.748	5.787	11.811	11.890	2xNPT 3"	6314 C3	6316 C3			
404/5T									6319 C3		6316 C3		
444/5TS	20.670	12.598	20.724	26.850	11.803	6.968	14.646	15.040	6314 C3	6314 C3			
444/5T									6319 C3		6316 C3		
445/7TS	23.071	11.417	20.551	28.236	11.500	8.464	15.906	17.244	6314 C3	6314 C3			
445/7T									6322 C3		6319 C3		
447/9TS	20.670	15.275	24.291	29.409	10.394	6.968	14.646	15.040	6314 C3	6314 C3			
447/9T									6319 C3		6316 C3		
L447/9TS	23.071	11.417	20.551	28.236	11.500	8.464	15.906	17.244	6314 C3	6314 C3			
L447/9T									6322 C3		6319 C3		
504/5TS	20.670	15.275	24.291	29.409	10.394	6.968	14.646	15.040	6314 C3	6314 C3			
504/5T									6319 C3		6316 C3		
586/7TS	23.977	17.322	26.182	33.346	13.386	8.464	15.906	17.244	6314 C3	6314 C3			
586/7T									6322 C3		6319 C3		
588/9TS	27.600	6.063	26.182	33.346	13.386	12.519 (side mounted) / 13.977 (top mounted)	17.441	28.740	UNC 7/8"-9	6314 C3			
588/9T									UNC 3/4"-10		6314 C3		
									UNC 7/8"-9	6322 C3	6319 C3		

W22 IEEE 841-2009 Motors

TEFC - Severe Duty - Mechanical Data

"C" FLANGE DIMENSIONS									
NEMA FRAMES	BA	AJ	AK	BD	BF		BB	BC	AH
					NUMBER	TAP SIZE			
143/5TC	2.250	5.875	4.500	6.500	4	UNC 3/8"x16	0.156	0.125	2.125
182/4TC	2.750					UNC 1/2"x13			2.625
213/5TC	3.500	7.250	8.500	8.875		3.125			
254/6TC	4.250					3.750			
284/6TC	4.750	9.000	10.500	11.031		4.375			
284/6TSC						3.000			
324/6TC	5.250			13.583		5.000			
324/6TSC						3.500			
364/5TC	5.875	11.000	12.500			5.625			
364/5TSC				15.551		3.500			
404/5TC	6.625					7.000			
404/5TSC						4.000			
444/5TC					8.250				
444/5TSC					4.500				
445/7TC	7.500	14.000	16.000		8.250				
445/7TSC					4.500				
447/9TC					8.250				
447/9TSC				17.913	4.500				
504/5TC	8.500				10.375				
504/5TSC					4.500				
586/7TC		14.500	16.500		11.375				
586/7TSC					4.500				
588/9TC	10.000				11.375				
588/9TSC					4.500				



"D" FLANGE DIMENSIONS							
NEMA FRAMES	BA	AJ	AK	BD	BF		BB
					NUMBER	TAP SIZE	
143/5TD	2.250	10.000	9.000	11.000	4	0.562	0.203
182/4TD	2.750						
213/5TD	3.500						
254/6TD	4.250	12.500	11.000	14.000			
284/6TD	4.750						
284/6TSD	5.250	16.000	14.000	18.000			
324/6TD							
324/6TSD							
364/5TD	5.875	20.000	18.000	21.653	8	0.828	0.250
364/5TSD							
404/5TD	6.625						
404/5TSD							
444/5TD							
444/5TSD							
445/7TD	7.500	22.000	18.000	24.803			
445/7TSD							
447/9TD							
447/9TSD		30.000	28.000	32.000			
504/5TD	8.500						
504/5TSD							
586/7TD	10.000						
586/7TSD							
588/9TD							
588/9TSD							

